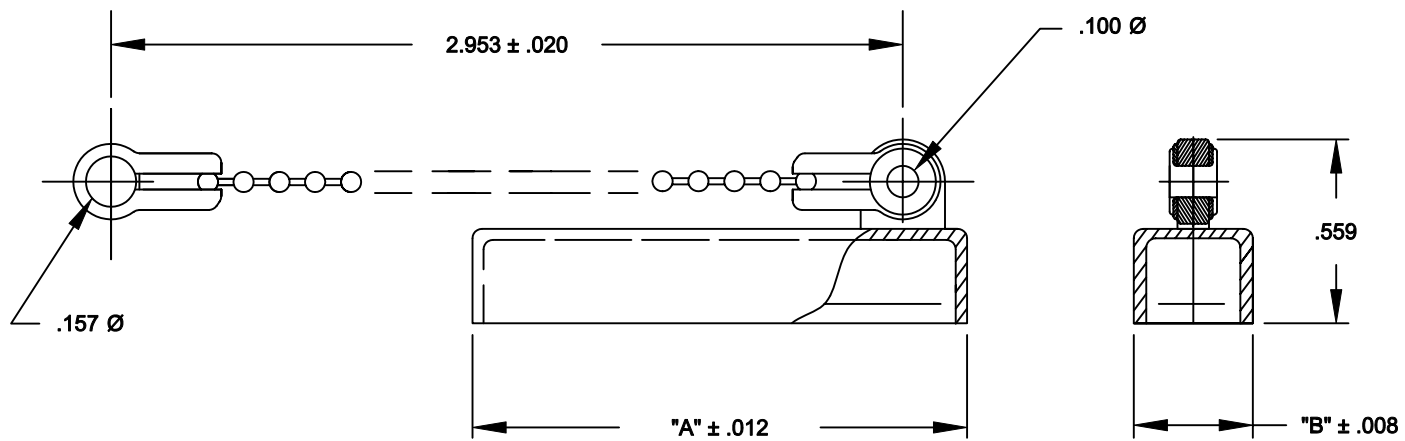


DESCRIPTION: MALE DUST CAPS W/LANYARD



**MATERIAL CHART**


SHELL SIZE	"A"	"B"	PART NUMBER SEE MATERIAL CHART
09	0.772	0.437	160-000-109R00Y
15	1.094	0.437	160-000-115R00Y
25	1.646	0.437	160-000-125R00Y
37	2.260	0.437	160-000-137R00Y
50	2.177	0.543	160-000-150R00Y

160-000-1YYR00Y  
SHELL SIZE

- 1 = RED POLYETHYLENE (STANDARD)
- 2 = BLACK POLYETHYLENE (ANTI-STATIC)
- 3 = ABS, SELF-EXTINGUISHING UL 94V-0 - (SHIELDED)  
METALLIZED, NICKEL PLATING OVER COPPER

ALL VARIATIONS OF DUST CAP MEET PROTECTION LEVEL IP 50 REQUIREMENTS (DIN 40050)

**RoHS COMPLIANT**

	THESE DRAWINGS AND SPECIFICATIONS ARE THE PROPERTY OF NorComp AND SHALL NOT BE REPRODUCED, COPIED OR USED AS THE BASIS FOR THE MANUFACTURE OR SALE OF APPARATUS WITHOUT WRITTEN PERMISSION.		DRAWN: <b>PAM JENKINS</b>	DATE: <b>8-15-06</b>
			CHECKED:	DATE:
<h1>NorComp</h1>		SCALE:	SHEET <b>1</b> OF <b>1</b>	REV <b>1</b>
		DWG NO. <b>160-000-1YYR00Y</b>		

# Mouser Electronics

Authorized Distributor

Click to View Pricing, Inventory, Delivery & Lifecycle Information:

[NorComp:](#)

[160-000-115R002](#) [160-000-125R002](#)