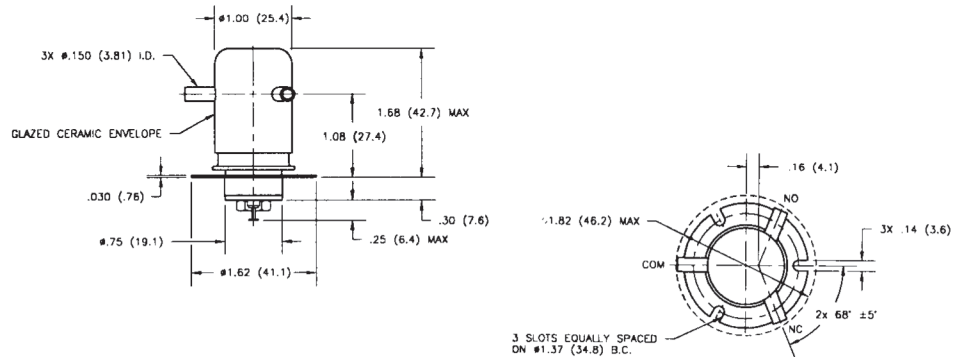
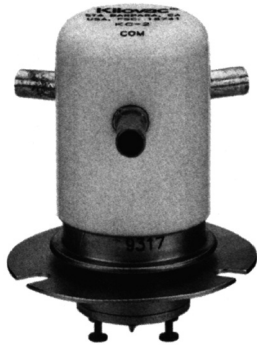


**KC Series Make & Break Load Switching — 15 kV Relays**

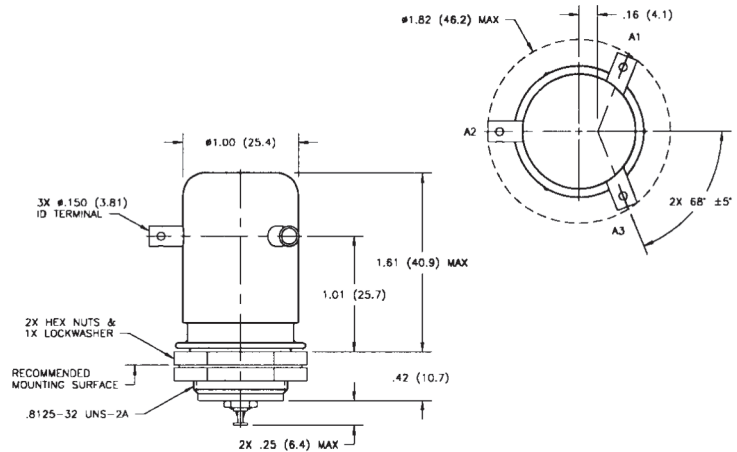
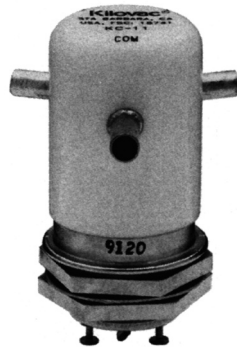
**KC-14**



**KC-18**

**Product Facts for KC-14 and KC-18**

- Specifically designed for load switching applications
- Can power switch and isolate loads
- Replaces KILOVAC KC-8 and KC-12
- Meets requirements of MIL-R-83725



**Product Specifications for KC-14 and KC-18**

- Contact Arrangement** — SPDT
- Contact Form** — C
- Test Voltage, DC or 60 Hz (Peak)** — 17 kV
- Rated Operating Voltage (Peak)** — DC or 60 Hz — 15 kV
- Continuous Carry Current, Max.** — DC or 60 Hz — 30 A
- Coil Hi-Pot (Vrms, 60 Hz) — 500 A
- Contact Capacitance** — Between Open Contacts — 0.5 pF
- Open Contacts to Ground — 1 pF
- Contact Resistance, Max.** — 0.025 ohm
- Operate Time, Max.** — 15 ms
- Release Time, Max.** — 9 ms

- Shock, 11ms, 1/2 Sine (Peak)** — 50 g
- Vibration** — Peak — 10 g (55 to 500 Hz)
- Operating Ambient Temperature Range** — -55°C to +125°C
- Mechanical Life** — 1 million cycles
- Weight, Nominal** — 85 g (3 oz.)

For factory-direct application assistance, dial 800-253-4560, ext. 2055, or 805-220-2055.

**\*Hot Switching, Resistive Load Life**

Voltage	Current	Load Life Operations
330 Vdc	17 Amps	10,000
330 Vdc	5 Amps	100,000
5,000 Vdc	2 Amps	100,000
10,000 Vdc	1 Amps	50,000

\*Ratings are for normally open contacts only. No testing has been performed on normally closed contacts.

**Coil Data**

Volts, Nominal DC	12 V	26.5 V	115 V
Pickup, Max.	8 Vdc	16 Vdc	80 Vdc
Dropout	.5-5 Vdc	1-10 Vdc	5-50 Vdc
Coil Resistance (±10%)	48 Ω	180 Ω	2900 Ω

Ratings listed are for 25°C, sea level conditions

**Ordering Information**

Sample Part Number ▶ **KC- 18 /12Vdc**

**Series:** \_\_\_\_\_

**Model:** \_\_\_\_\_

14 \_\_\_\_\_ 18 \_\_\_\_\_

**Coil Voltage:** \_\_\_\_\_

Blank = 26.5 Vdc /12Vdc = 12 Vdc /115Vdc = 115 Vdc

# Mouser Electronics

Authorized Distributor

Click to View Pricing, Inventory, Delivery & Lifecycle Information:

[TE Connectivity:](#)

[KC-18/12VDC](#) [KC-14/12VDC](#) [KC-14](#) [KC-18/S7](#)