

- NOTES: (UNLESS OTHERWISE SPECIFIED)
1. MATERIAL: COPPER ALLOY
 2. PLATING: SEE TABLE 1
 3. PACKAGING PER PK-31301-319
 4. CRIMPING PER AS-560023-001
 5. PROBING THE CONTACT INTERFACE OF THE TERMINAL OR AT ANY POINT ON THE TERMINAL BEAM IS NOT PERMITTED
 6. -0422, -0424 TO BE DISCONTINUED AND REPLACED WITH -0444, -0445
-0444, -0445 VALIDATED TO USCAR21 REV3
SECTIONS 4.3, 4.4, & 4.5.2.

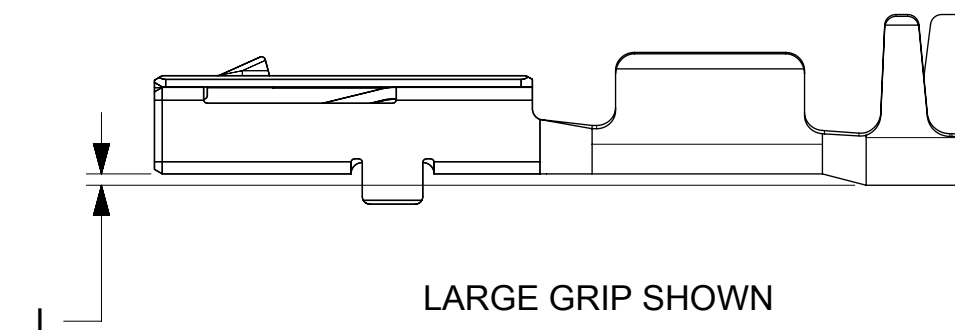
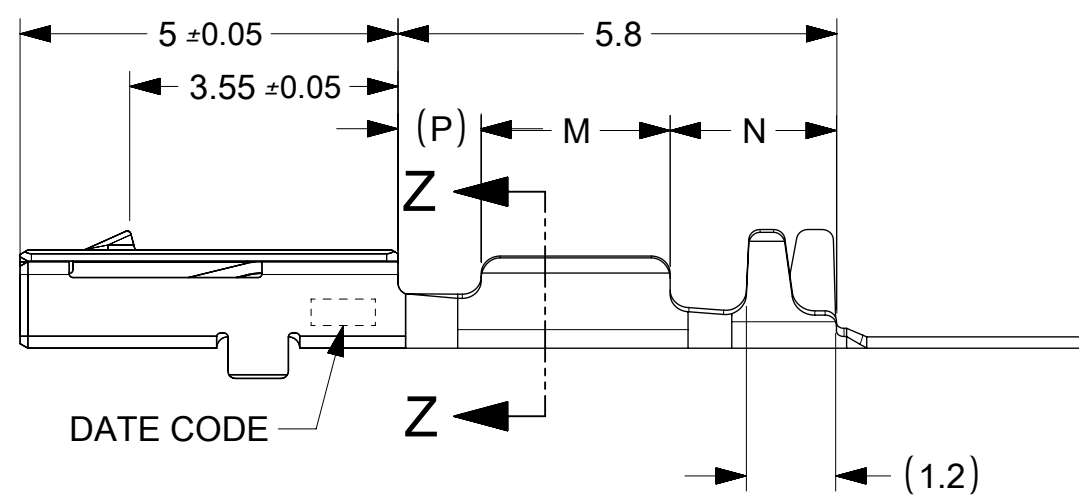
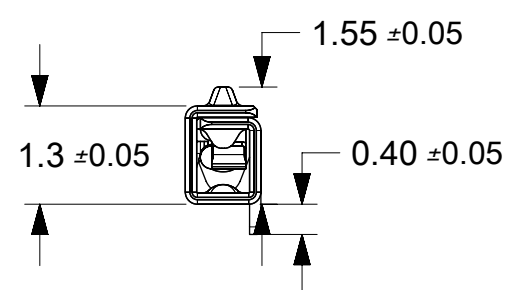


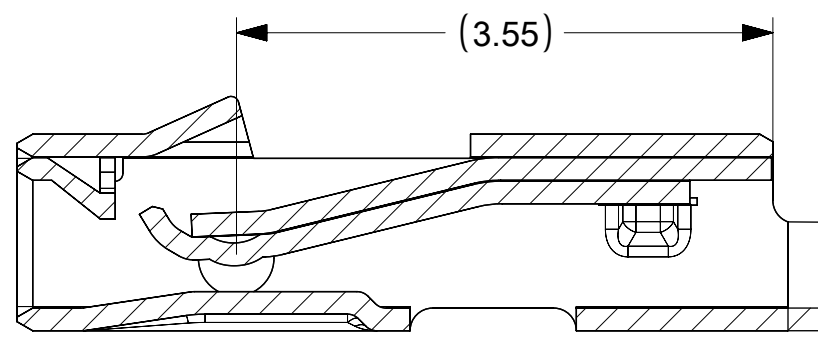
TABLE 1

PART NUMBERS		Plating	STATUS	GRIP CODE	WIRE GAGE mm ²	INSULATION MAX O.D. mm	DIM G	DIM H	DIM J	DIM K	DIM L	DIM M	DIM N	DIM P
D-WIND (LEFT PAYOFF) DEFAULT	B-WIND (RIGHT PAYOFF)						+0.20 -0.15	±0.20	±0.10	±0.20	±0.05	±0.10	±0.10	REF
560023-0421	560023-0423	Sn	SALEABLE	M	0.22	1.20	1.65	2.25	0.45	0.47	0.00	2.00	2.4	1.4
560023-0422*	560023-0424*	Sn		S	0.13	1.05	1.27	1.90	0.34	0.41	0.00	2.00	2.4	1.4
560023-0444	560023-0445	Sn		S	0.13	1.05	1.32	1.90	0.24	0.41	0.00	2.50	2.2	1.1
560023-0448	560023-0450	Sn	IN VALIDATION	L	0.35	1.40	1.65	2.35	0.40	0.68	0.15	2.50	2.2	1.1
560023-0521	560023-0523	Au		M	0.22	1.20	1.65	2.25	0.45	0.47	0.00	2.00	2.4	1.4
560023-0544	560023-0545	Au		S	0.13	1.05	1.32	1.90	0.24	0.41	0.00	2.50	2.2	1.1
560023-0548	560023-0550	Au	SALEABLE	L	0.35	1.40	1.65	2.35	0.40	0.68	0.15	2.50	2.2	1.1

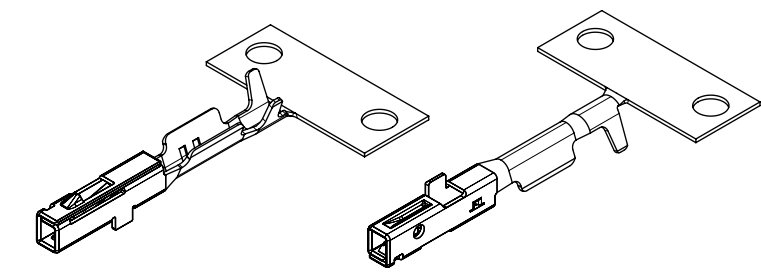
*SMALL GRIP CHANGE (SEE NOTE 6)

THIS DRAWING CONTAINS INFORMATION THAT IS PROPRIETARY TO MOLEX ELECTRONIC TECHNOLOGIES, LLC AND SHOULD NOT BE USED WITHOUT WRITTEN PERMISSION

QUALITY SYMBOLS	EC DESCRIPTION	GENERAL TOLERANCES (UNLESS SPECIFIED)	DIMENSION UNITS	SCALE	molex
▽ = 0	2018/06/05	MM INCH	mm	15:1	
▽ = 0	2018/06/07	4 PLACES ± --- ± ---	DRWN BY	DATE	CTX50 RECEPTACLE TERMINAL UNSEALED RSD
▽ = 1	2018/06/07	3 PLACES ± --- ± ---	TJSMITH	2009/05/02	
▽ = 0	2018/06/07	2 PLACES ± 0.10 ± ---	CHK'D BY	DATE	
▽ = 0	2018/06/07	1 PLACES ± 0.10 ± ---	DNICHOLAS	2009/05/20	PRODUCT CUSTOMER DRAWING
▽ = 0	2018/06/07	0 PLACES ± --- ± ---	APPR BY	DATE	
▽ = 0	2018/06/07	ANGULAR TOL = 5	BMOSER	2009/05/20	SERIES
▽ = 0	2018/06/07	DRAFT WHERE APPLICABLE MUST REMAIN WITHIN DIMENSIONS	DRAWING SIZE	THIRD ANGLE PROJECTION	MATERIAL NUMBER
▽ = 0	2018/06/07		C		CUSTOMER
▽ = 0	2018/06/07				560023
					SEE TABLE
					NIO
					DOCUMENT NUMBER
					5600230001
					DOC TYPE
					PSD
					DOC PART
					000
					SHEET NUMBER
					1 OF 1



SECTION X-X
SCALE 20:1



NOTES: (UNLESS OTHERWISE SPECIFIED)

1. MATERIAL: COPPER ALLOY
2. PLATING: SEE TABLE 1
3. PACKAGING PER PK-31301-319
4. CRIMPING PER AS-560023-001
5. PROBING THE CONTACT INTERFACE OF THE TERMINAL OR AT ANY POINT ON THE TERMINAL BEAM IS NOT PERMITTED

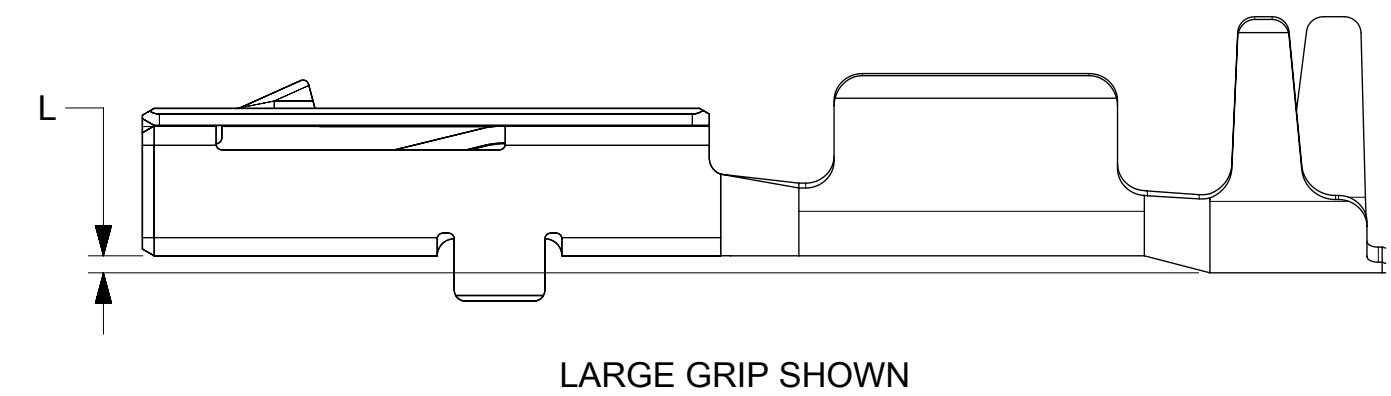
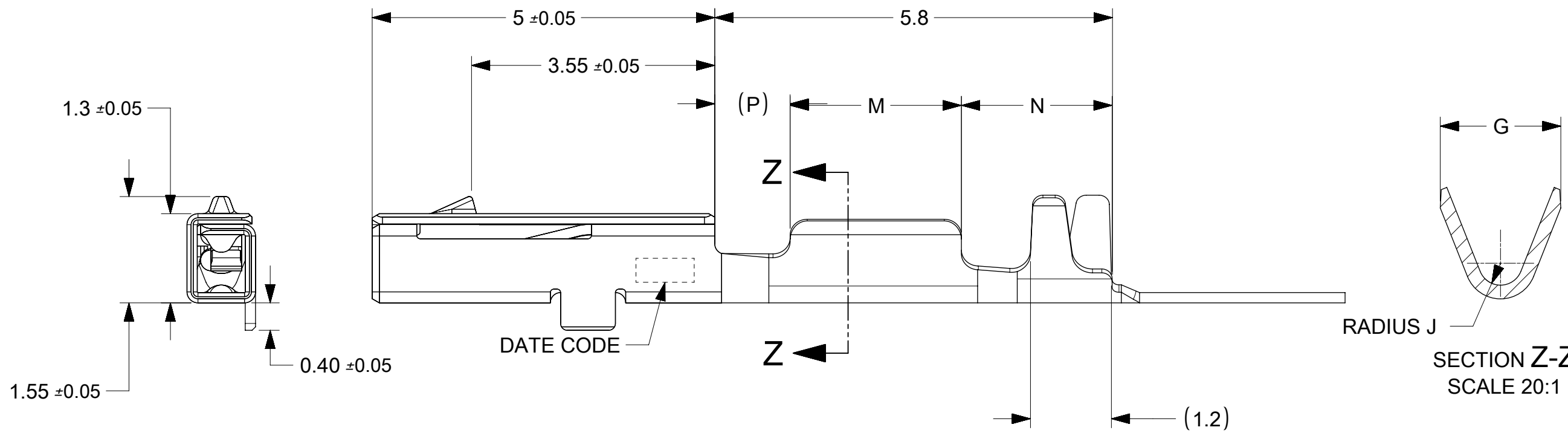
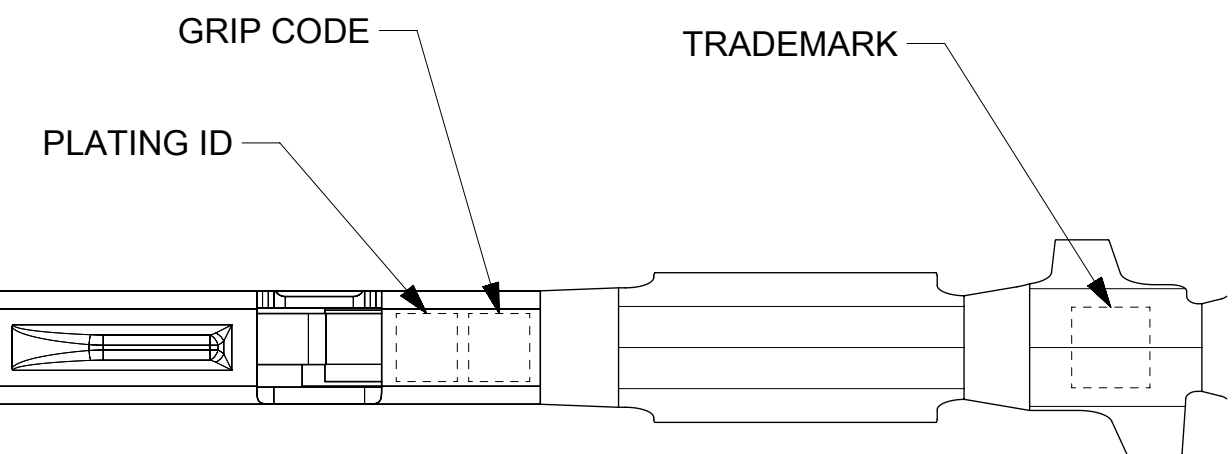
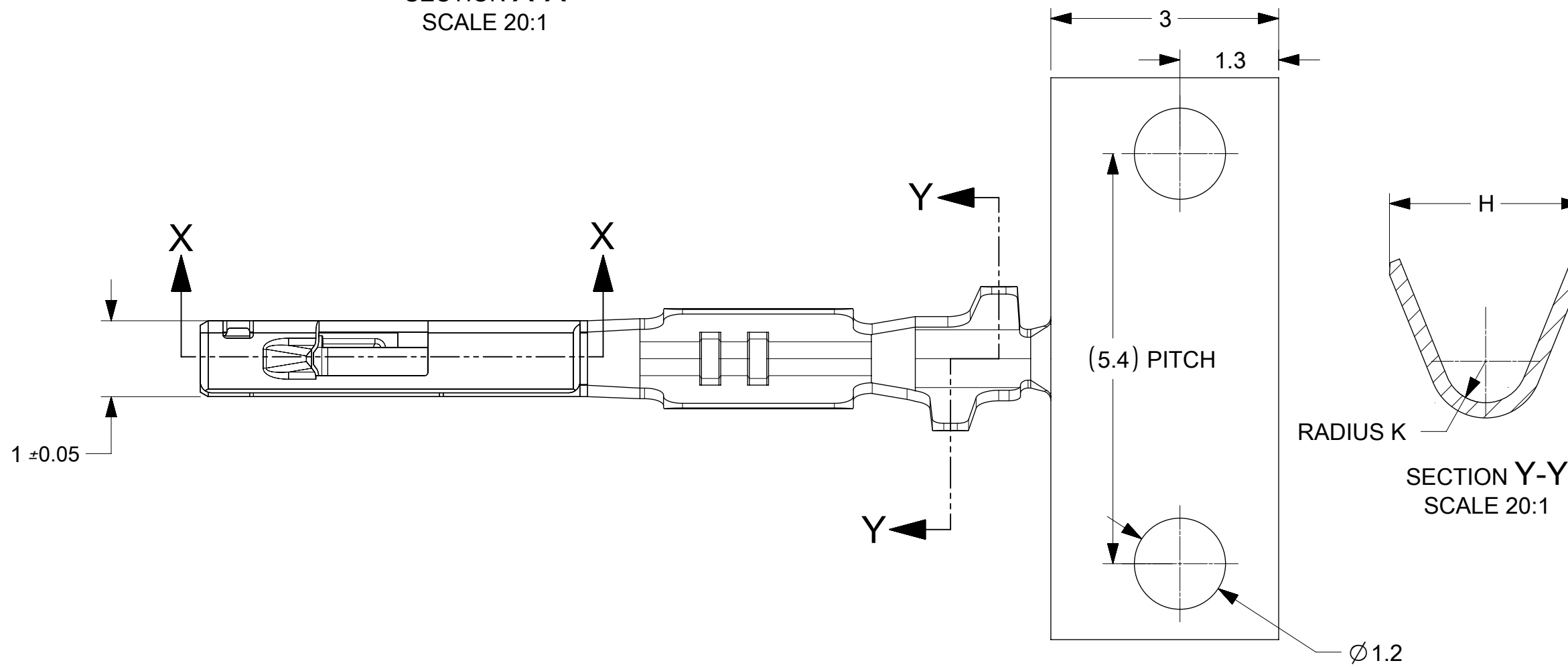


TABLE 1

PART NUMBERS		Plating	STATUS	GRIP CODE	WIRE GAGE mm ²	INSULATION MAX O.D. mm	DIM	DIM	DIM	DIM	DIM	DIM	DIM	DIM
D-WIND (LEFT PAYOFF) DEFAULT	B-WIND (RIGHT PAYOFF)						G	H	J	K	L	M	N	P
560023-0421	560023-0423	Sn	SALEABLE	M	0.22	1.05	1.65	2.25	0.45	0.47	0.00	2.00	2.4	1.4
560023-0444	560023-0445	Sn		S	0.13	1.05	1.32	1.90	0.24	0.41	0.00	2.50	2.2	1.1
560023-0448	560023-0450	Sn		L	0.35	1.40	1.65	2.35	0.40	0.68	0.15	2.50	2.2	1.1
560023-0521	560023-0523	Au	IN VALIDATION	M	0.22	1.05	1.65	2.25	0.45	0.47	0.00	2.00	2.4	1.4
560023-0544	560023-0545	Au	SALEABLE	S	0.13	1.05	1.32	1.90	0.24	0.41	0.00	2.50	2.2	1.1
560023-0548	560023-0550	Au		L	0.35	1.40	1.65	2.35	0.40	0.68	0.15	2.50	2.2	1.1

THIS DRAWING CONTAINS INFORMATION THAT IS PROPRIETARY TO MOLEX ELECTRONIC TECHNOLOGIES, LLC AND SHOULD NOT BE USED WITHOUT WRITTEN PERMISSION

QUALITY SYMBOLS	EC DESCRIPTION	GENERAL TOLERANCES (UNLESS SPECIFIED)		DIMENSION UNITS		SCALE
				mm		15:1
		4 PLACES ± --- ± ---		DRWN BY	DATE	
		3 PLACES ± --- ± ---		TJSMITH	2009/05/02	
	EC NO: 609329 DRWN: SMAHADIK CHKD: TOMSMITH REV APPR: TOMSMITH	2 PLACES ± 0.10 ± ---		CHK'D BY	DATE	
1 PLACES ± 0.10 ± ---			DNICHOLAS	2009/05/20		
0 PLACES ± --- ± ---			APPR BY	DATE		
			BMOSEY	2009/05/20		
		ANGULAR TOL = 5		DRAWING SIZE	THIRD ANGLE PROJECTION	
		DRAFT WHERE APPLICABLE MUST REMAIN WITHIN DIMENSIONS		C		

molex

CTX50 RECEPTACLE TERMINAL UNSEALED

PRODUCT CUSTOMER DRAWING

SERIES	MATERIAL NUMBER	CUSTOMER
560023	SEE TABLE	GENERAL MARKET
DOCUMENT NUMBER	DOC TYPE	DOC PART
SD-560023-002	PSD	000
SHEET NUMBER	1 OF 1	