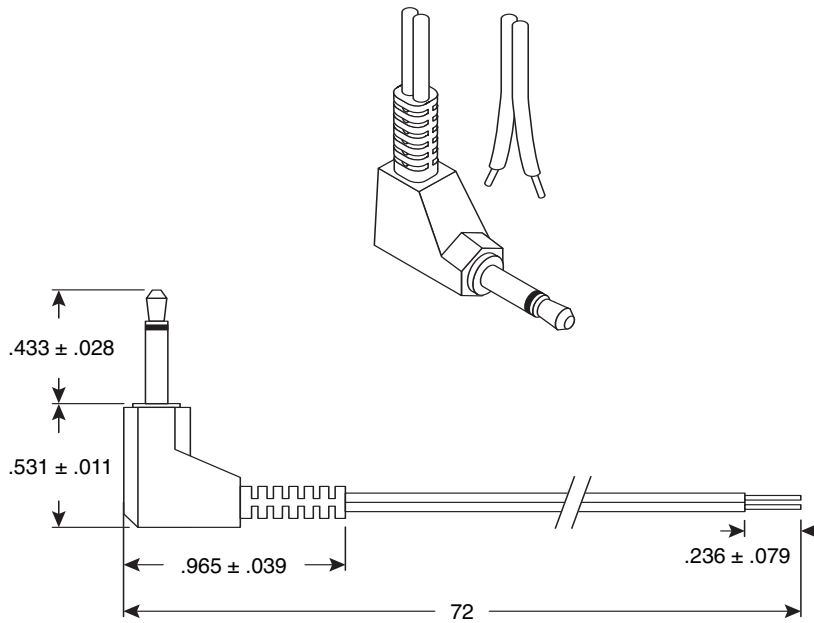


Cable Assemblies

172-2003, 172-2005



Cable Assemblies



Dimensions: In.

SPECIFICATIONS	
Type:	right angle mono phone plug to stripped & tinned
Plug:	2.5mm(172-2003), 3.5mm(172-2005)
Jacket:	PVC
Cable type:	26AWG parallel (zip cord)
Cable O.D.:	.071" x .142"
Conductor:	0.006 x 14
Temperature rating:	85°C
Color:	gray

Date Last Revised: 4-6-05

Available from Mouser Electronics
1-800-346-6873
www.mouser.com

KC- 300303

172-2003, 172-2005

Mouser Electronics

Authorized Distributor

Click to View Pricing, Inventory, Delivery & Lifecycle Information:

[Kobiconn:](#)

[172-2003](#)