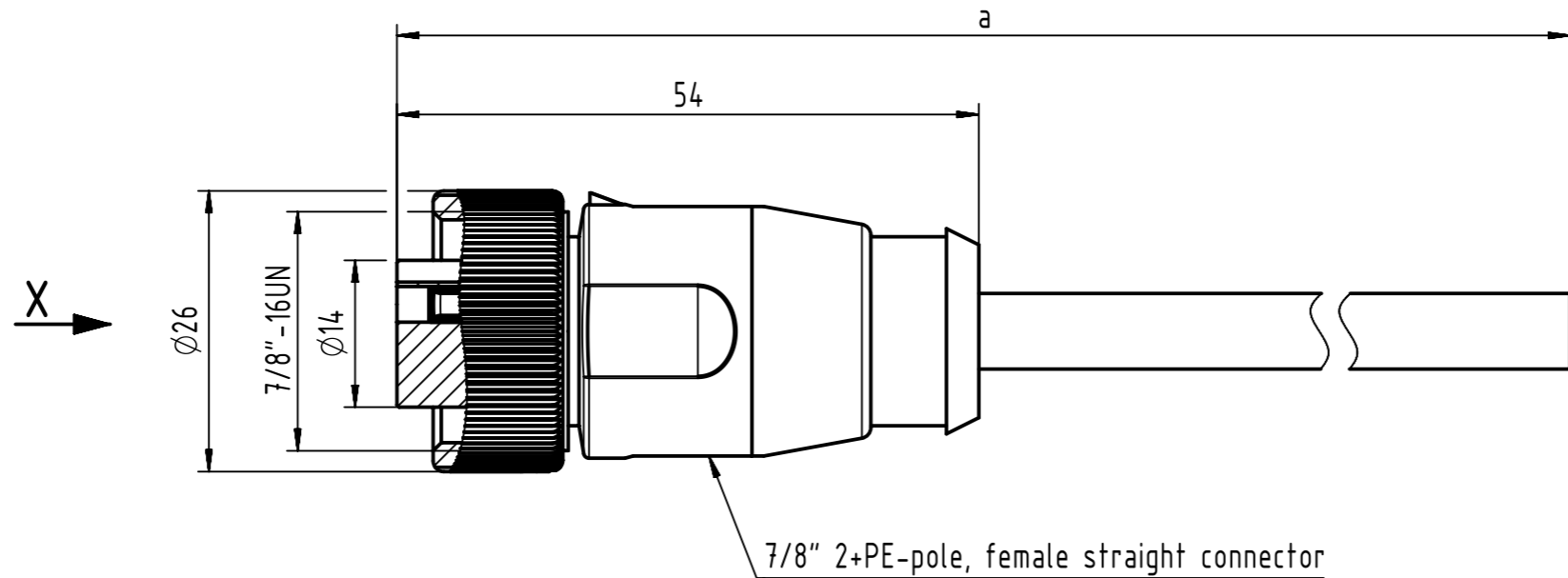
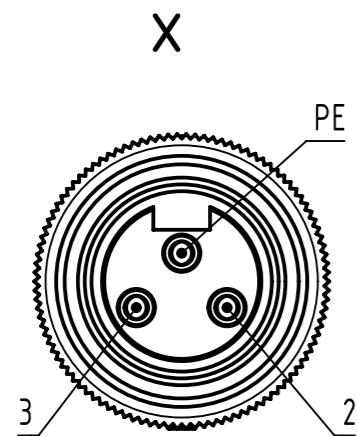


Connector Location A

Connector Location B



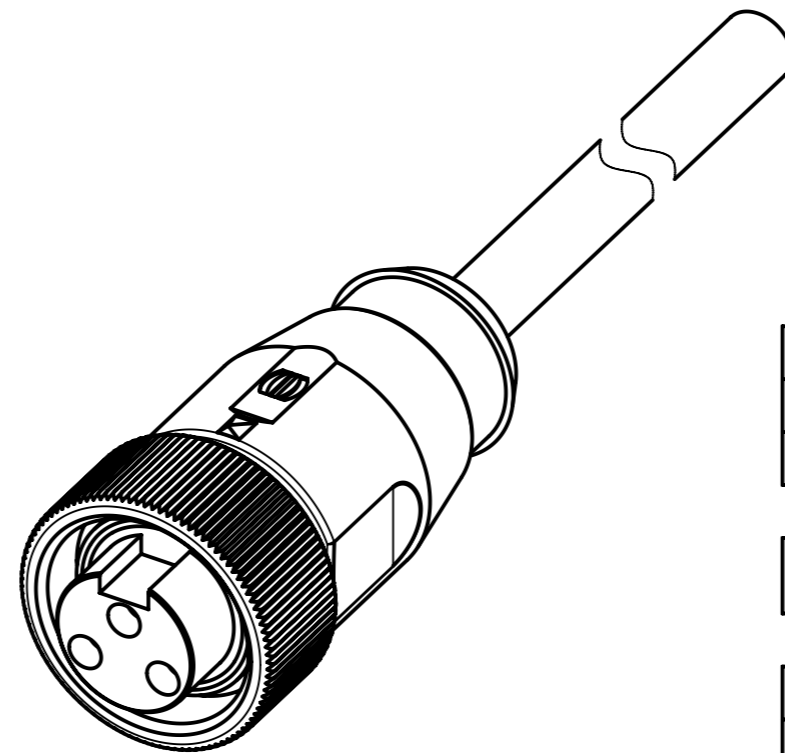
7/8" 2+PE-pole, female straight connector



Loading-Plan:

PE	green-yellow
2	brown
3	blue

- Protection level: IP67
- Temperature range: -30°C ... +80°C



length in "1m" step	100	XXX=000
	99	XXX=990
	.	.
	12	XXX=120
length in "0.1m" step	11	XXX=110
	10	XXX=100
	9.9	XXX=099
	9.8	XXX=098
	.	.
	0.4	XXX=004
	0.3	XXX=003
	0.2	XXX=002
0.1	XXX=001	
Step	a [m]	XXX

4.0 to 100	±1%
0.1 to 3.9	+0.04
a [m]	Tolerance

Part no.	213497003XXXXX
Type of cable	XX
PVC grey, 3x1.5mm ²	XX=93
PUR black, 3x1.5mm ²	XX=94

	All rights reserved	Created by COSTEA	Inspected by MUNTEANV	Standardisation MUNTEANV	Date 2018-02-28	State Final Release	
Department HCS - RO		Title 7/8" Cable Assembly				Doc-Key / ECM-Nr. 100580904/UGD/009/B 500000131592	
HARTING Customised Solutions D-32339 Espelkamp		Type TB	Number 213497003XXXXX			Rev. B	Page 1/1

Mouser Electronics

Authorized Distributor

Click to View Pricing, Inventory, Delivery & Lifecycle Information:

HARTING:

[21349700393015](#) [21349700393050](#) [21349700394100](#) [21349700394030](#) [21349700394050](#) [21349700393100](#)
[21349700393075](#) [21349700394075](#) [21349700394015](#)