

THIS DRAWING IS UNPUBLISHED.

RELEASED FOR PUBLICATION

© COPYRIGHT - By -

ALL RIGHTS RESERVED.

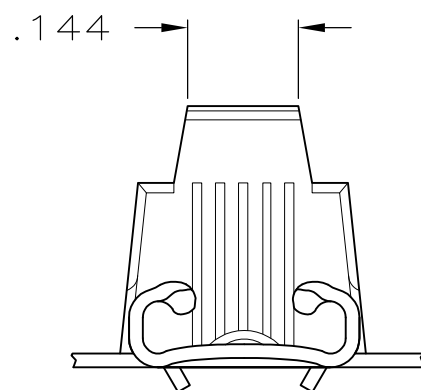
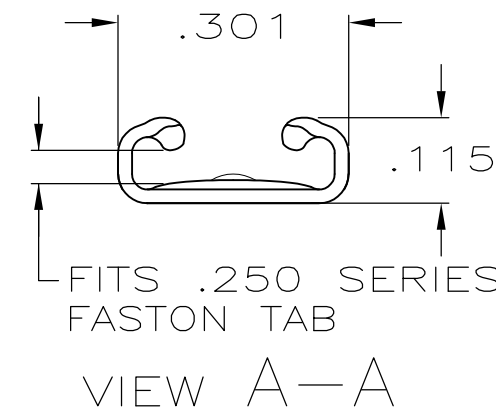
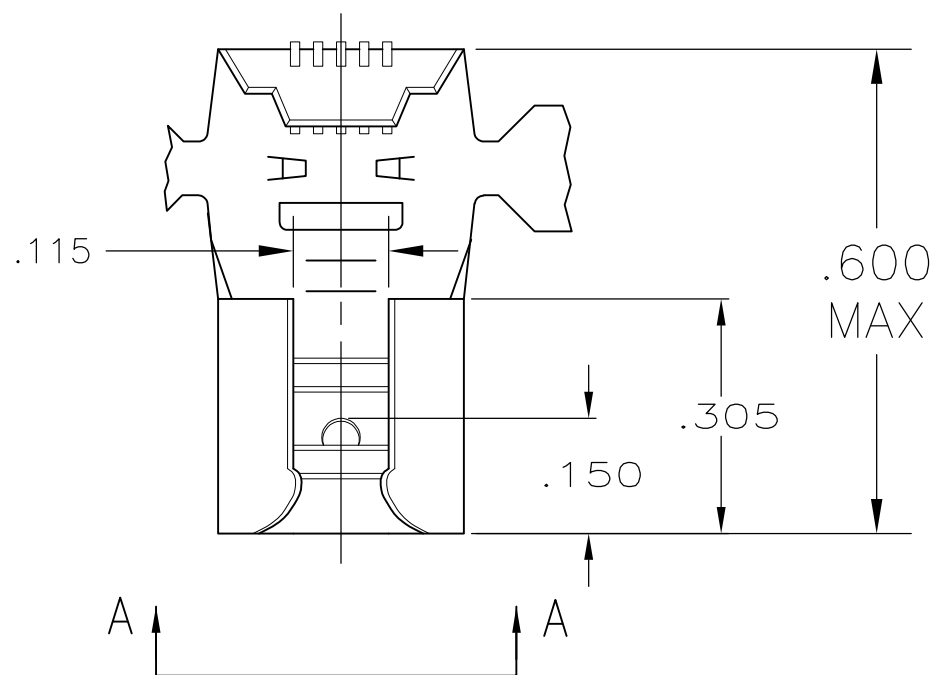
LOC
AF

DIST
50

REVISIONS

P	LTR	DESCRIPTION	DATE	DWN	APVD
	M	REVISED PER ECR-12-013459	29NOV2012	KH	PD

1 CONTINUOUS STRIP ON REELS.



OBSOLETE	LEFT HAND	18-12	.032 ±.001	---	.016 BRASS	61177-6
	RIGHT HAND	18-12	.032 ±.001	SILVER	.016 BRASS	61177-4
	LEFT HAND	18-12	.032 ±.001	PRE-TIN	BRASS	61177-3
	RIGHT HAND	18-12	.032 ±.001	PRE-TIN	BRASS	61177-2
OBSOLETE	RIGHT HAND	18-12	.032 ±.001	---	.016 BRASS	61177-1
	REELING	WIRE SIZE	TAB THK	FINISH	MATERIAL	PART NO.

THIS DRAWING IS A CONTROLLED DOCUMENT.

DWN JR RUTH 2/3/86

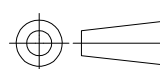
CHK M FEHER 2/6/86

APVD C MEYERS 2/7/86

STE TE Connectivity

DIMENSIONS:
INCHES

TOLERANCES UNLESS
OTHERWISE SPECIFIED:



0 PLC	± -
1 PLC	± -
2 PLC	± -
3 PLC	± .015
4 PLC	± -
ANGLES	± -

PRODUCT SPEC

APPLICATION SPEC

NAME
.250 SERIES FLAG
FASTON RECEPTACLE

MATERIAL

SEE TABLE

FINISH

SEE TABLE

WEIGHT

-

SIZE

CAGE CODE

DRAWING NO

A3 00779 C-61177

RESTRICTED TO

-

CUSTOMER DRAWING

SCALE NTS

SHEET 1 OF 1

REV M

Mouser Electronics

Authorized Distributor

Click to View Pricing, Inventory, Delivery & Lifecycle Information:

[TE Connectivity:](#)

[61177-2 \(Mouser Reel\)](#) [61177-2 \(Cut Strip\)](#)