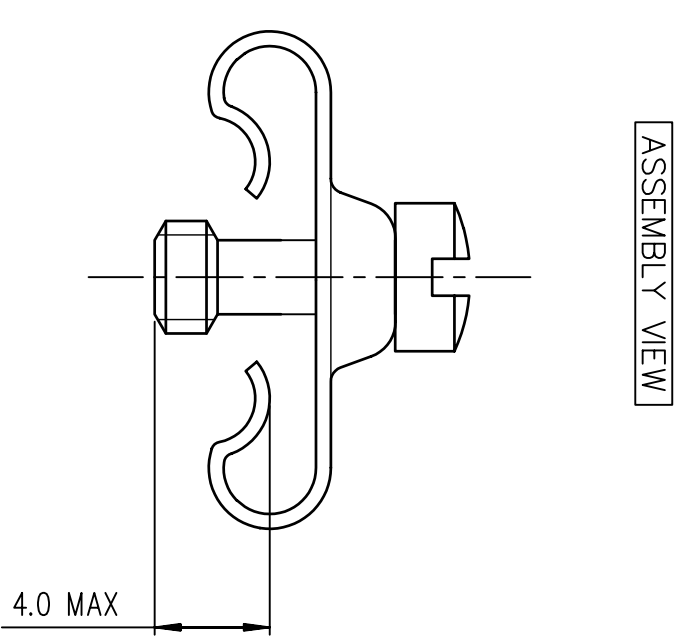
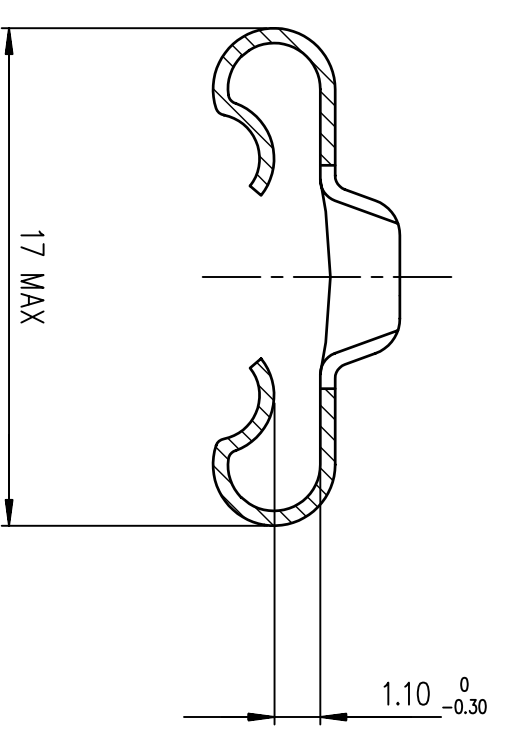
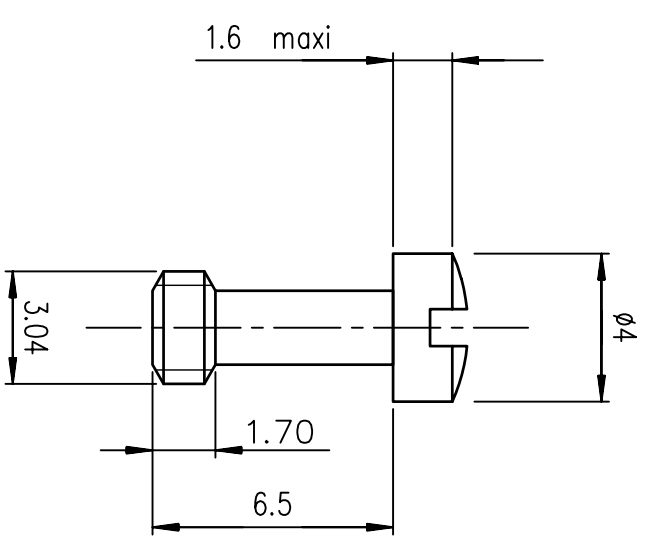


**NOTES**  
 Pieces assembly  
 Packaging : per 100 piece  
 Material : steel  
 Plating : yellow chromate cadmium  
 Thread : UNC 4.40



rev	ecn no	dr	date
H	ELX-H-011686	PK	2012/05/21
B	LS06-0101	MPE	2006/06/27
C	LS07-0001	MPE	2007/01/02
D	LS09-0006	PCR	2009/01/08
E	I11-0022	AMR	2011/01/25
F	I11-0165	PK	2011/10/05
G	ELX-H-011683	PK	2012/05/09

Part Number  
 863003A

www.fciconnect.com		surface	ISO 1302	tolerance std	ISO 406 ISO 1101	projection	mm
Dr	JOUBERT	1998/03/27	ANGULAR	0.X	±0.1	size	A3
Eng	M.PESSON	1998/03/27	LINEAR	0.XX	±0.1	Scale	5
Chr	ABHILASH	2011/01/25	0.XX ±2	0.XXX	±0.1	ECN	ELX-H-011686
Appr	SUDHIR	2011/01/25	Product family		D-SUB	Spec ref	-
FCI logo		MALE SCEW LOCKS		tolerance std		CUSTOMER	
SHELL 50		D SUB ACCESSORIES		-		sheet 1 of 1	
catalog no		-		-		Rev. H	

European Views

# Mouser Electronics

Authorized Distributor

Click to View Pricing, Inventory, Delivery & Lifecycle Information:

[FCI / Amphenol:](#)

[863003A](#)