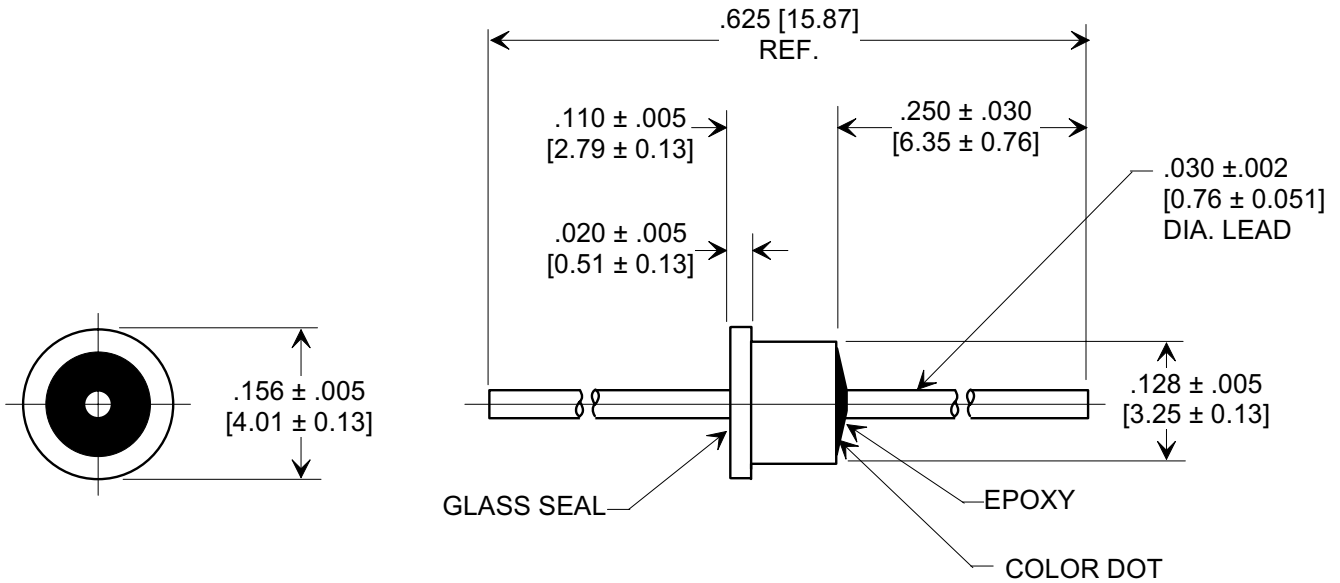
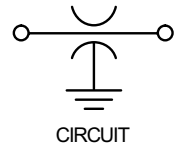
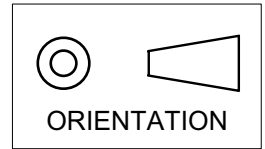


**MARKETING SALES DRAWING**

**DIMENSIONS IN INCHES - DO NOT SCALE THIS DRAWING**

**DIMENSIONS IN METRIC - [ ]**

Electrical Testing  
per Tusonix standard  
test plans and Mil-Std-202  
Test Methods.



**NOTES:**

1. Operating temperature range: -55°C to +125°C.
2. Gold plated case and lead.
3. Epoxy sealed on opposite end from glass seal.
4. Max. recommended soldering temperature: 260°C.  
See installation recommendations.
5. Recommended mounting hole: .135 [3.43] dia.
6. Solder preform available for mounting.
7. Tusonix Standard part number: 4300-681.  
Tusonix RoHS compliant part number: 4300-681 LF.  
Customer must specify Standard or RoHS part number when ordering.
8. RoHS compliant part marked with additional dark green dot for identification.

CAP. (pF)	TOL.	DC WORKING VOLTAGE		DC CURRENT (AMPS)	MINIMUM NO LOAD INSERTION LOSS (dB) @ 25°C PER MIL-STD-220					COLOR CODE
		85°C	125°C		1 MHz	10 MHz	100 MHz	1 GHz	10 GHz	
5	MAX.	300	200	5	---	---	---	---	---	BLK-BLK

X-2015 Rev-0 <b>REVISION RECORD</b> Original Release C.O. 20020104-1-02 ADDED NOTES 7 & 8. S.M. 05-23-05 20050511-2-63	0	1	--TOLERANCES-- Unless Otherwise Specified DECIMAL ± .015 ANGLES ±	Title <b>SOLDER MOUNT EMI FILTER</b>		
	Drawn L.E. 01-04-02      Scale 4 X					
	Approved T.C. 01-04-02		<b>TUSONIX</b> TUCSON, ARIZONA	<b>A</b>	4300-681	

# Mouser Electronics

Authorized Distributor

Click to View Pricing, Inventory, Delivery & Lifecycle Information:

[Tusonix / CTS:](#)

[4300-681LF](#)