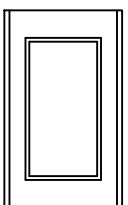
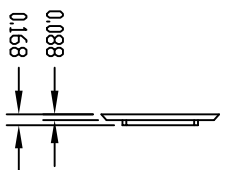
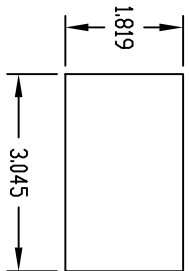
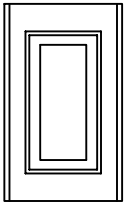
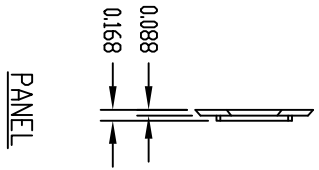
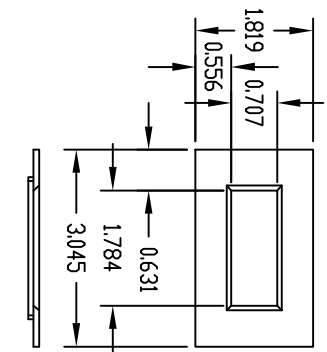


PART NAME PLASTIBOX (STYLE "G")

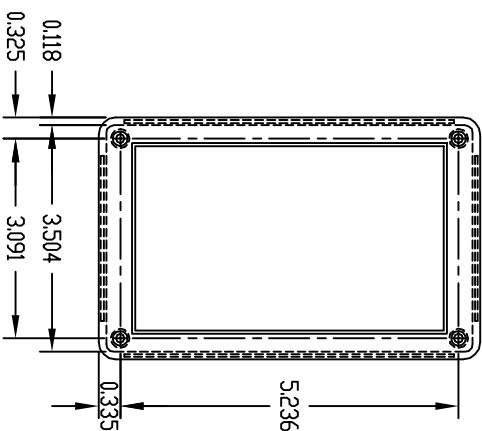
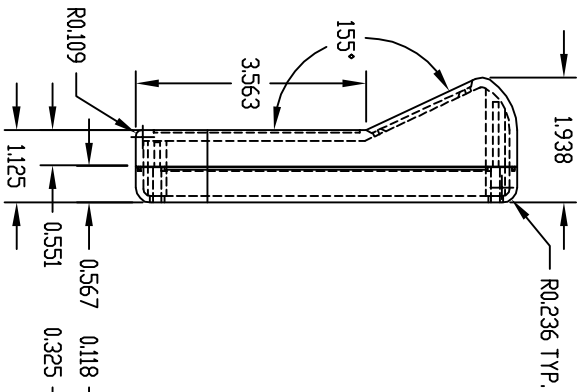
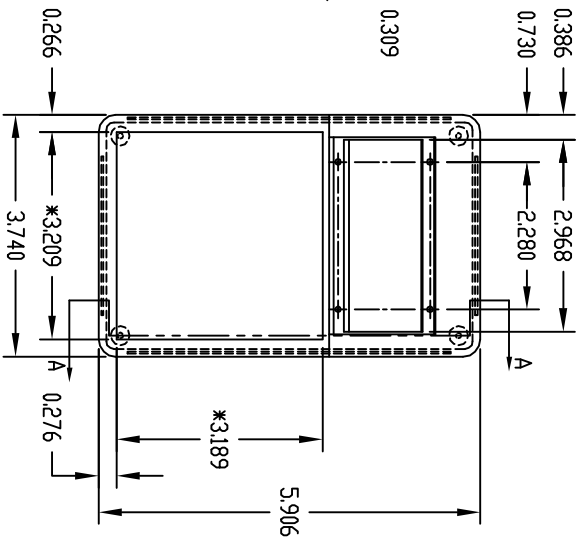
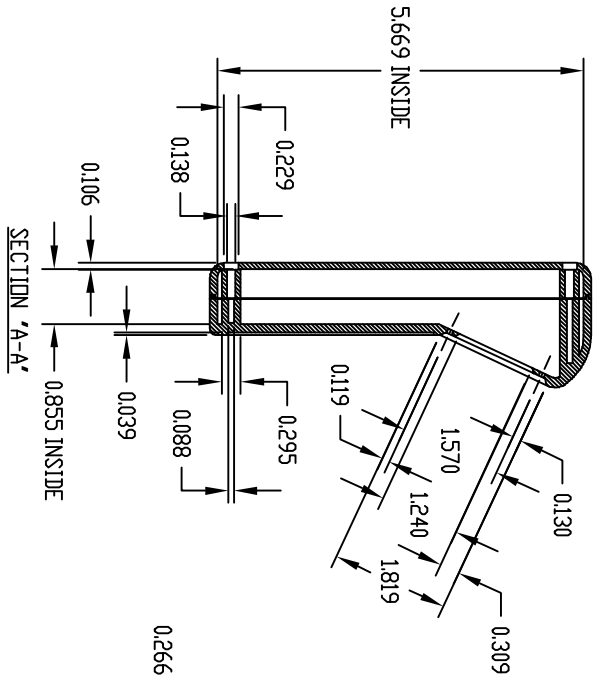
PART No.

PSP-11563

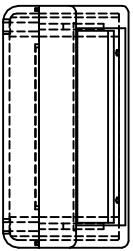


PANEL

SOLID PANEL



BASE AND COVER



MATERIAL - HIGH-IMPACT ABS
 COLOR - BLACK
 FINISH - LIGHT GRAY
 * - SMOOTH AREA
 (4) M3 x 21mm SCREWS INCLUDED.
 ALL DIMENSIONS HAVE ±0.015 TOLERANCE.

Mouser Electronics

Authorized Distributor

Click to View Pricing, Inventory, Delivery & Lifecycle Information:

[Bud Industries:](#)

[PSP-11563-B](#) [PSP-11563-G](#)