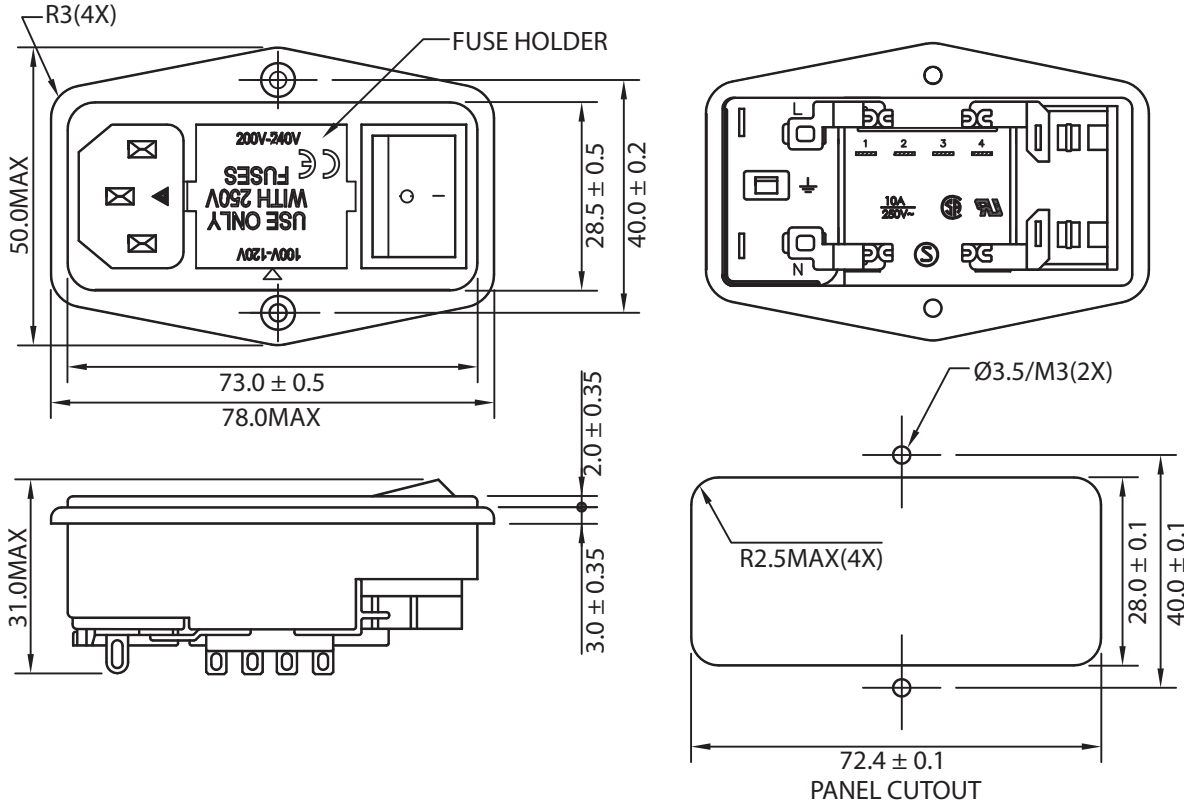


THESE DRAWINGS ARE THE PROPERTY OF QUALTEK ELECTRONICS AND NOT TO BE REPRODUCED FOR OR COMMUNICATED TO A THIRD PARTY WITHOUT THE EXPRESS WRITTEN PERMISSION OF AN OFFICER OF QUALTEK ELECTRONICS.

REVISION			
REV.	DESCRIPTION	DATE	APPROVED
B	RoHS Compliancy	06-01-06	DP
C	Updated Specifications	01-24-08	DP
D	Updated Graphics	05-30-13	LY

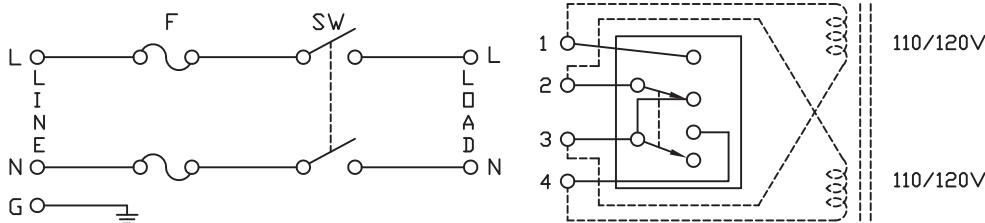
MECHANICAL DIMENSIONS:



ELECTRICAL CHARACTERISTICS:

- 1-1. VOLTAGE RATING.....250VAC
- 1-2. CURRENT RATING
A. @ 250 VAC (UL,CSA, SEMKO).....10 A RMS MAX
- 1-3. HIPOT RATING (FOR ONE MINUTE)
A. LINE TO GROUND 2000V AC
B. LINE TO LINE2000V AC
- 1-4. MINIMUM INSULATION RESISTANCE: @ 500V DC
A. LINE & NEUTRAL TO GROUND 100M OHM
B. LINE TO NEUTRAL 100M OHM
- 1-5. DOUBLE 5X20mm FUSEHOLDER, PLASTIC CASE
- 1-6. SOLDER TAB TERMINALS
- 1-7. APPROVALS:
- 1-8. RoHS COMPLIANT

ELECTRICAL SCHEMATIC:



CONTROLLED

Dim range (mm)	Tolerance +/- (mm)	Qualtek Electronics Corp. PPC DIVISION		
		Part Number:	764-00/003	
0-1	0.15	Description: MULTI-FUNCTION MODULE		
1-6	0.20			
6-18	0.30	UNIT: mm	REV. D	
18-50	0.50	Drawn / Date	Checked / Date	Approved / Date
50-120	0.70	B.ZHANG	09-24-03	JJH / 09-24-03
120-250	0.90	09-24-03		
250-500	1.20			

Mouser Electronics

Authorized Distributor

Click to View Pricing, Inventory, Delivery & Lifecycle Information:

[Qualtek:](#)

[764-00/003](#)