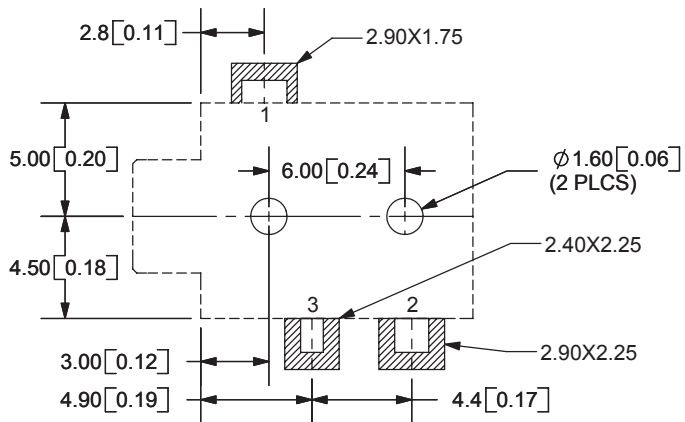
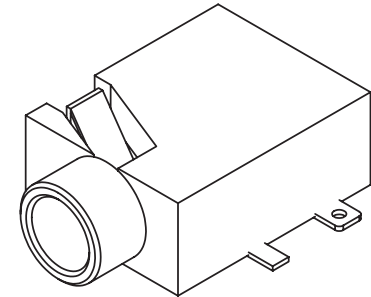
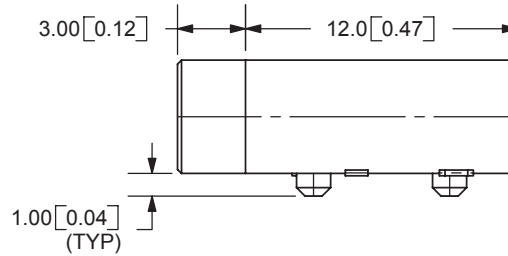
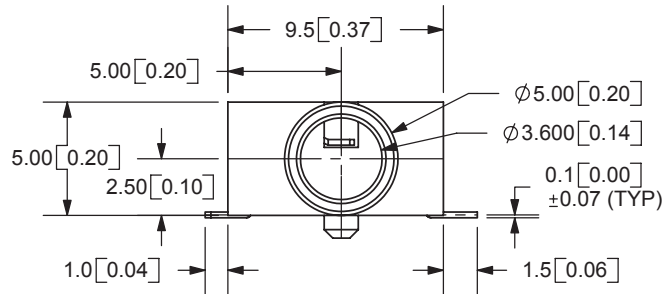
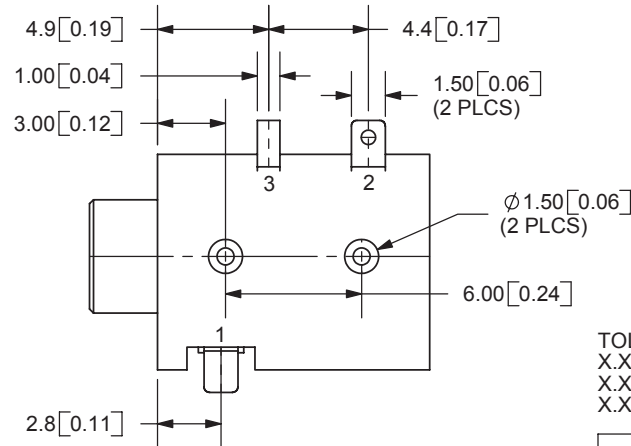


REV.	DESCRIPTION	DATE
A	NEW DRAWING	11/21/2005
B	added TR package option	11/7/2012



PCB LAYOUT  
TOP VIEW



Note:  
Add suffix "-TR" to the model number for  
tape & reel packaging

TOLERANCE:  
X.X ±0.2mm  
X.XX ±0.1mm  
X.XXX ±0.05mm



20050 SW 112th Ave.  
Tualatin, OR 97062  
Phone: 503-612-2300  
800-275-4899  
Fax: 503-372-1266  
Website: www.cui.com

**SPECIFICATIONS:**  
 RATING: 16V DC @ 300mA  
 CONTACT RESISTANCE: 30m OHMS MAX  
 INSULATION RESISTANCE: 50M OHMS MIN: 500V DC  
 VOLTAGE WITHSTAND: 500V AC R.M.S. FOR 1 MINUTE  
 LIFE: 5,000 CYCLES  
 OPERATING TEMP: -25° ~ +85°C

MODEL NO.	MJ1-3510-SMT
SCHEMATIC	

TERMINAL	MATERIAL	PLATING	TITLE:	REV:
TERMINAL 1	Copper Alloy	Gold	3.5mm SURFACE MOUNT AUDIO JACK-MONO	B
TERMINAL 2	Copper Alloy	Gold	PART NO. MJ1-3510-SMT	UNITS: MM [INCHES]
TERMINAL 3	Brass	Gold	DRAWN BY: ZRJ	APPROVED BY:
HOUSING	PA6T			SCALE: 3:1

PC FILE NAME:  
MJ1-3510-SMT

COPYRIGHT 2012 BY CUI INC.

# Mouser Electronics

Authorized Distributor

Click to View Pricing, Inventory, Delivery & Lifecycle Information:

[CUI Inc.:](#)

[MJ1-3510-SMT-TR](#)