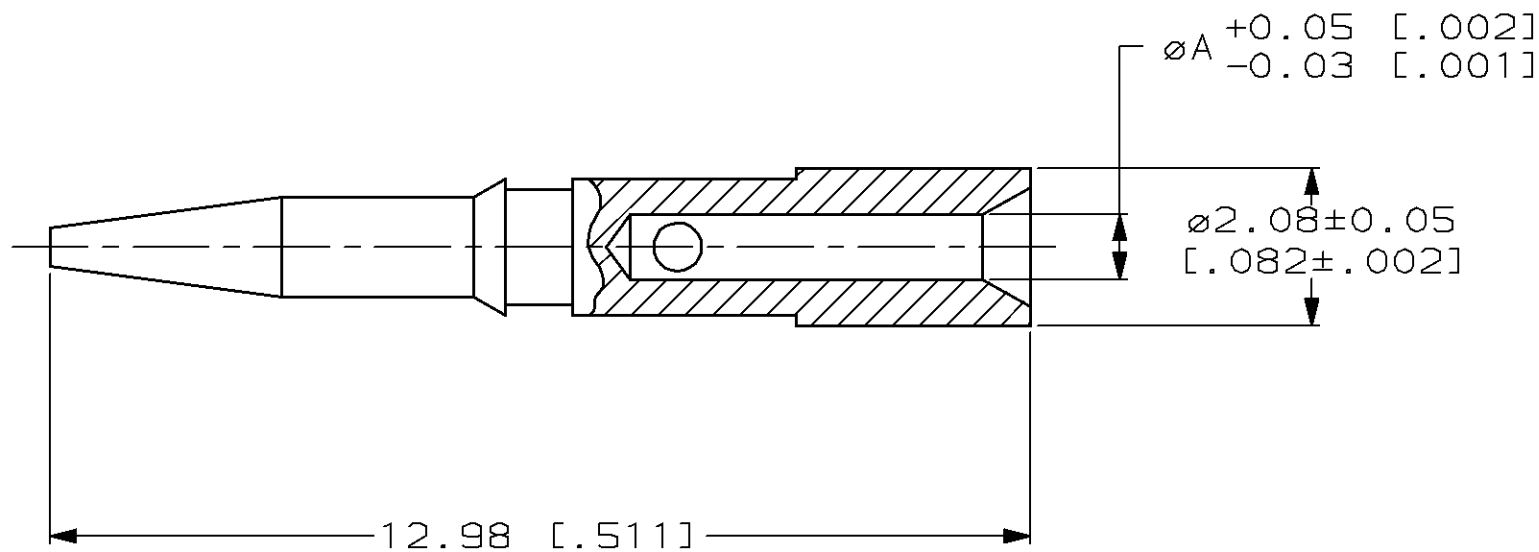


THIS DRAWING IS UNPUBLISHED. RELEASED FOR PUBLICATION, 19 .
 © COPYRIGHT 19 BY AMP INCORPORATED. ALL INTERNATIONAL RIGHTS RESERVED.

| LOC | DIST | P | F | ZONE | LTR | DESCRIPTION | DATE | APPD |
|-----|------|---|---|------|-----|---|----------|------|
| AJ | 16 | ✓ | ✓ | | A | REV & REDRAWN ADD 1-0,1-1,1-3,1-4,1-6 & 1-7 | 6-11-90 | MS |
| | | ✓ | ✓ | | B | REV PER AJ-4992 | 2-20-91 | JL |
| | | | | | C | REVISED PER 0503-0666-97 | 11-20-97 | JG |

- 1 BRASS PER QQ-B-626
- 2 TIN PLATE PER ASTM-B-545
- 3 SILVER PLATE PER QQ-S-365
- 4 0.76µm [.000030] MIN GOLD PLATE PER MIL-G-45204 OVER
0.76µm [.000030] MIN NICKEL PLATE PER QQ-N-290



| | | |
|-------------|---|------------|
| 1.12 [.044] | 3 | 1-222246-7 |
| 1.12 [.044] | 4 | 1-222246-6 |
| 0.46 [.018] | 3 | 1-222246-4 |
| 0.46 [.018] | 4 | 1-222246-3 |
| 0.61 [.024] | 3 | 1-222246-1 |
| 0.61 [.024] | 4 | 1-222246-0 |
| 0.79 [.031] | 2 | 222246-8 |
| 0.99 [.039] | 2 | 222246-7 |
| 0.79 [.031] | 3 | 222246-6 |
| 0.99 [.039] | 3 | 222246-5 |
| 0.79 [.031] | 4 | 222246-4 |
| 0.99 [.039] | 4 | 222246-2 |

| A DIA | | FINISH | PART NO |
|---|--|--------------------------|--|
| DO NOT SCALE PRINT. UNLESS SPECIFIED DIMENSIONS IN mm [INCHES] TOLERANCES ON: 2 PLC DEC ± 0.13 [.005] 3 PLC DEC ± - ANGLES ± - | | DR M. SNEED 6-4-90 | AMP AMP Incorporated Harrisburg, PA 17105-3608 |
| MATERIAL 1 | | CHK D. LAMAN 7-10-90 | |
| FINISH 2 THRU 4 | | APPD M. PHILLIPS 7-12-90 | NAME CONTACT, COMMERCIAL BNC |
| | | APPD D. LAMAN 7-10-90 | SIZE B CAGE CODE 00779 DRAWING NO 222246 |
| | | PRODUCT SPEC - | SCALE 10:1 SHEET 1 OF 1 |
| | | APPLICATION SPEC - | |
| | | WEIGHT - | |

Mouser Electronics

Authorized Distributor

Click to View Pricing, Inventory, Delivery & Lifecycle Information:

[TE Connectivity:](#)

[1-222246-6](#)