

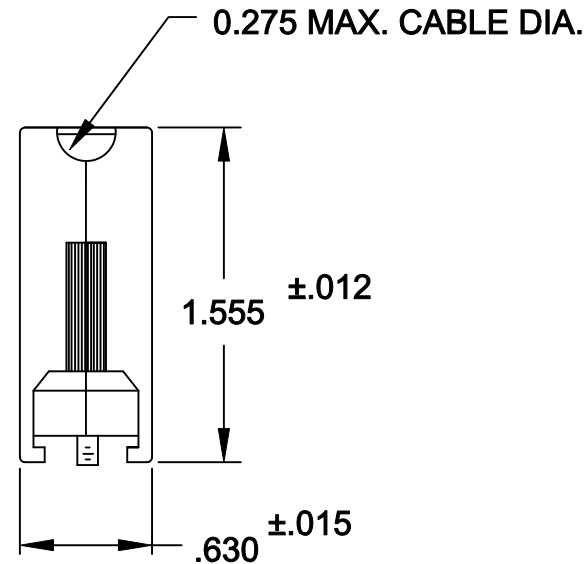
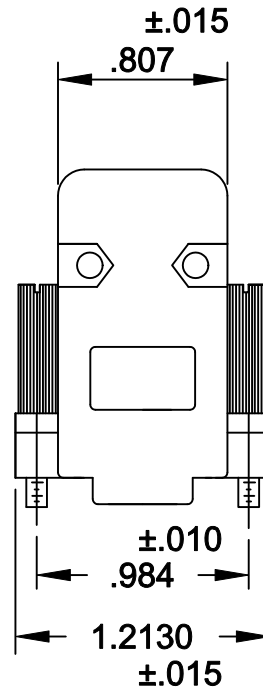
DESCRIPTION: **993 SERIES 45 DEGREE ENTRY D-SUB BACKSHELL**

BACKSHELL KIT INCLUDES:

- (2) BACKSHELL HALVES
- (2) HOUSING SCREWS
- (2) HOUSING NUTS
- (2) 4-40 THUMBSCREWS
- (2) STRAIN RELIEF CLAMPS
- (2) STRAIN RELIEF SCREWS

993-YYY-YYYRYY1

Series _____
 Position _____
 009 _____
 Material _____
 010 = Plastic
 020 = Metalized Plastic
 Color: _____
 03 = Grey
 12 = NICKEL OVER COPPER
 Put-Up: _____
 1 = Kit




METALIZED PLASTIC:
MATERIAL: ABS HIGH TEMPERATURE PLASTIC 94HB

METALIZED PLATING:
NICKEL OVER COPPER

PLASTIC:
MATERIAL: ABS HIGH TEMPERATURE PLASTIC 94HB

RoHS COMPLIANT

	THESE DRAWINGS AND SPECIFICATIONS ARE THE PROPERTY OF NorComp AND SHALL NOT BE REPRODUCED, COPIED OR USED AS THE BASIS FOR THE MANUFACTURE OR SALE OF APPARATUS WITHOUT WRITTEN PERMISSION.		DRAWN: PAM JENKINS	DATE: 9-15-05
			CHECKED:	DATE:
<h1>NorComp</h1>		SCALE	SHEET OF	REV 3
		DWG NO. 993-009-YYYRYY1		

Mouser Electronics

Authorized Distributor

Click to View Pricing, Inventory, Delivery & Lifecycle Information:

[NorComp:](#)

[993-009-010R031](#) [993-009-020R121](#)