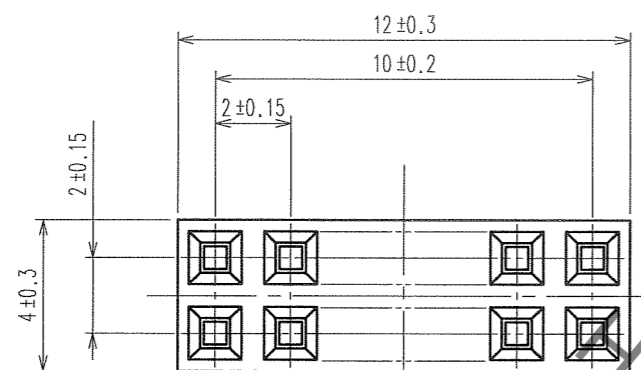
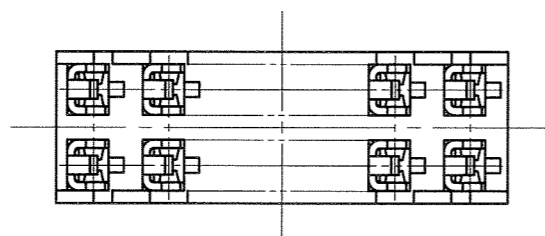
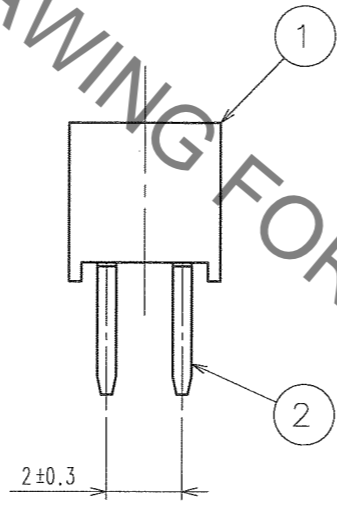
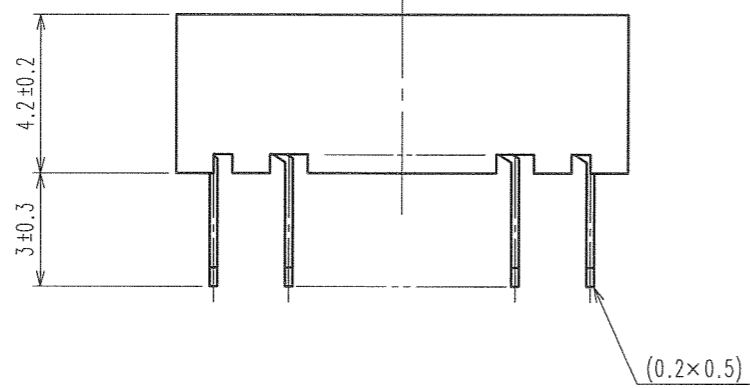
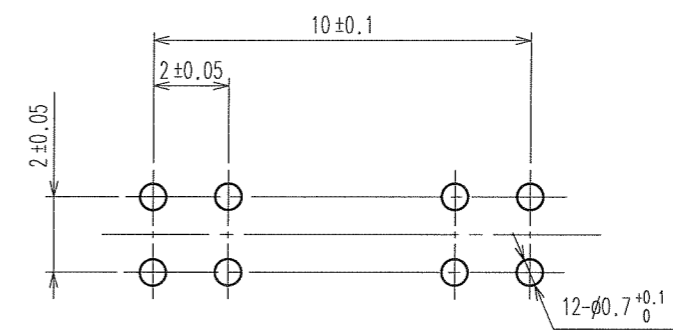


Aug.1.2020 Copyright 2020 HIROSE ELECTRIC CO., LTD. All Rights Reserved.
 In case of consideration for using Automotive equipment / device which demand high reliability, kindly contact our sales window correspondents.

COUNT	DESCRIPTION OF REVISIONS	BY	CHKD	DATE	COUNT	DESCRIPTION OF REVISIONS	BY	CHKD	DATE
△				..	△				..
△				..	△				..
△				..	△				..



RECOMMENDED PC BOARD HOLE PATTERN



NOTE 1. THE CONTACT CUT SECTION IS UNPLATED.
 2. THE DIMENSIONS IN PARENTHESES ARE FOR REFERENCE.

1	PBT	BLACK UL94V-0	2	PHOSPHOR BRONZE	CONTACT AREA:GOLD 0.2μm min. DIP AREA:TIN-PLATING 1μm min. UNDER PLATING:NICKEL 1μm min.
NO.	MATERIAL	FINISH, REMARKS	NO.	MATERIAL	FINISH, REMARKS
CODE NO.(OLD) CL			DRAWN	DESIGNED	CHECKED
			K.NAKAMURA	K.NAKAMURA	Y.C. Ozawa
			06.05.20	06.05.20	06.05.20
			APPROVED		RELEASED
			H. Okawa		..
DRAWING NO.		PART NO.			
EDC3-081231-21		A3C-12DA-2DSA(71)			
SCALE		CODE NO.			
5 : 1		CL621-0505-7-71		1/1	
UNITS		HRS			
mm		HIROSE ELECTRIC CO., LTD			

TO