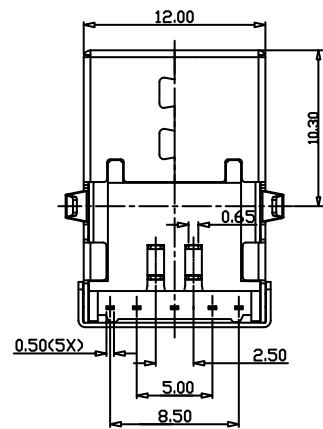
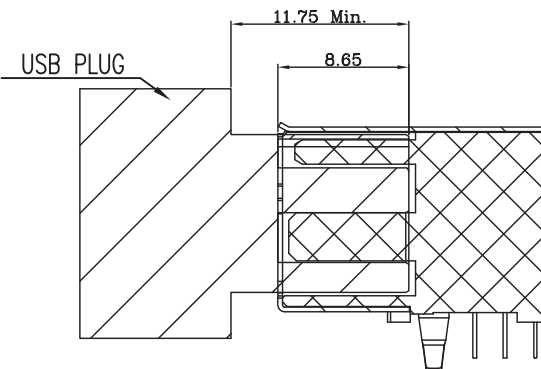


PCB LAYOUT \* - COMPONENT VIEW



Pin NUMBER	SIGNAL NAME
1	VBUS
2	D-
3	D+
4	GND
5	StdB_SSTX-
6	StdB_SSTX+
7	GND_DRAIN
8	StdB_SSRX-
9	StdB_SSRX+
Shell	Shield

Tx and Rx are defined from the device perspective



TECHNICAL CHARACTERISTICS

MATERIAL  
 INSULATOR: LCP  
 FLAMMABILITY RATING: UL94-V0  
 COLOR: BLUE  
 CONTACT MATERIAL: PHOSPHOR BRONZE  
 CONTACT TYPE: STAMPED  
 CONTACT PLATING: UNDERPLATE 1.27 to 2.54 µm Ni  
                           CONTACT AREA 0.76 µm Gold  
                           SOLDER TAIL AREA 2.54 to 5.08 µm Matt Tin  
 SHIELDING: BRASS Ni PLATED  
 QUALITY CLASS: 5000 MATING CYCLES

ENVIRONMENTAL  
 OPERATING TEMPERATURE: -20°C up to +85°C  
 COMPLIANCE: LEAD FREE & RoHS

ELECTRICAL  
 CURRENT RATING:  
 - PIN 1 & PIN 4 (Vbus & corresponding ground PIN) 1.8A MAX  
 - OTHER PINS 0.25 A MAX  
 WORKING VOLTAGE: 30 VAC  
 DIELECTRIC WITHSTANDING VOLTAGE: 100 VAC/MIN  
 INSULATION RESISTANCE: > 100 MΩ  
 CONTACT RESISTANCE:  
 - PIN 1 & PIN 4: 30 mΩ MAX  
 - OTHER PINS: 50 mΩ MAX

STANDARD  
 CERTIFIED: E323964

MECHANICAL  
 INSERTION FORCE: 35.0N MAX  
 EXTRACTION FORCE: 10.0N MIN

SOLDERING  
 JEDEC LEAD FREE WAVE SOLDERING

PACKAGING  
 TRAY

\* NOTE: THE RECOMMENDED PCB LAYOUT IS FOR AN OPTIMIZED RETENTION FORCE OF CONNECTOR ON PCB BUT IT IMPLIES INSERTION FORCE THAT A LOT OF PICK AND PLACE MACHINES ARE NOT ABLE TO HANDLE. THEREFORE IT MIGHT BE NECESSARY TO DRILL BIGGER HOLES FOR THE CLIPS. PLEASE CHECK THIS CAREFULLY.

RoHS Compliant				PROJECTION: 	GENERAL TOLERANCE .X = +/- 0.2 .XX = +/- 0.15		DESCRIPTION: WR-COM - USB 3.0 HORIZONTAL TYPE B WERI PART NO: 692 221 030 100	SIZE <b>A4</b>
I	05-APR-16	PIN NB TABLE	AK	APPROVAL: NPr	UNIT: MM			
H	27-OCT-14	GENERAL UPDATE	AS		SCALE:			
REV	DATE	FILE	BY		SHEET: 1/2			
					DRAW: AS			

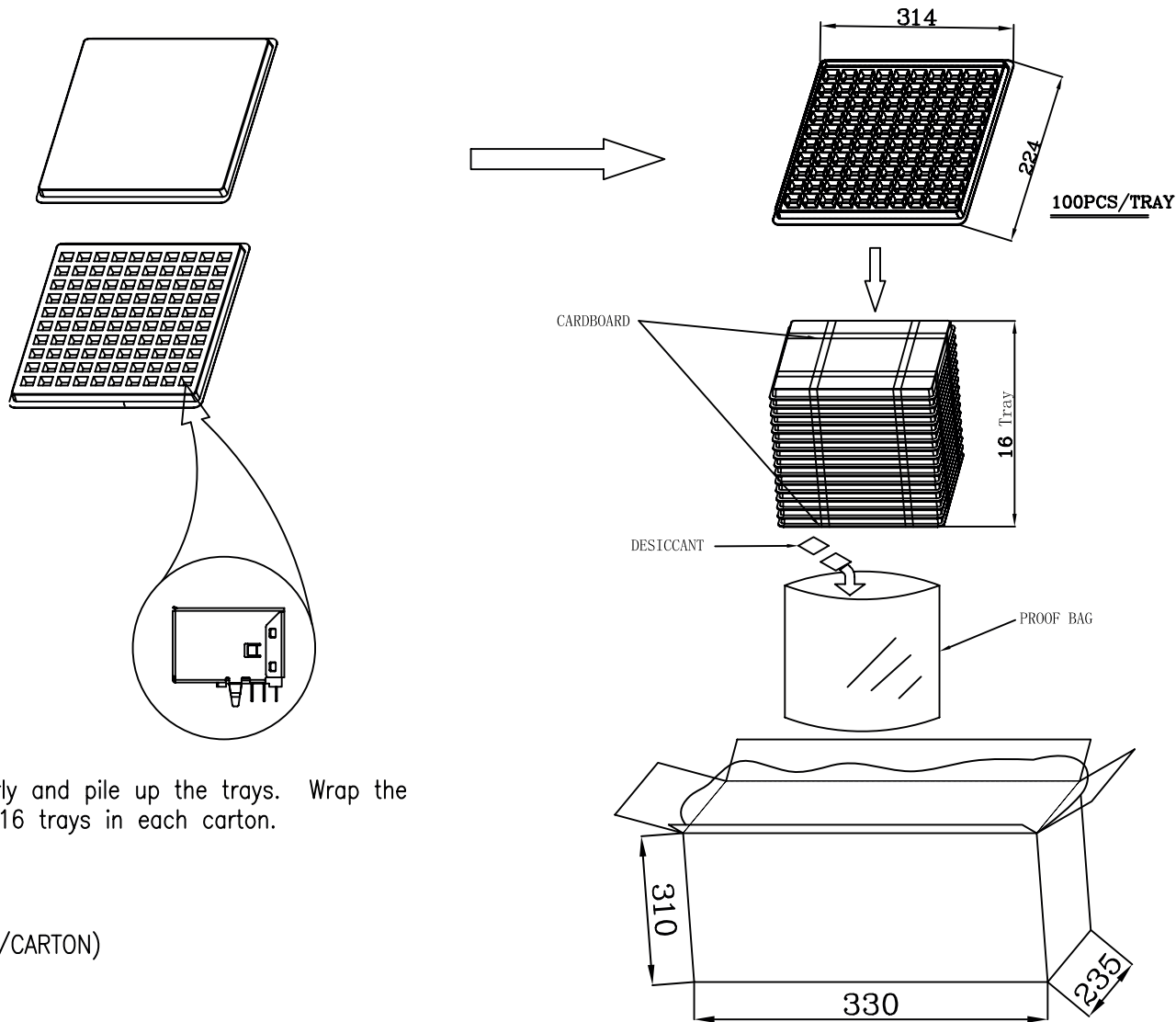
1

2

3

4

5



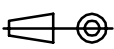
Note:

1.Pack the single tray properly and pile up the trays. Wrap the trays with PE film, and put 16 trays in each carton.

2.Packing Quantity :  
100PCS/Tray  
16TRAY/CARTON (1600PCS/CARTON)

RoHS Compliant

REV	DATE	FILE	BY

PROJECTION:  


GENERAL TOLERANCE  
 .X = +/- 0.2  
 .XX = +/- 0.15

APPROVAL: NPr

UNIT: MM  
 SCALE:  
 SHEET: 2/3  
 DRAW: AS



DESCRIPTION: WR-COM - USB 3.0 HORIZONTAL TYPE B

WERI PART NO: 692 221 030 100

SIZE  
**A4**

A

B

C

D

1

2

3

4

5

## Cautions and Warnings:

This electronic component is designed and developed with the intention for use in general electronics equipments.

Before incorporating the components into any equipments in the field such as aerospace, aviation, nuclear control, submarine, transportation, (automotive control, train control, ship control), transportation signal, disaster prevention, medical, public information network etc. where higher safety and reliability are especially required or if there is possibility of direct damage or injury to human body, Würth Elektronik must be asked for a written approval.

In addition, even electronic component in general electronic equipments, when used in electrical circuits that require high safety, reliability functions or performance, the sufficient reliability evaluation-check for the safety must be performed before by the user before usage.

A

B

C

RoHS Compliant

G				PROJECTION: 	GENERAL TOLERANCE .X = +/- 0.2 .XX = +/- 0.15		
F							
E							
D							
C				APPROVAL: JC	UNIT: MM	DESCRIPTION: DISCLAIMER	SIZE <b>A4</b>
B					SCALE:		
A	10-SEP-14	PDF	QL		SHEET: 3/3	WERI PART NO: DISCLAIMER	
REV	DATE	FILE	BY		DRAW: QL		

D

# Mouser Electronics

Authorized Distributor

Click to View Pricing, Inventory, Delivery & Lifecycle Information:

[Wurth Electronics:](#)

[692221030100](#)