

Open Frame



Baseplate

Quarter Brick Power Supply Specifications

- ◆ Low Voltage Outputs (1.2-5.0V)
- ◆ High Power Density up to 90.4W/in³
- ◆ Industry Standard Footprint & Pinouts
- ◆ Safety Agency Approvals (UL1950, CSA22.2, CE, TUV)
- ◆ Constant Current Limit (Auto Restarting)
- ◆ Remote On / Off (Positive/Negative Logic Available)
- ◆ ASIC Design to Reduce Component Count

Key Market Segments & Applications

Central Office:	ATM, Sonet, DSL, ISDN, Frame Relay, WDM
Broadband:	Switching Equipment, Routers
Wireless/Cellular:	Micro Cells (larger in size/10 sq. mi.) Pico Cells (smaller in size/1 to 2 sq. mi.)
Remote Electronics:	Fixed Local Loop, Fiber Optic Transmission, Microwave Transmission, Wireless Local Loop
Customer Premise:	PBX, PABX, Datacomm, Voice Systems, Video Conferencing
Industrial	ATE Test Equipment & Semi-Fab

PAQ Features and Benefits

Feature	Benefit
◆ Industry Standard footprint/pinout	◆ Allows for multi-sourcing
◆ ASIC Design	◆ Reduces number of components
◆ Wide Range Operating Temperature (-40 to 100°C)	◆ Supports Harsh Wireless Operating Environment
◆ High Efficiency 89% at 3.3V (PAQ100)	◆ Reduce footprint area/Operation without heatsink

Specifications

MODEL		PAQ100S48-1R2	PAQ100S48-1R8	PAQ100S48-2R5	PAQ100S48-3R3	PAQ100S48-5
ITEMS						
Nominal Output Voltage	V	1.2	1.8	2.5	3.3	5
Max Output Current	A	25	25	25	25	20
Max Output Power	W	30	45	62.5	82.5	100
Efficiency (Typ.)	(*1) %	80	84	86	89	90
Input Voltage Range	-	36 - 76VDC				
Input Current (Typ.)	(*1) A	0.8	1.14	1.55	1.98	2.37
Output Voltage Accuracy	(*1) %	±1				
Output Voltage Range	(*4) -	-20%, +10%			±15%	
Max Ripple & Noise	(*4) mV	100	100	100	100	100
Max Line Regulation	(*2) mV	10	10	10	10	10
Max Load Regulation	(*3) mV	10	10	10	10	10
Over Current Protection	-	105% - 140% (Self-Recovering /V option)				
Over Voltage Protection	-	120% - 140% (Self-Recovering /V option)				
Remote ON/OFF Control	-	Low=On, Open=Off (/P option: Low=Off, Open=On)				
Operating Temperature	(*5) C	Ta= -40° - +85° (100°C /B Option)				
Cooling	(*5) -	Convection Cooled / Forced Air Cooled				
Isolation Voltage	-	Input-Output : 1.5kVDC for 1min				
Shock	-	196.1m/s ²				
Weight (Typ.)	g	50				
Vibration	-	Non Operating, 10-55Hz (Sweep for 1min.) Amplitude 0.825mm Constant (Maximum 49.0m/s ²) X, Y, Z 1 hour each				
Size (W×H×D)	in	1.45" x .33" x 2.3"; .5" height (/B Option)				
Warranty	-	2 years				

Notes:

*1. At 48VDC, maximum output current, Air Velocity = 2m/s and Ta = +25°C.

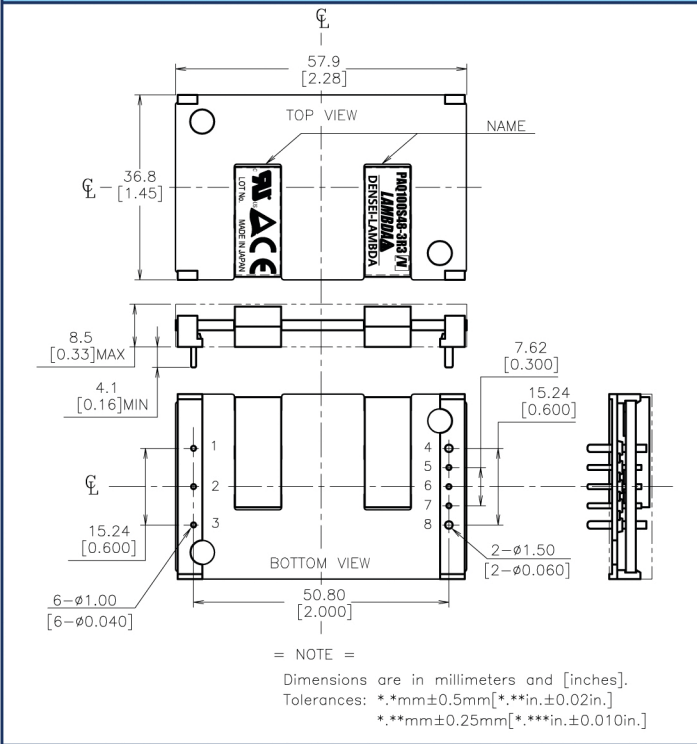
*2. 36 - 76VDC, constant load.

*3. No load - Full load, constant input voltage.

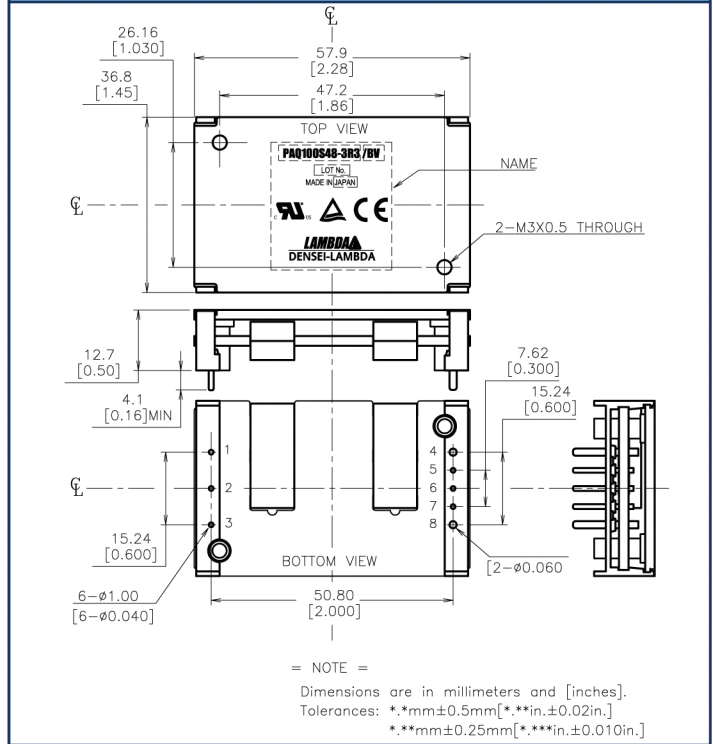
*4. External components are needed for operation.

*5. Refer to installation manual (website).

PAQ100 Openframe Drawing



PAQ100 Baseplate Drawing



PAQ Series Outputs

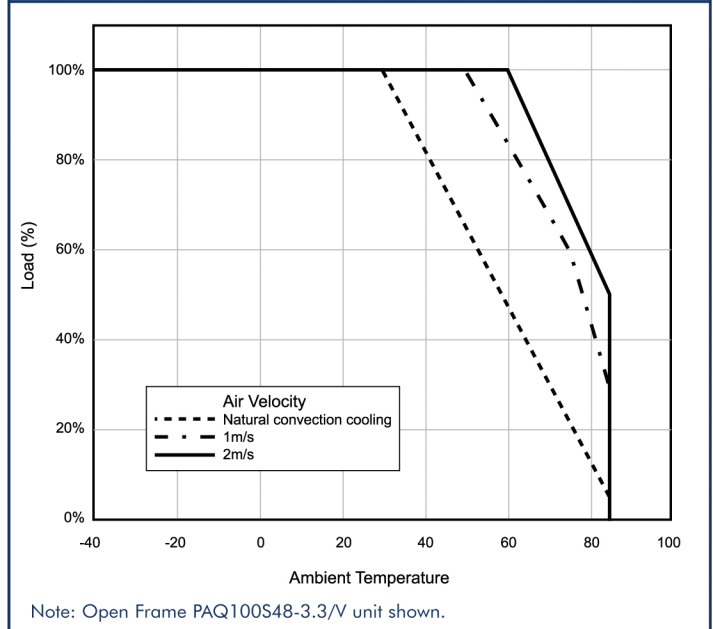
PIN#	Label	Function
1	-Vin	Negative Input Terminal
2	CNT	ON/OFF Control Terminal
3	+Vin	Positive Input Terminal
4	-V	Negative Output Terminal
5	-S	Negative Remote Sensing
6	TRM	Output Voltage Adjustment Terminal
7	+S	Positive Remote Sensing
8	+V	Positive Output Terminal

PAQ Series Options

Suffix	Description
Blank	Manual Reset after OVP or OCP condition
/V	Auto Reset after OVP or OCP condition
/P	Positive Logic Remote On/Off
/B	Baseplate version

/V, /PV, /BV, /BPV are Standard US stock items.

PAQ100 Derating Curve



For Additional Information, please visit www.lambdapower.com/products/paq-series.htm

Last Time Buy November 2019

Mouser Electronics

Authorized Distributor

Click to View Pricing, Inventory, Delivery & Lifecycle Information:

[TDK-Lambda:](#)

[PAQ100S48-1R2](#) [PAQ100S48-1R2/B](#) [PAQ100S48-1R2/BP](#) [PAQ100S48-1R2/BV](#) [PAQ100S48-1R2/V](#) [PAQ100S48-1R8/B](#) [PAQ100S48-1R8/BPV](#) [PAQ100S48-1R8/BV](#) [PAQ100S48-1R8/P](#) [PAQ100S48-1R8/PV](#) [PAQ100S48-2R5](#) [PAQ100S48-2R5/B](#) [PAQ100S48-2R5/BP](#) [PAQ100S48-2R5/BV](#) [PAQ100S48-2R5/PV](#) [PAQ100S48-2R5/V](#) [PAQ100S48-3R3/B](#) [PAQ100S48-3R3/BP](#) [PAQ100S48-3R3/BPV](#) [PAQ100S48-3R3/BV](#) [PAQ100S48-3R3/PV](#) [PAQ100S48-5](#) [PAQ100S48-5/B](#) [PAQ100S48-5/BP](#) [PAQ100S48-5/BV](#) [PAQ100S48-5/P](#) [PAQ100S48-5/PV](#) [PAQ100S48-5/V](#) [PAQ100S48-3R3](#) [PAQ100S48-1R2/PV](#) [PAQ100S48-1R2/P](#) [PAQ100S48-3R3/V](#) [PAQ100S48-2R5/BPV](#) [PAQ100S48-5/BPV](#) [PAQ100S48-2R5/P](#) [PAQ100S48-3R3/P](#) [PAQ100S48-1R8](#) [PAQ100S48-1R8/BP](#) [PAQ100S48-1R2/BPV](#)