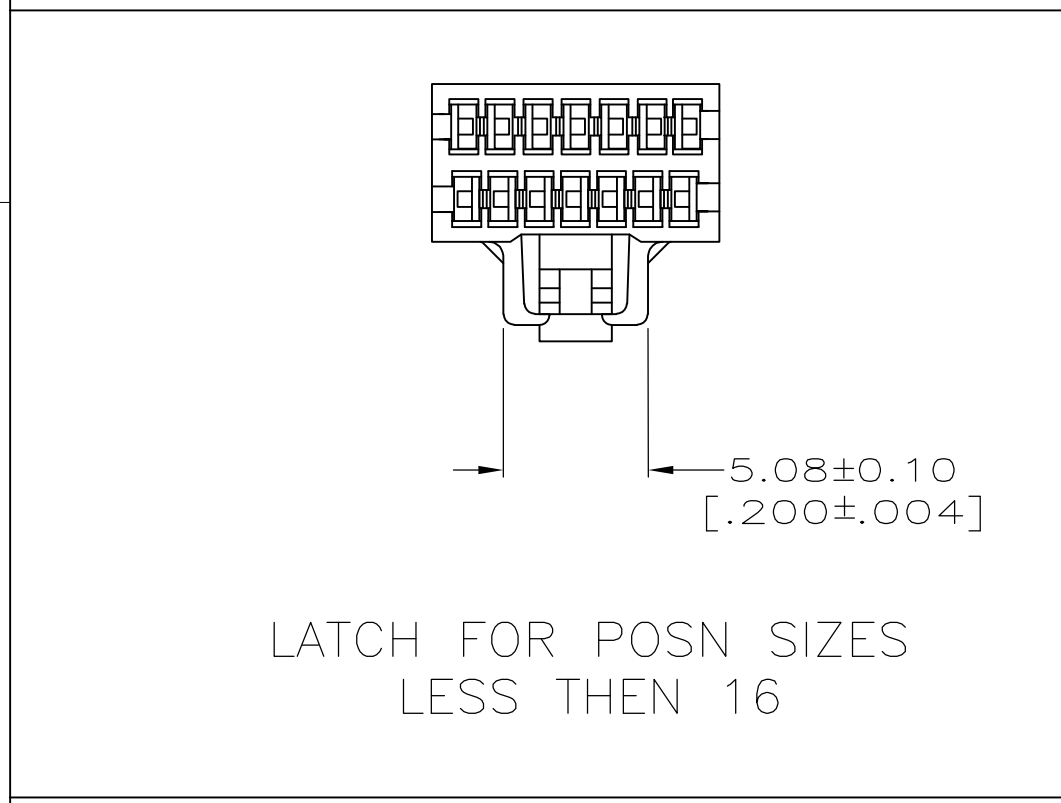
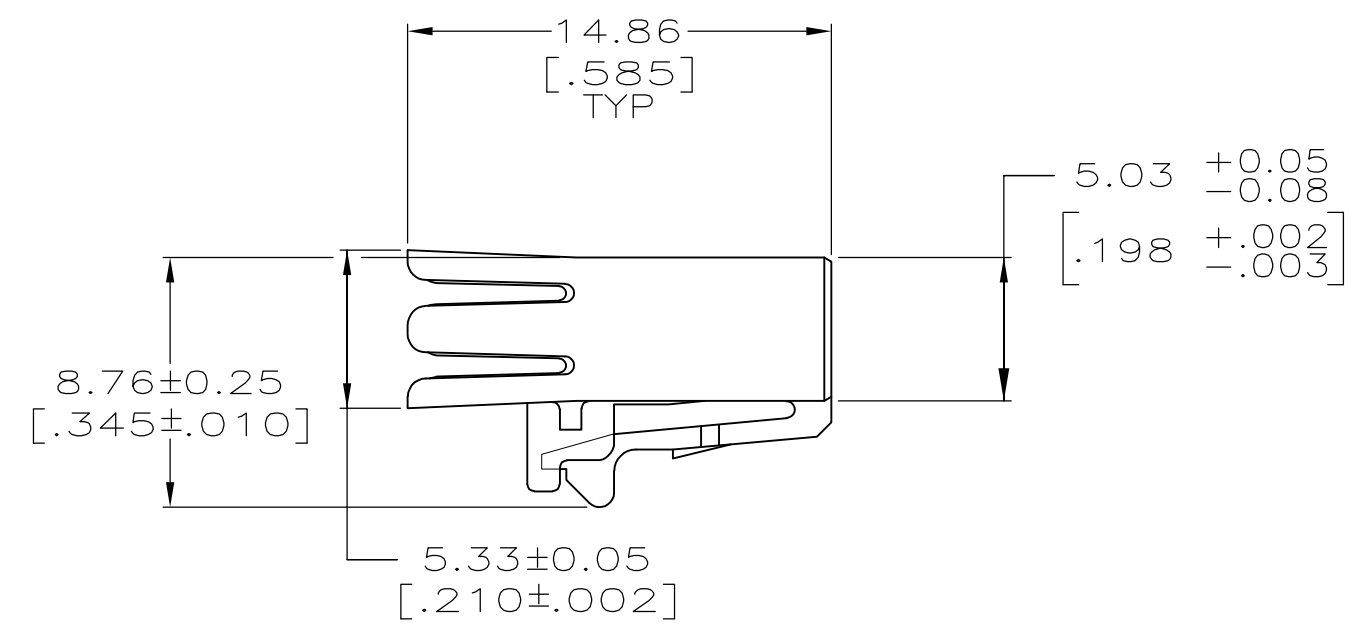
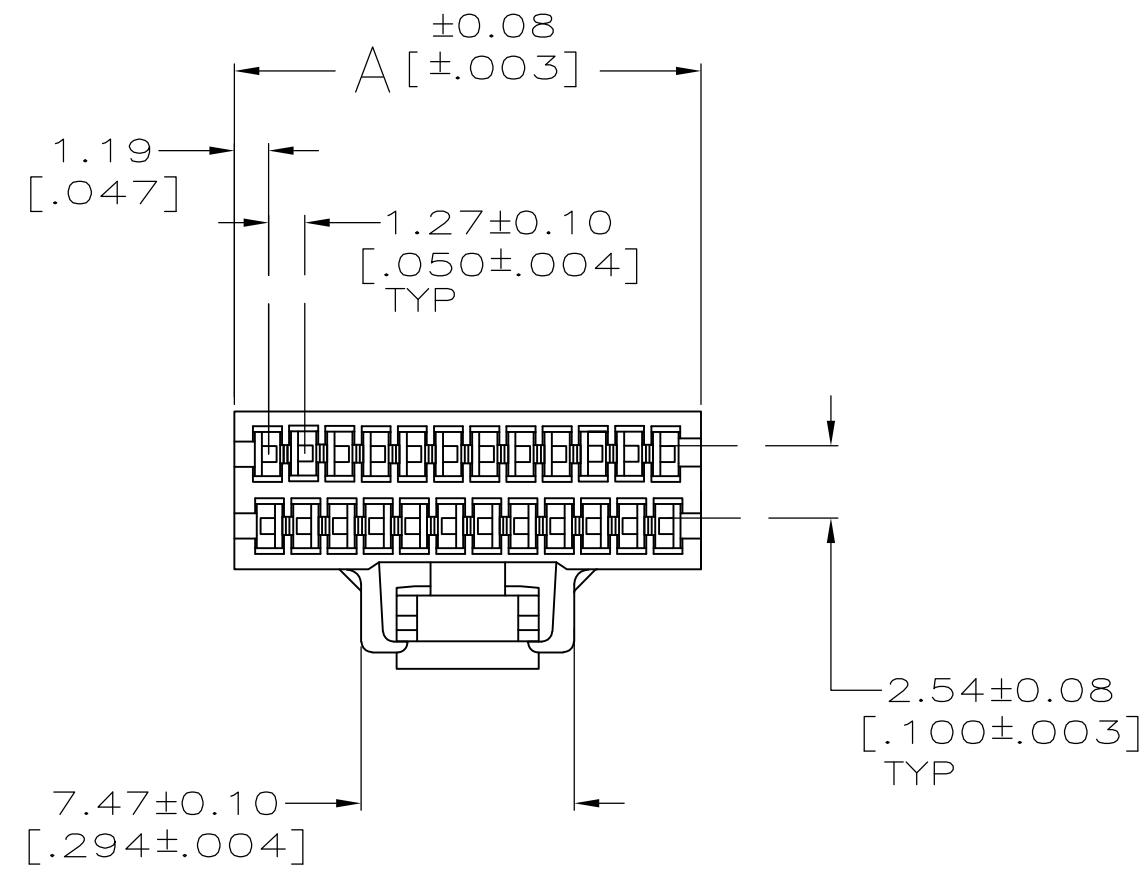


| LOC | DIST | REVISIONS | | | | | |
|-----|------|-----------|-----|---------------------------|-----------|-----|------|
| AR | 39 | P | LTR | DESCRIPTION | DATE | DWN | APVD |
| | | D3 | | REVISED PER ECO-12-003620 | 16FEB2011 | RW | SY |



1 OBSOLETE PARTS: OBSOLETE CIS STREAMLINING PER D.RENAUD/D.SINISI

| | | | |
|------------|------------------|------------|------------|
| | 51.99 [2.047] | 80 | 8-487937-0 |
| | 46.91 [1.847] | 72 | 7-487937-2 |
| | 39.29 [1.547] | 60 | 6-487937-0 |
| | 32.94 [1.297] | 50 | 5-487937-0 |
| 1 OBSOLETE | 29.13 [1.147] | 44 | 4-487937-4 |
| | 26.59 [1.047] | 40 | 4-487937-0 |
| | 22.78 [.897] | 34 | 3-487937-4 |
| | 20.24 [.797] | 30 | 3-487937-0 |
| | 17.70 [.697] | 26 | 2-487937-6 |
| | 16.43 [.647] | 24 | 2-487937-4 |
| | 13.89 [.547] | 20 | 2-487937-0 |
| | 11.35 [.447] | 16 | 1-487937-6 |
| | 10.08 [.397] | 14 | 1-487937-4 |
| | 8.81 [.347] | 12 | 1-487937-2 |
| | 7.54 [.297] | 10 | 1-487937-0 |
| 1 OBSOLETE | 6.27 [.247] | 8 | 487937-8 |
| | 64.69 [2.547] | 100 | 487937-1 |
| | A | NO OF POSN | PART NO |

| | | | | |
|--|--|------------------------------|-----------------------------------|--|
| THIS DRAWING IS A CONTROLLED DOCUMENT. | | DWN C.OBERMAN 02/08/91 | STE TE Connectivity | |
| DIMENSIONS: mm[INCHES] | | CHK J McCLINTON 3-5-91 | | |
| TOLERANCES UNLESS OTHERWISE SPECIFIED: | | APVD D L.ROCKER 3-6-91 | NAME HOUSING, RCPT, .050 , FFC | |
| 0 PLC ± - | | PRODUCT SPEC | SIZE | |
| 1 PLC ± - | | APPLICATION SPEC | CAGE CODE | |
| 2 PLC ± 0.13 [.005] | | WEIGHT | DRAWING NO | |
| 3 PLC ± - | | MATERIAL POLYESTER BLACK | RESTRICTED TO | |
| 4 PLC ± - | | FINISH | A2 00779 G-487937 | |
| ANGLES ± ± - | | CUSTOMER DRAWING | SCALE 4:1 SHEET 1 OF 1 REV D3 | |

Mouser Electronics

Authorized Distributor

Click to View Pricing, Inventory, Delivery & Lifecycle Information:

[TE Connectivity:](#)

[4-487937-0](#)