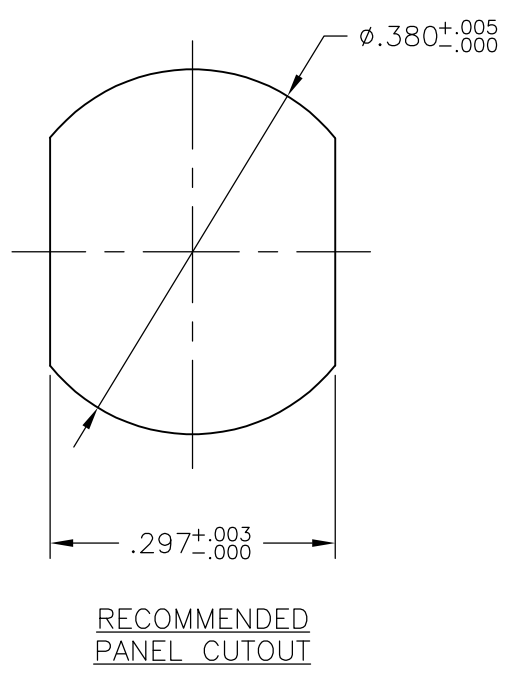
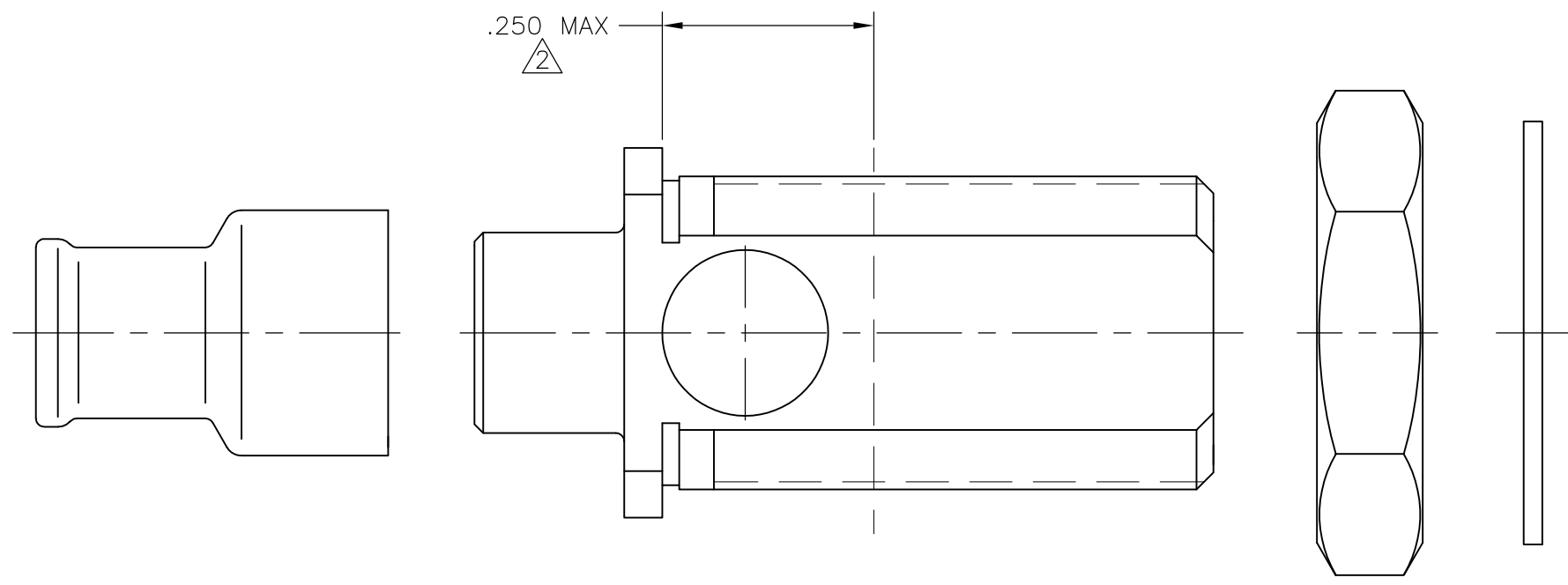


THIS DRAWING IS UNPUBLISHED. RELEASED FOR PUBLICATION
 © COPYRIGHT - By - ALL RIGHTS RESERVED.


LOC	DIST	REVISIONS					
AJ	54	P	LTR	DESCRIPTION	DATE	DWN	APVD
		F		ECO-14-014419	24SEP2014	RZ	MY

NOTES:

- PARTS PACKAGED UNASSEMBLED
- $\triangle 2$.250 MAX PANEL THICKNESS
- MATERIAL AND FINISH:
 BODY: BRASS, SILVER PLATING
 CENTER CONTACT: BERYLLIUM COPPER, GOLD PLATING
 DIELECTRIC: POLYPROPYLENE
 NUT: BRASS, SILVER PLATING
 LOCK WASHER: STAINLESS STEEL, SILVER PLATING
 FERRULE: BRASS, SILVER PLATING
- FOR USE WITH MICRODOT 2-3932 & 2-3934 CABLE



2-329940-1
 PART NUMBER

THIS DRAWING IS A CONTROLLED DOCUMENT.		DWN RITA ZUO 24SEP2014	 TE Connectivity													
DIMENSIONS: INCHES		CHK ANSON MA 24SEP2014														
TOLERANCES UNLESS OTHERWISE SPECIFIED:		APVD MARTIN YE 24SEP2014	NAME CONNECTOR, COAXIAL, R.F. TWIN THREADED SERIES RECEPTACLE													
<table border="0"> <tr> <td>0 PLC</td> <td>± -</td> </tr> <tr> <td>1 PLC</td> <td>± -</td> </tr> <tr> <td>2 PLC</td> <td>± -</td> </tr> <tr> <td>3 PLC</td> <td>± -</td> </tr> <tr> <td>4 PLC</td> <td>± -</td> </tr> <tr> <td>ANGLES</td> <td>± -</td> </tr> </table>		0 PLC	± -	1 PLC	± -	2 PLC	± -	3 PLC	± -	4 PLC	± -	ANGLES	± -	PRODUCT SPEC -	RESTRICTED TO -	
0 PLC	± -															
1 PLC	± -															
2 PLC	± -															
3 PLC	± -															
4 PLC	± -															
ANGLES	± -															
MATERIAL -		FINISH -	APPLICATION SPEC 408-1833	SIZE A3												
		WEIGHT -	CAGE CODE 00779	DRAWING NO C-329940												
CUSTOMER DRAWING			SCALE 5:1	SHEET 1 OF 1												
			REV F													

Mouser Electronics

Authorized Distributor

Click to View Pricing, Inventory, Delivery & Lifecycle Information:

[TE Connectivity:](#)

[2-329940-1](#)