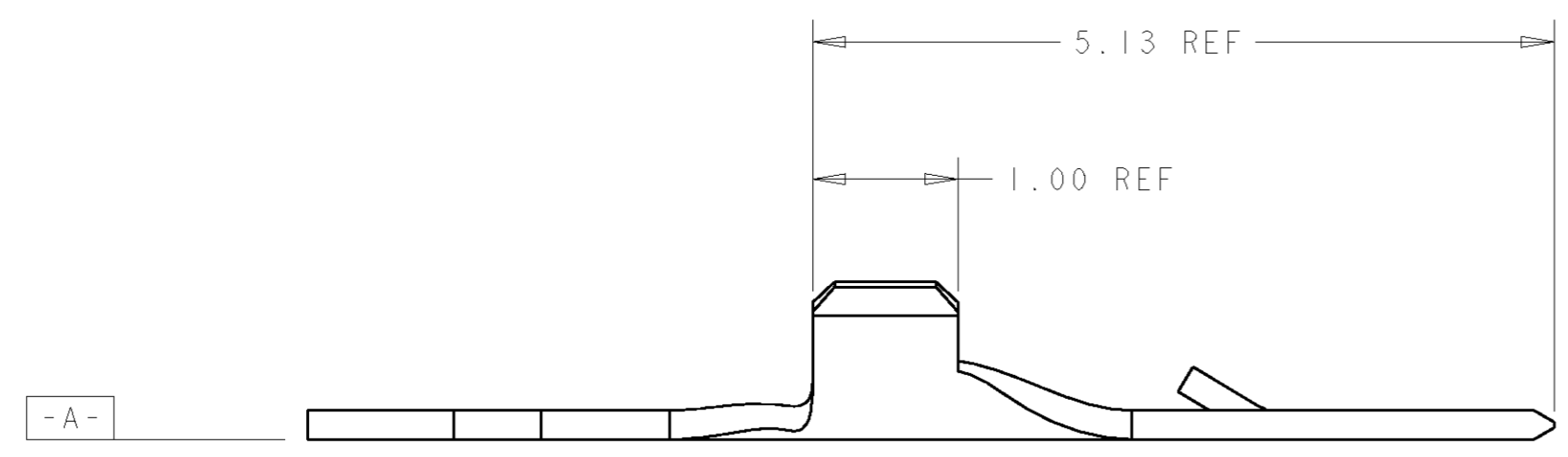
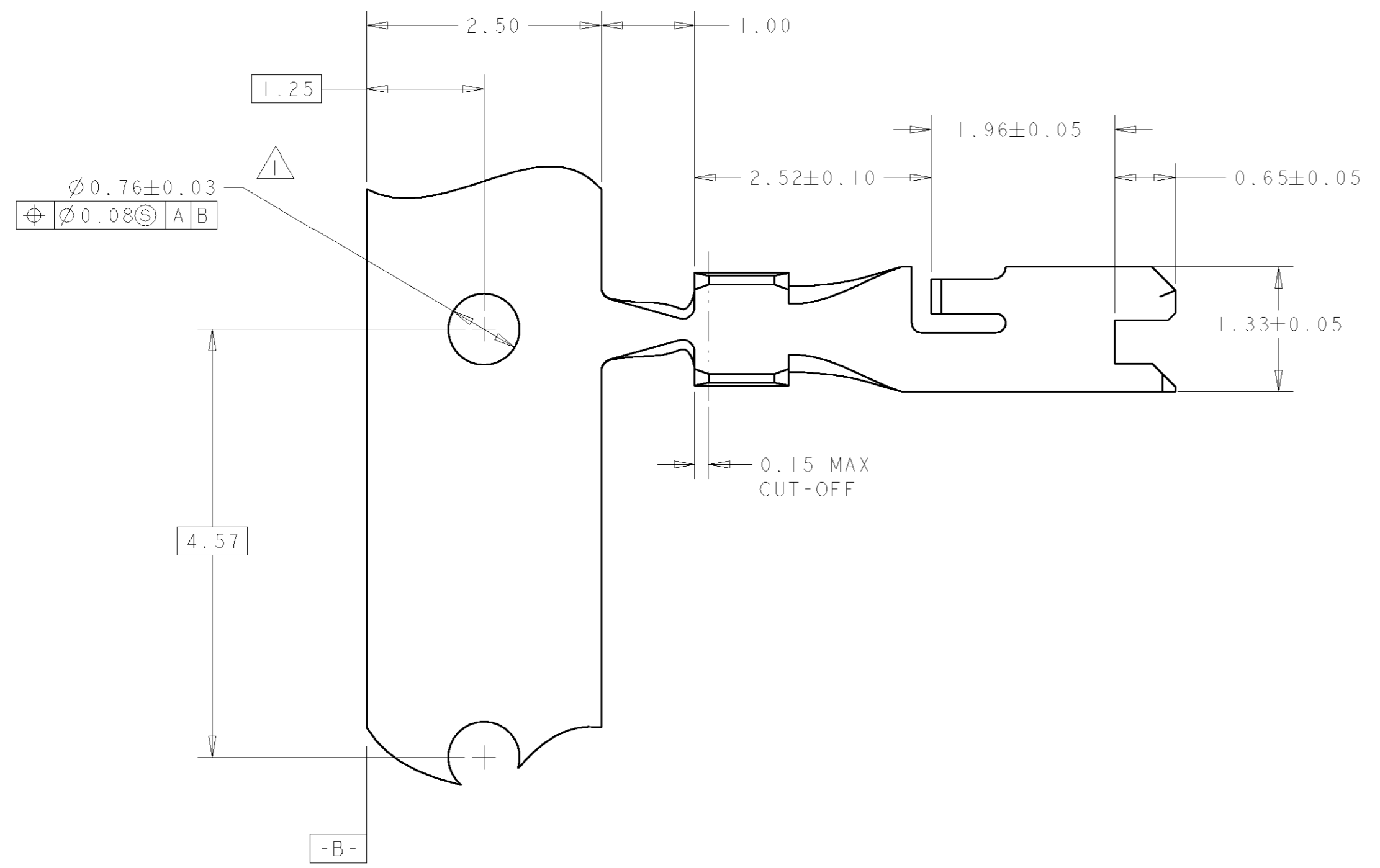
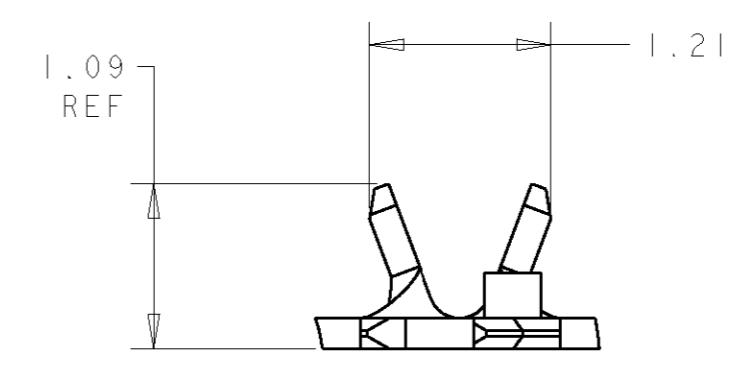


THIS DRAWING IS UNPUBLISHED. RELEASED FOR PUBLICATION .19
 © COPYRIGHT 19 BY AMP INCORPORATED. ALL RIGHTS RESERVED.

LOC	DIST	REVISIONS					
		P	LTR	DESCRIPTION	DATE	DWN	APVD
AD	00		O	REV PER 0G3C-0326-01	17DEC01	RB	JM
			A	REV PER 0G3C-0367-03	27OCT03	RB	JM
			B	0G3C-0490-04	20FEB2006	RB	DR



- 1 APPLIES OVER ANY FIVE FEEDS.
- 2 MATERIAL: PHOSPHOR BRONZE.
- 3 0.76 μm MIN GOLD IN MATING AREA.
2.54 μm - 5.08 μm TIN-LEAD IN CRIMP AREA.
BOTH OVER 1.27 μm MIN NICKEL ON ENTIRE STOCK.
- 4. RECOMMENED WIRE: 28 AWG WITH MAX INSULATION DIAMETER OF 0.61.
- 5 0.76 μm MIN GOLD IN MATING AREA.
2.54 μm - 5.08 μm TIN IN CRIMP AREA.
BOTH OVER 1.27 μm MIN NICKEL ON ENTIRE STOCK.



5	5-1375876-2
3	1375876-2
FINISH	PART NUMBER

THIS DRAWING IS A CONTROLLED DOCUMENT FOR AMP INCORPORATED. IT IS SUBJECT TO CHANGE AND THE CONTROLLING ENGINEERING ORGANIZATION SHOULD BE CONTACTED FOR THE LATEST REVISION.		DWN K. KOEGL	06 JUN 2000	AMP Tyco Electronics Harrisburg, PA 17105-3608
		CHK W. DAVIS	06 JUN 2000	
DIMENSIONS: mm		TOLERANCES UNLESS OTHERWISE SPECIFIED:		NAME AMPMODU MICRO INTERCONNECT PLUG CONTACT
0 PLC ±		1 PLC ±		PRODUCT SPEC 108-1955
2 PLC ±0.13		3 PLC ±		APPLICATION SPEC 114-13051
4 PLC ±		ANGLES ±		SIZE A2
MATERIAL 2		FINISH SEE TABLE		CAGE CODE 00779
		WEIGHT -		DRAWING NO 1375876
		CUSTOMER DRAWING		SCALE 20:1
				SHEET 1
				OF 1
				REV B

Mouser Electronics

Authorized Distributor

Click to View Pricing, Inventory, Delivery & Lifecycle Information:

[TE Connectivity:](#)

[1375876-2](#)