

4

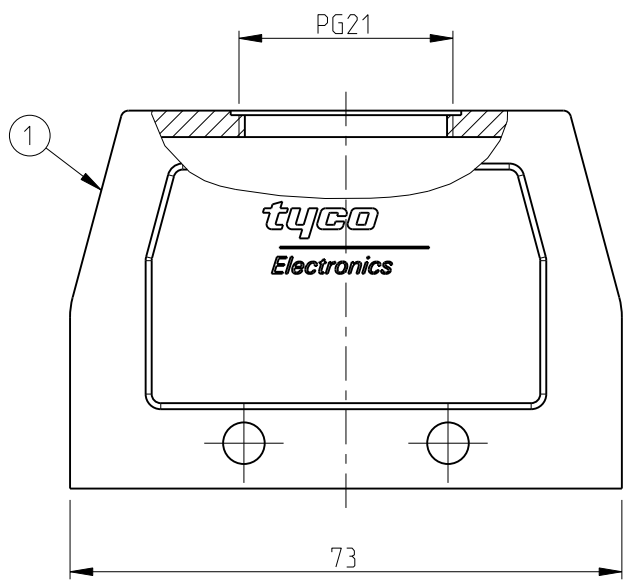
3

2

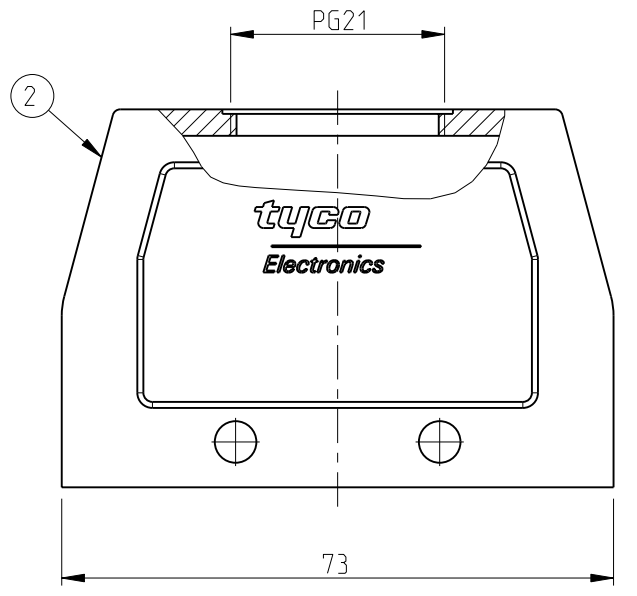
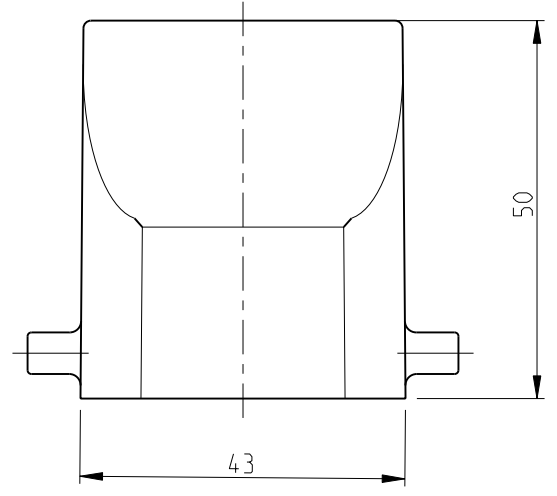
1

THIS DRAWING IS UNPUBLISHED. RELEASED FOR PUBLICATION .1997
 © COPYRIGHT 1997 BY TYCO ELECTRONICS CORPORATION. ALL RIGHTS RESERVED.

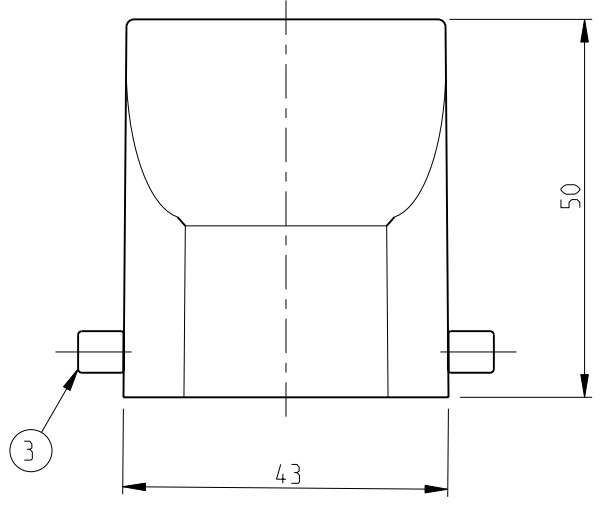
LOC	DIST	REVISIONS					
		P	LTR	DESCRIPTION	DATE	DWN	APVD
A1	-	A3		Released as per ECR-07-030422	17.12.07	SP	TS



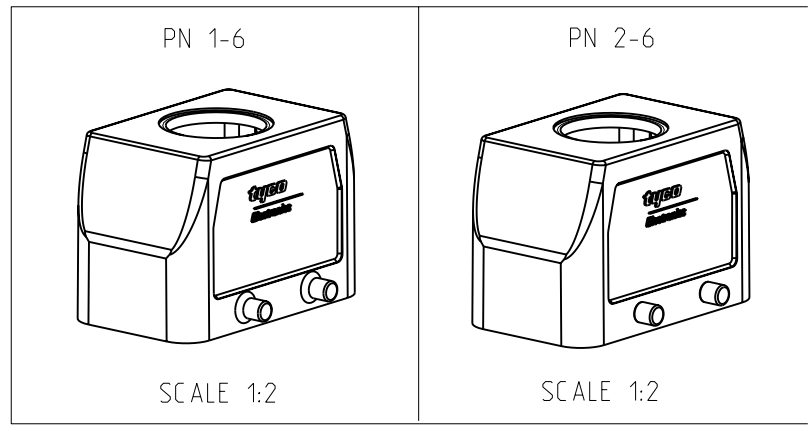
PN 1-6



PN 2-6



- NOTES.
- 1 Material:Housing:Aluminium Diecasting Alloy
 - 2 Surface-Powder Varnish Grey
-Aluminium Oxide +
Varnish Black
 - 3 Varnish on the inside not necessary
 - 4 Packaging
Quantity 5 Pieces in a box



4	1	1	2-6	1-6	DESCRIPTION	MATERIAL	SURFACE	COLOR	ITEM NO	REMARKS
					VS-Clip bolt	Stainless steel	-		3	-
					Hood HB.10.PG.1.21	Aluminium	Aluminium oxide	Black	2	-
					Hood HB.10.PG.1.21	Aluminium	-	Grey	1	-

HB.10.STO.1.21.G
 HB-K.10.STO.1.21.G

THIS DRAWING IS A CONTROLLED DOCUMENT FOR TYCO ELECTRONICS CORPORATION
 IT IS SUBJECT TO CHANGE AND THE CONTROLLING ENGINEERING ORGANIZATION
 SHOULD BE CONTACTED FOR THE LATEST REVISION.

DIMENSIONS:	TOLERANCES UNLESS OTHERWISE SPECIFIED:
mm	0 PLC ±
	1 PLC ±
	2 PLC ±
	3 PLC ±
	4 PLC ±
	ANGLES ±
MATERIAL -	FINISH -

DWN	Schneider	15.06.99		Tyco Electronics, AMP.GmbH D-53819, Neunkirchen, Germany	
CHK	Schweiger	15.06.99			
APVD	-	-	NAME Hood HB.10.STO.1.21.G		
PRODUCT SPEC	108-74003		SIZE	CAGE CODE	DRAWING NO
APPLICATION SPEC	114-74001		A3	00779	©=1102270
WEIGHT	-		RESTRICTED TO	-	
CUSTOMER DRAWING			SCALE	SHEET	REV
			1:1	1 OF 1	A3

Mouser Electronics

Authorized Distributor

Click to View Pricing, Inventory, Delivery & Lifecycle Information:

[TE Connectivity:](#)

[2-1102270-6](#)