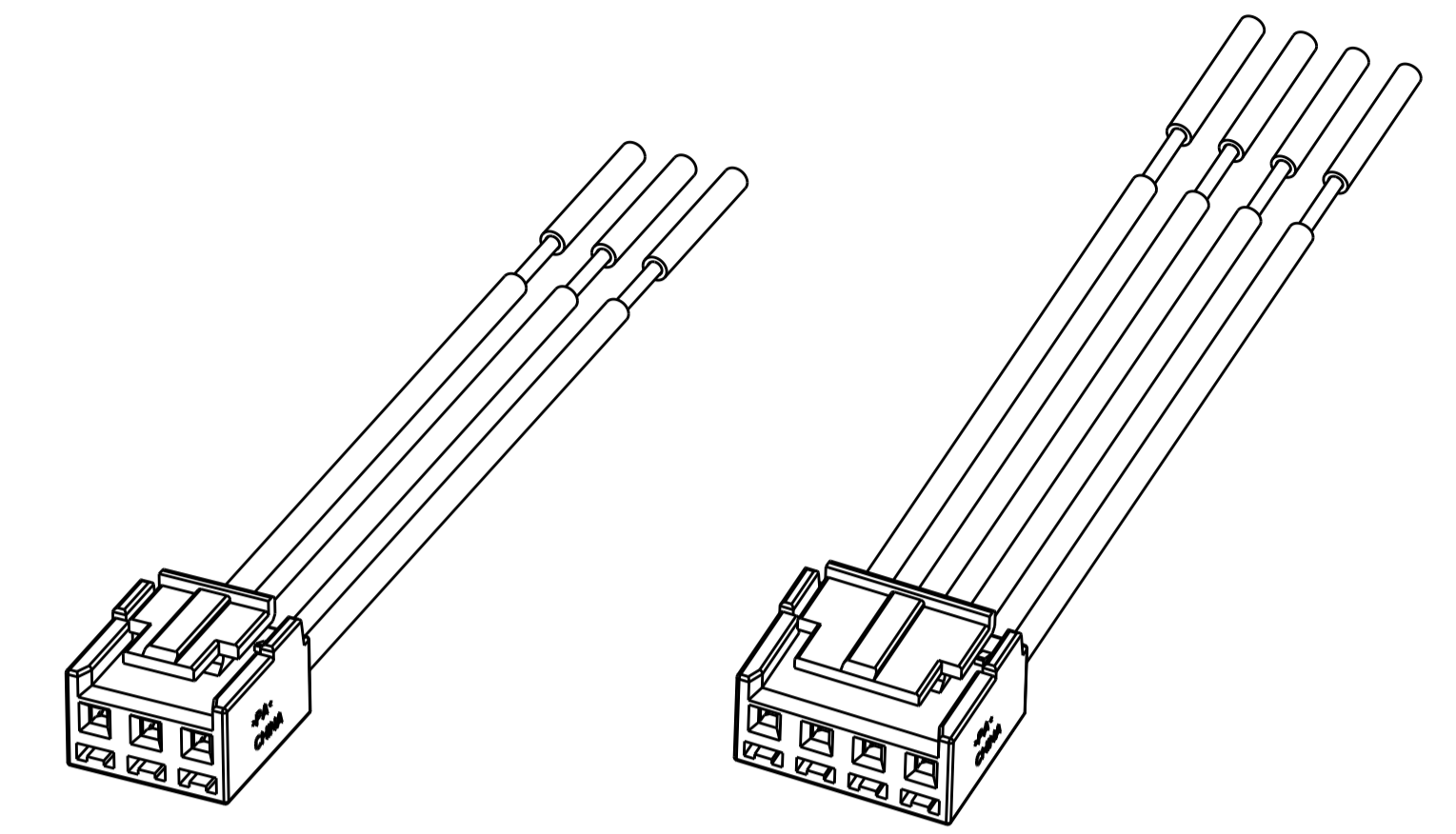
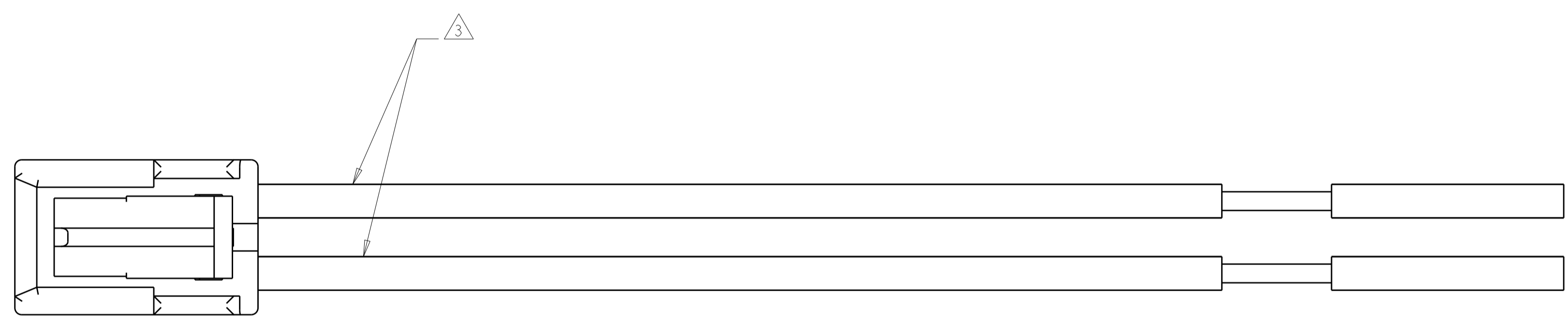
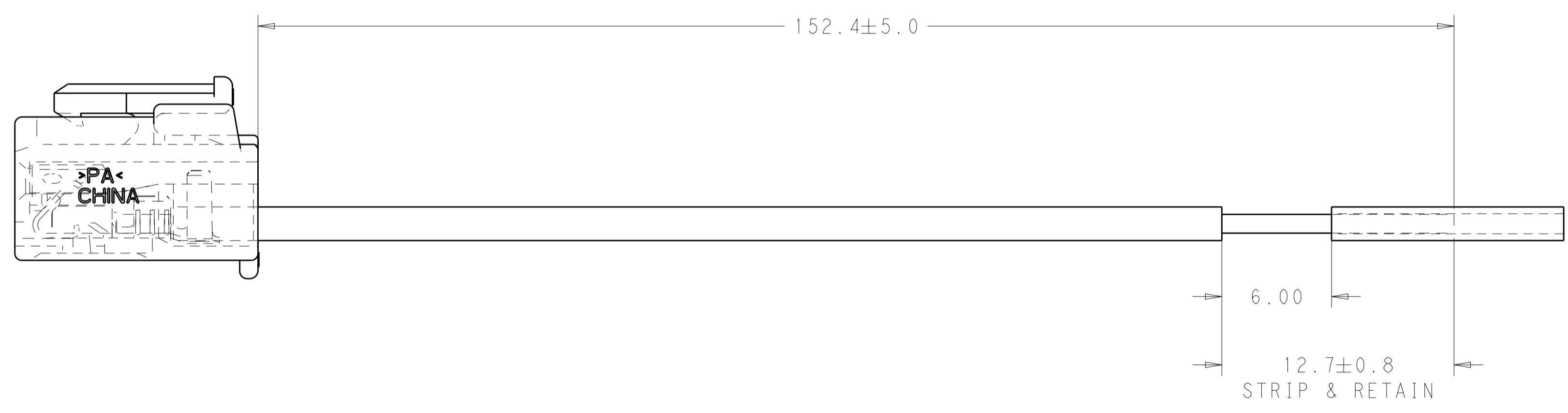


REVISONS		DATE	OWN	APVD
P	LTN			
A		10APR2013	RS	DD



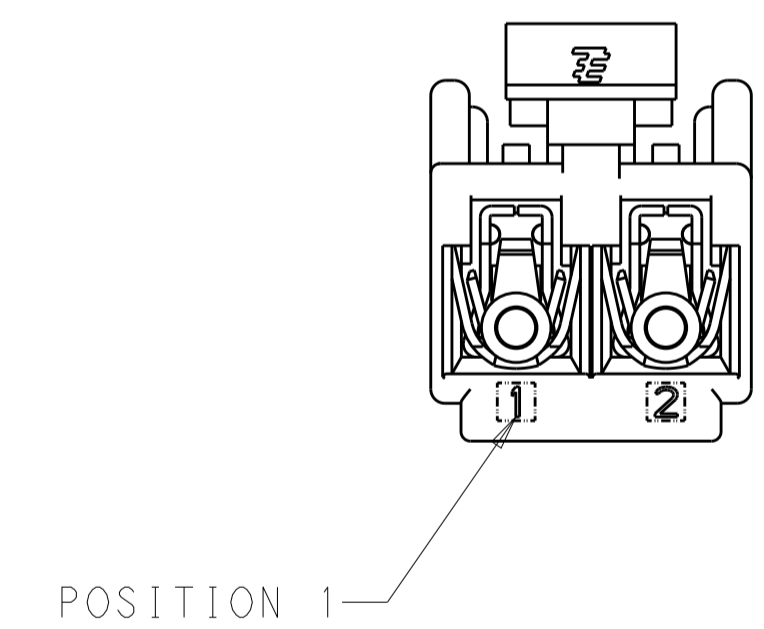
ISOMETRIC VIEW  
3 POSITION

ISOMETRIC VIEW  
4 POSITION



P/N: 2154828-1 (2 POSITION)  
SCALE 5:1

WIRE COLOR CHART <span style="float:right">△3</span>			
4	-	-	ORANGE
3	-	BLUE	BLUE
2	RED	RED	RED
1	BLACK	BLACK	BLACK
POSN.	WIRE COLOR		
PART NUMBER	-1	-2	-3



- △1 MATERIALS AND FINISH:  
-HOUSING: PBT, COLOR: NATURAL  
-CONTACTS: COPPER ALLOY, FINISH: PRE-TIN  
-WIRE: 18AWG STRANDED, UL 1007 STYLE
- 2. MUST COMPLY WITH DIRECTIVE 2002/95/EC (RHOS)
- △3 REFER TO TABLE FOR WIRE COLORS
- △4 PENDING APPROVAL

4	2154828-3
3	2154828-2
2	2154828-1
NO. POSN.	PART NUMBER

THIS DRAWING IS A CONTROLLED DOCUMENT.		OWN G. PETERS 03FEB2012	TE Connectivity
DIMENSIONS: mm		CHK C. GINGRICH 03FEB2012	
TOLERANCES UNLESS OTHERWISE SPECIFIED:		APVD C. GINGRICH	NAME
0 PLC ±		PRODUCT SPEC	CABLE ASSEMBLY, 18AWG WIRE, TO ECONOMY POWER II, PLUG, 3.96 PITCH
1 PLC ±0.13		APPLICATION SPEC	SIZE CAGE CODE DRAWING NO RESTRICTED TO
2 PLC ±		WEIGHT	A100779C=2154828
3 PLC ±		Customer Drawing	SCALE 1:1 SHEET 1 OF 1 REV A
4 PLC ±			
ANGLES ±			
FINISH			

# Mouser Electronics

Authorized Distributor

Click to View Pricing, Inventory, Delivery & Lifecycle Information:

[TE Connectivity:](#)

[2154828-2](#)