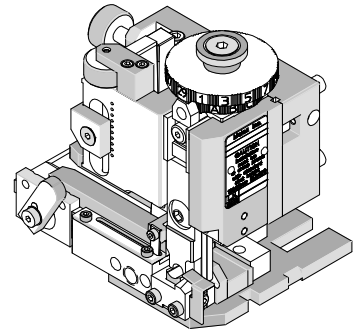




Mini-Mac Applicator Application Tooling Specification Mechanical Feed-Front Metal Strip Order No. 63895-0800



FEATURES

- Directly adapts to most automatic wire processing machines
- Applicator designed to industry standard mounting and shut height 135.80mm (5.346")
- Quick set-up time; plus the crimp height, track and feed adjustments can be set without removing the applicator from the press
- Fine adjustment allows users to achieve target with little effort by adjusting in increments of .015mm (.0006") for conductor crimp height and .063mm (.0025") for insulation height
- Independent adjustment rings allow users to quickly adjust the conductor or insulation crimp height without affecting each other.

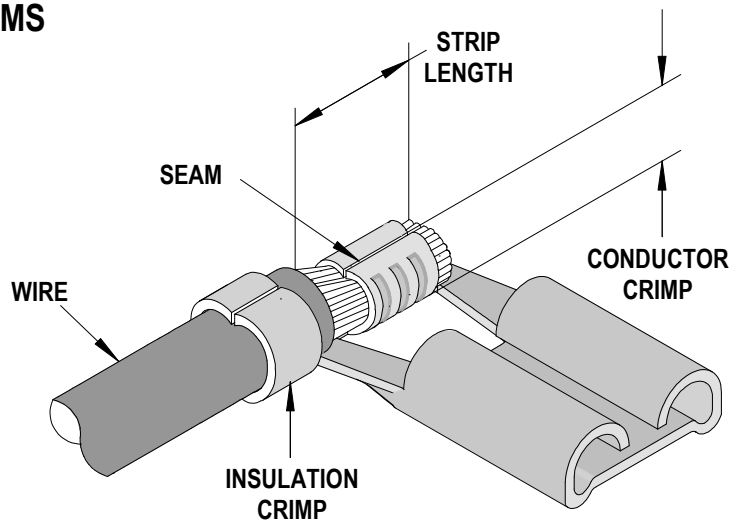
SCOPE

Products: Quick Disconnect, Female, Flag, for 0.50-1.00mm² (18-20 AWG) Wire, Accepts 6.35mm (.250") by 0.81mm (.032") Tab Crimp Terminals.

Terminal Series No.	Terminal Order No.		Wire Size		Insulation Diameter				Strip Length	
					IPC/WHMA-A620 ♦		Terminal (Max) ♦♦			
			AWG	mm ²	mm	In.	mm	In.	mm	In.
94030	94030-5010	94030-5011	-	2.50	2.10-2.60	.083-.102	3.70	.146	6.00-7.00	.236-.276
			-	1.50						
			-	1.00						

♦ To achieve optimum IPC-A620 insulation crimps, use this insulation OD range.
♦♦ Overall insulation OD specification for terminal.

DEFINITION OF TERMS



The above terminal drawing is a generic terminal representation. It is not an image of any terminal listed in the scope.

CRIMP SPECIFICATION

After crimping, the crimp profiles should measure the following:

Terminal Series No.	Wire Size		Conductor				Insulation				Pull Force Minimum	
			Crimp Height		Crimp Width Maximum		Crimp Height (Ref)		Crimp Width Maximum			
	AWG	mm ²	mm	In.	mm	In.	mm	In.	mm	In.	N	Lb.
94030	-	2.50	2.05-2.15	.081-.085	2.95	.116	3.35-3.45	.132-.136	4.50	.177	245.2	55.12
	-	1.50	1.85-1.95	.073-.077	2.95	.116	2.85-2.95	.112-.116	4.50	.177	196.1	44.09
	-	1.00	1.70-1.80	.067-.071	2.95	.116	2.70-2.80	.106-.110	4.50	.177	156.9	35.27

* Tool Qualification Notes:

1. Pull Force should be measured with no influence from the insulation crimp.
2. The above specifications are guidelines to an optimum crimp.

PARTS LIST

Mini-Mac Applicator 63895-0800				
Item	Order No	Engineering No.	Description	Quantity
Perishable Tooling				
	63895-0870	63895-0870	Tool Kit (All "Y" Items)	REF
1	63475-0003	63475-0003	Conductor Punch-2.80pw	1 Y
2	63895-0802	63895-0802	Anvil	1 Y
3	63476-0003	63476-0003	Insulation Punch-4.40pw	1 Y
4	63456-0056	63456-0056	Insulation Anvil	1 Y
5	63895-0705	63895-0705	Cut Punch Left	1 Y
6	63895-0706	63895-0706	Cut Punch Right	1 Y
7	63895-0703	63895-0703	Cut-Off Die-Front	2 Y
8	63895-0735	63895-0735	Lifter	1 Y
9	63895-0734	63895-0734	Retainer Lifter	1 Y
Other Components (Ref. 50850)				
10	11-18-5015	60805A122	Front Cover	1
11	11-24-1067	4996-4	Cut Off Plunger Spring	1
12	63443-2310	63443-2310	3.50mm Spacer	1
13	63600-2995	63600-2995	Compression Spring	2
14	63890-0042	63890-0042	Terminal Drag Cover	1
15	63890-0046	63890-0046	Rear Cover	1
16	63890-0866	63890-0866	Collar-6.40 Long	1
17	63895-0731	63895-0731	Guide Cut Punch	1
18	63895-0732	63895-0732	Key 37	1
19	63895-0733	63895-0733	Key 16	1
20	63895-0736	63895-0736	Wire Stop	1
21	63895-0737	63895-0737	Punch Spacer 3.65	1
22	63895-0738	63895-0738	Tooling Washer	1
Frame				
23	63801-3201	63801-3201	Top	1
24	63801-3281	63801-3281	Base	1
25	63801-4650	63801-4650	Track	1
Hardware				
26	N/A	N/A	M2.5 by 20 Long SHCS	2**
27	N/A	N/A	M3 by 6 Long FHCS	2**
28	N/A	N/A	M3 by 6 Long SHCS	4**
29	N/A	N/A	M4 by 12 Long BHCS	2**
30	N/A	N/A	M4 by 50 Long SHCS	2**
31	N/A	N/A	M8 by 35 Long BHCS	1**
32	N/A	N/A	2.5mm by 8 Lg Roll Pin	3**
** Available from an industrial supply company such as MSC (1-800-645-7270).				

Assembly Drawing

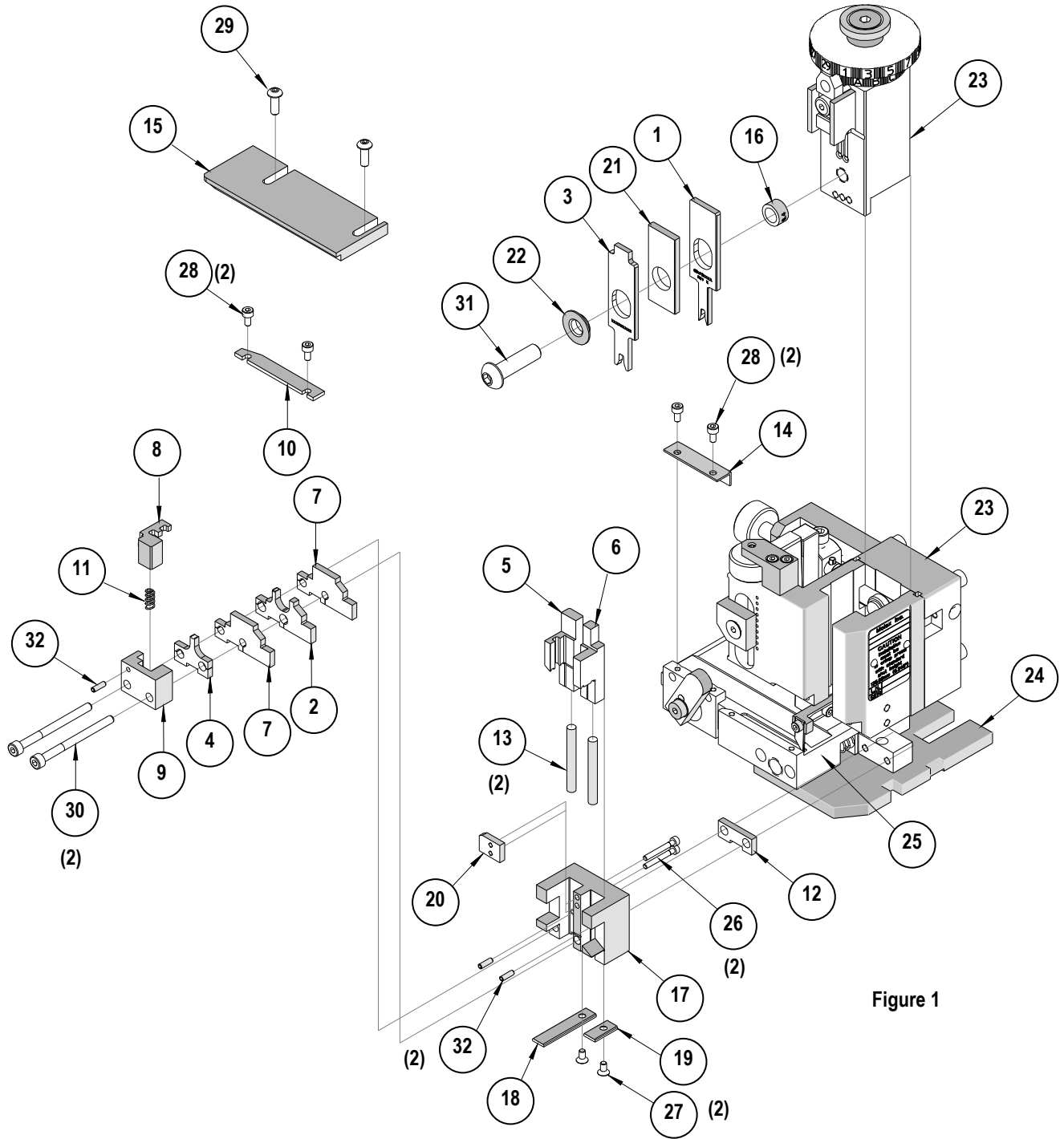


Figure 1

NOTES

1. Molex recommends an extra perishable tooling kit be maintained at your facility.
2. Verify tooling alignment by manually cycling the press with applicator before crimping under power. Check that all screws are tight.
3. Slugs, terminals, dirt, and oil should be kept clear of work area.
4. Wear safety glasses at all times.
5. For recommended maintenance refer to the Mini-Mac Applicator Manual (Document no. 63880-0000).

CAUTION: This applicator should only be used in a press with a shut height of 135.80 mm (5.346"). Tooling damage could result at a lower setting.

CAUTION: To prevent injury, never operate this applicator without the guards supplied with the press or wire-processing machine in place. Reference the press or wire processing manufacturer's instruction manual.

CAUTION: Molex crimp specifications are valid only when used with Molex terminals, applicators and tooling.

Contact Information

For more information on Molex application tooling please contact Molex at 1-800-786-6539.

Americas Headquarters
Lisle, Illinois 60532 U.S.A.
1-800-78MOLEX
amerinfo@molex.com

Far East North Headquarters
Yamato, Kanagawa, Japan
81-462-65-2324
feninfo@molex.com

Far East South Headquarters
Jurong, Singapore
65-6-268-6868
fesinfo@molex.com

European Headquarters
Munich, Germany
49-89-413092-0
eurinfo@molex.com

Corporate Headquarters
2222 Wellington Ct.
Lisle, IL 60532 U.S.A.
630-969-4550
Fax: 630-969-1352

Visit our Web site at <http://www.molex.com>

Mouser Electronics

Authorized Distributor

Click to View Pricing, Inventory, Delivery & Lifecycle Information:

[Molex:](#)

[63895-0802](#) [63895-0870](#)