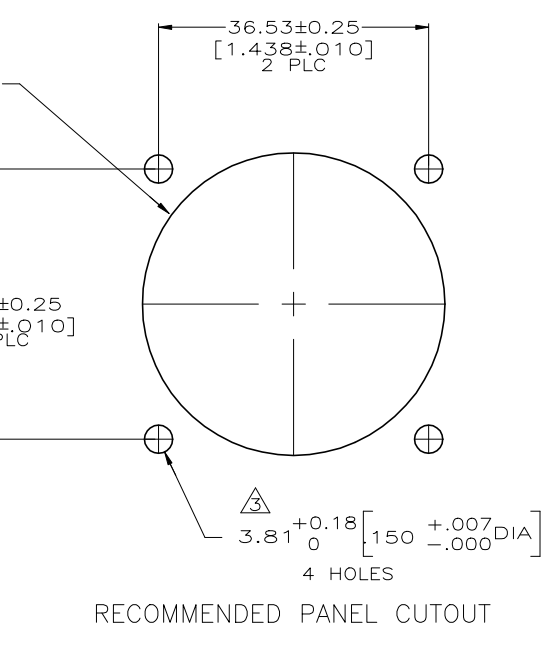
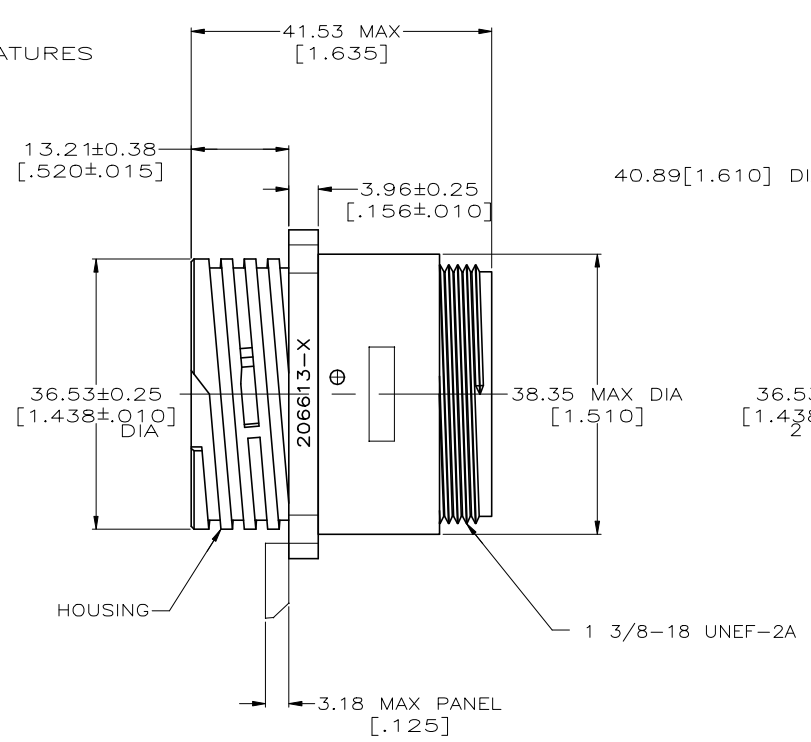
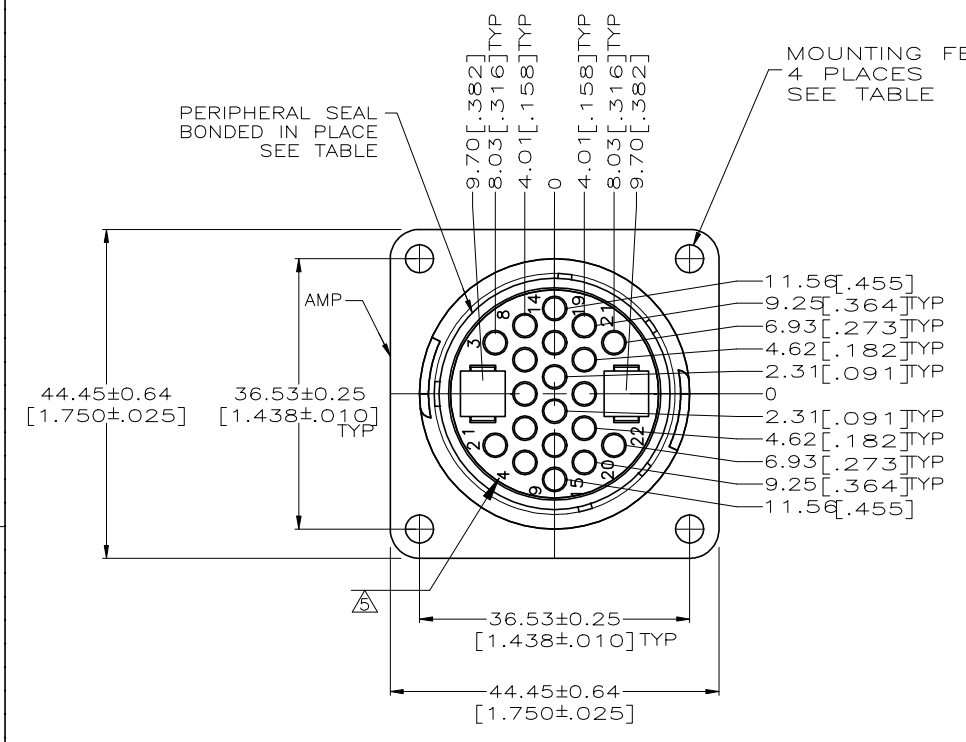
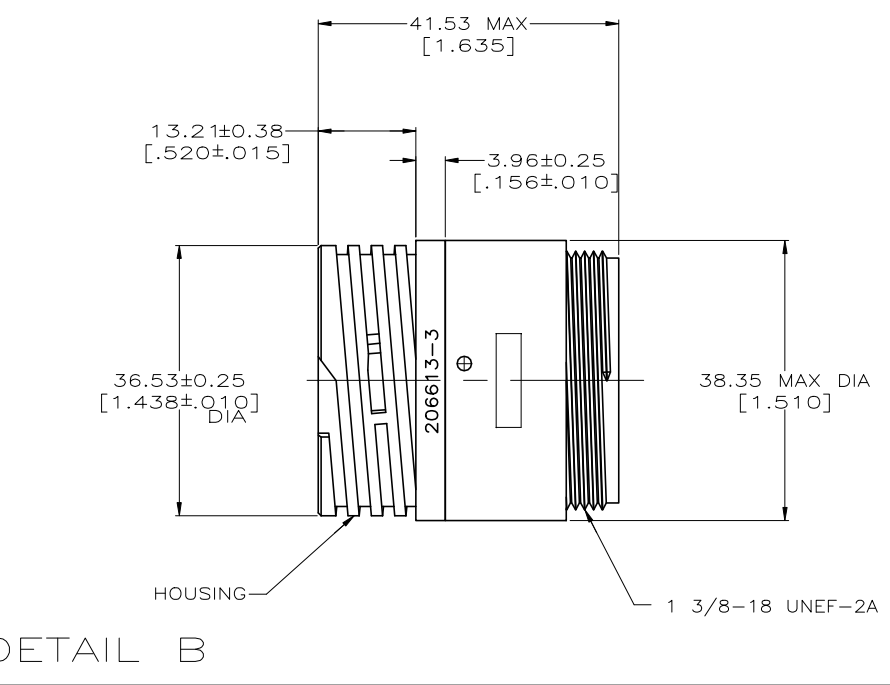
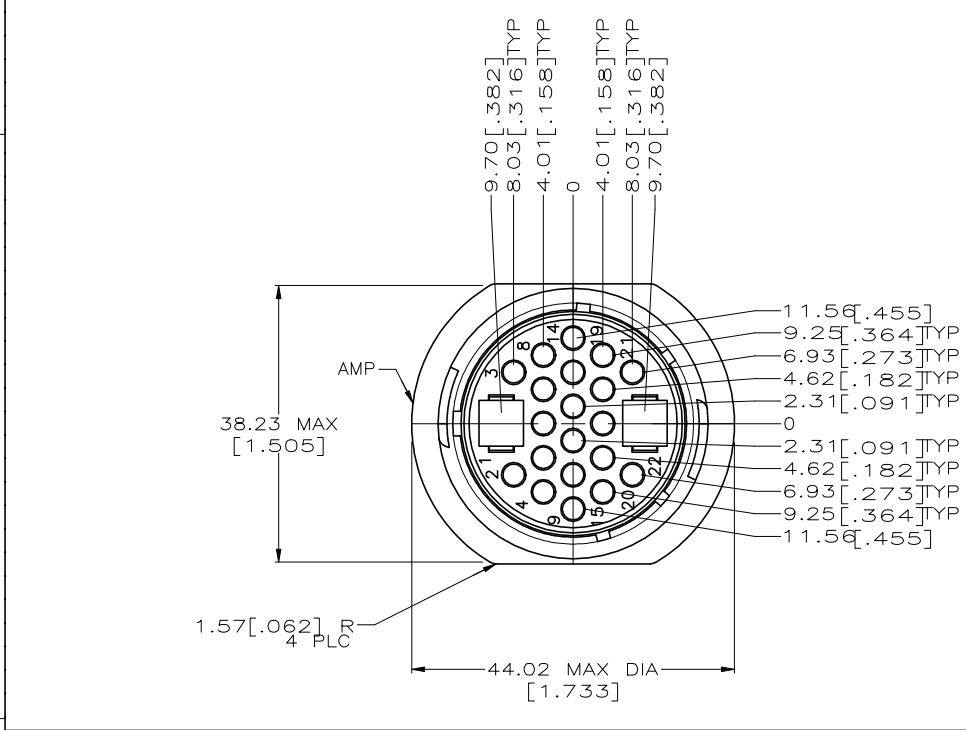


REVISIONS				
#	LTR	DESCRIPTION	DATE	BY / APPD
R		REVISED PER ECO-11-004820	20APR2017	BDA / MZ
S		REVISED PER ECO-19-011232	07AUG2019	RS / MZ
T		REVISED PER ECO-19-014836	21OCT2019	RS / MZ



DETAIL A



DETAIL B

- WILL ACCEPT (20) MULTIMATE AND 2 TYPE XII PIN CONTACTS.
- CAVITY IDENTIFICATION ON FRONT AND REAR FACE.
- NUMBER 4 FASTENERS RECOMMENDED FOR MOUNTING.
- HOUSING: NYLON, BLACK.  
PERIPHERAL SEAL: ELASTOMER, BLACK.  
THREADED INSERT: BRASS
- PERMANENT WHITE MARKED OR WHITE INK STAMPED CAVITY IDENTIFICATION.
- HOUSING: NYLON, RED.  
PERIPHERAL SEAL: ELASTOMER, BLACK.
- WHITE DOT NEAR POSITION 1 ON WIRE ENTRY FACE.

NOTES	MOUNTING FEATURE	PERIPHERAL SEAL	SEE DETAIL	PART NUMBER
OBSOLETE	⚠ 4	⚠ 4	⚠ 4	1-206613-2
OBSOLETE	⚠ 4	⚠ 4	⚠ 4	1-206613-0
OBSOLETE	⚠ 6	⚠ 6	⚠ 6	206613-9
PRELIMINARY	⚠ 4	⚠ 4	⚠ 4	206613-7
OBSOLETE	⚠ 4	⚠ 4	⚠ 4	206613-6
	⚠ 4	⚠ 4	⚠ 4	206613-5
	⚠ 4	⚠ 4	⚠ 4	206613-3
	⚠ 4	⚠ 4	⚠ 4	206613-1

THIS DRAWING IS A CONTROLLED DOCUMENT. DWG: M.BINNER 05/26/94  
 CHK: R.STONE 6-23-94

DIMENSIONS: INCHES

TOLERANCES UNLESS OTHERWISE SPECIFIED:  
 0 PLC ± -  
 1 PLC ± -  
 2 PLC ± 0.13 [.005]  
 3 PLC ± -  
 4 PLC ± -  
 ANGLES ± -

PRODUCT SPEC: 108-10024  
 APPLICATION SPEC: -

MATERIAL: 4

WEIGHT: -

SIZE: A1  
 CAGE CODE: 00779  
 DRAWING NO: 206613  
 RESTRICTED TO: -

CUSTOMER DRAWING

SCALE: 2:1  
 SHEET: 1 of 1  
 REV: T

STE TE Connectivity  
 RECEPTACLE HOUSING, STANDARD  
 SEX, SHELL SIZE 23, CPC