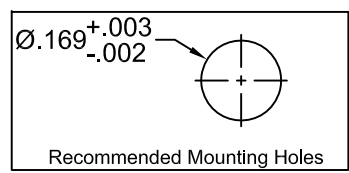
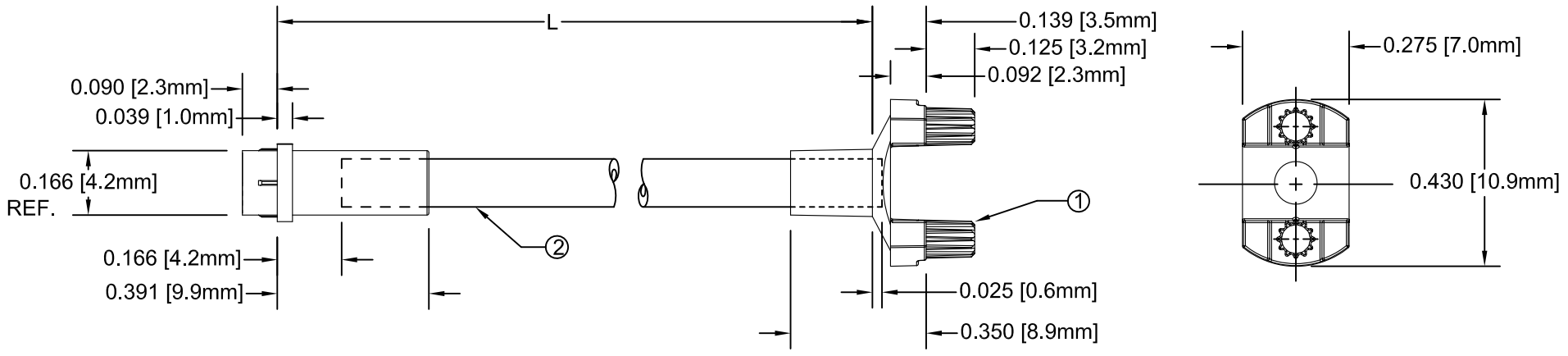


ITEM	Q'TY	PART NUMBER	PART DESCRIPTION
1	1	SMFLP2	Flexible Light Pipe 2mm Adapter, Surface Mount
2	1	FLPF-XX.X	Flexible Light Pipe Lens Cap Assembly, 2mm, Flat Face

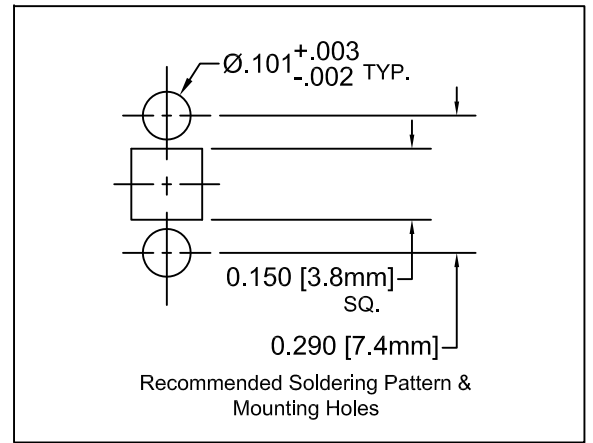
REV.	DESCRIPTION	DATE	APPROVED
A	Engineering Release	09/14/09	T. Y.
B	Updated Table For Length "L"	11/14/12	T. Y.

NOTE: SMFLP2 ADAPTER SHIPPED NON-ASSEMBLED



" L " *	Tolerance
1.0" ~ 16.0"	±0.050"
16.1" ~ 40.0"	±0.15"
40.1" ~ 80.0"	±0.30"
80.1" ~ 3,940.0"	±0.5%

* Available in 0.1" increments only



STANDARD TOLERANCE (UNLESS OTHERWISE SPECIFIED)		 BIVAR [®] 4 THOMAS, IRVINE, CA. 92618 TEL: (949) 951-8808 FAX: (949) 951-3974	
DECIMALS	ANGULAR		
.X ±.1	X° ± 1°	 TITLE: FLEXIBLE LIGHT PIPE ASSY, FLAT FACE, SM ADAPTER	
.XX ±.02			
.XXX ±.010			
DESIGNED: Brian Oliver	DATE: 09/14/09	PART NO: SMFLP2F-X.X	REVISION: B
CHECKED: Fred Jensen	DATE: 09/14/09	CAGE CODE: 32559	SHEET # 1 OF 1
CAD GENERATED DOCUMENT, DO NOT MEASURE DRAWING.			

Mouser Electronics

Authorized Distributor

Click to View Pricing, Inventory, Delivery & Lifecycle Information:

BIVAR:

[SMFLP2F-12.0](#) [SMFLP2F-1.5](#) [SMFLP2F-10.0](#) [SMFLP2F-10.5](#) [SMFLP2F-11.0](#) [SMFLP2F-11.5](#) [SMFLP2F-2.0](#)
[SMFLP2F-2.5](#) [SMFLP2F-3.0](#) [SMFLP2F-3.5](#) [SMFLP2F-4.0](#) [SMFLP2F-4.5](#) [SMFLP2F-5.0](#) [SMFLP2F-5.5](#) [SMFLP2F-](#)
[6.0](#) [SMFLP2F-6.5](#) [SMFLP2F-7.0](#) [SMFLP2F-7.5](#) [SMFLP2F-8.0](#) [SMFLP2F-8.5](#) [SMFLP2F-9.0](#) [SMFLP2F-9.5](#)