

PLEASE CHECK WWW.MOLEX.COM FOR LATEST PART INFORMATION

Part Number: [0847000001](#)
Status: **Active**
Overview: [Brad Industrial Ethernet Solutions](#)
Description: Receptacle, Inline, Industrial, 8/8

Documents:

[3D Model](#) [RoHS Certificate of Compliance \(PDF\)](#)
[Drawing \(PDF\)](#)

General

Product Family	Industrial Receptacles
Series	84700
IP Rating	IP67
Overview	Brad Industrial Ethernet Solutions
Product Name	RJ45
Type	PCB Mount
UPC	756054460405

Physical

Coupling Type	External Thread
Gender	Male
Keyway	None
Length	N/A
Material - Component	PBT
Mounting Thread Size	1" - 14 UNC
Net Weight	22.670/g
Orientation	Straight
Panel Mount	Front
Poles	N/A
Temperature Range - Operating	-20°C to +80°C
Wire Size AWG	N/A
Wire/Cable Type	N/A

Electrical

Current - Maximum per Contact	1.5A
Voltage - Maximum	125V

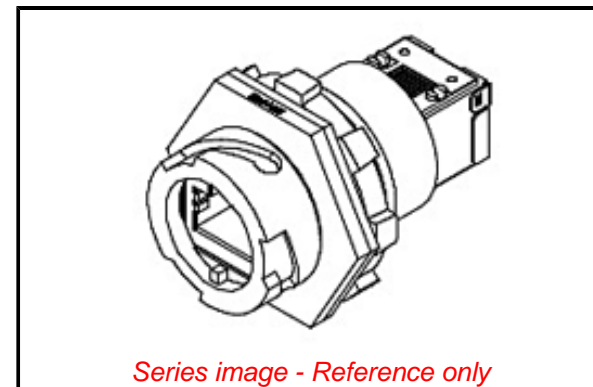
Solder Process Data

Lead-freeProcess Capability	N/A
-----------------------------	-----

Material Info

Reference - Drawing Numbers

Sales Drawing	SD-84700-007
---------------	--------------



EU ELV

Not Relevant

EU RoHS

Compliant

REACH SVHC

Not Contained Per -
ED/71/2019 (16 July
2019)

Halogen-Free

Status

Not Low-Halogen

For more information, please visit [Contact US](#)

China ROHS

ELV

RoHS Phthalates

China RoHS

Green Image

Not Relevant

Not Contained

Search Parts in this Series

[84700 Series](#)

Mates With

[847000002 Plug](#), [84702 Cable Assemblies](#)

Use With

[847000003 Dust Cover](#)

PLEASE CHECK WWW.MOLEX.COM FOR LATEST PART INFORMATION

Mouser Electronics

Authorized Distributor

Click to View Pricing, Inventory, Delivery & Lifecycle Information:

[Molex:](#)

[84700-0001](#)