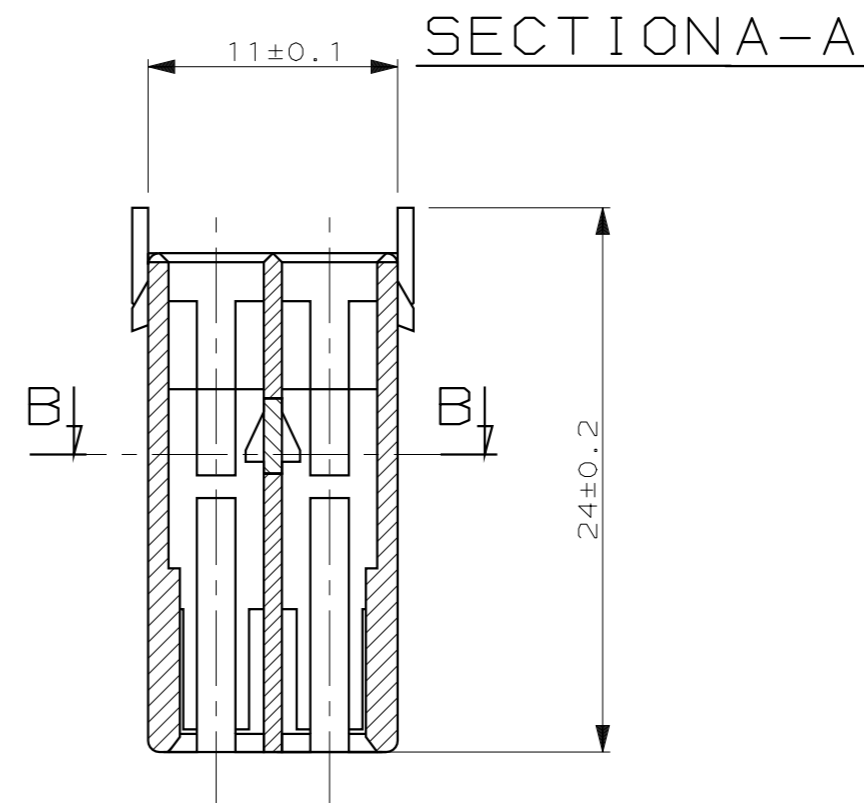
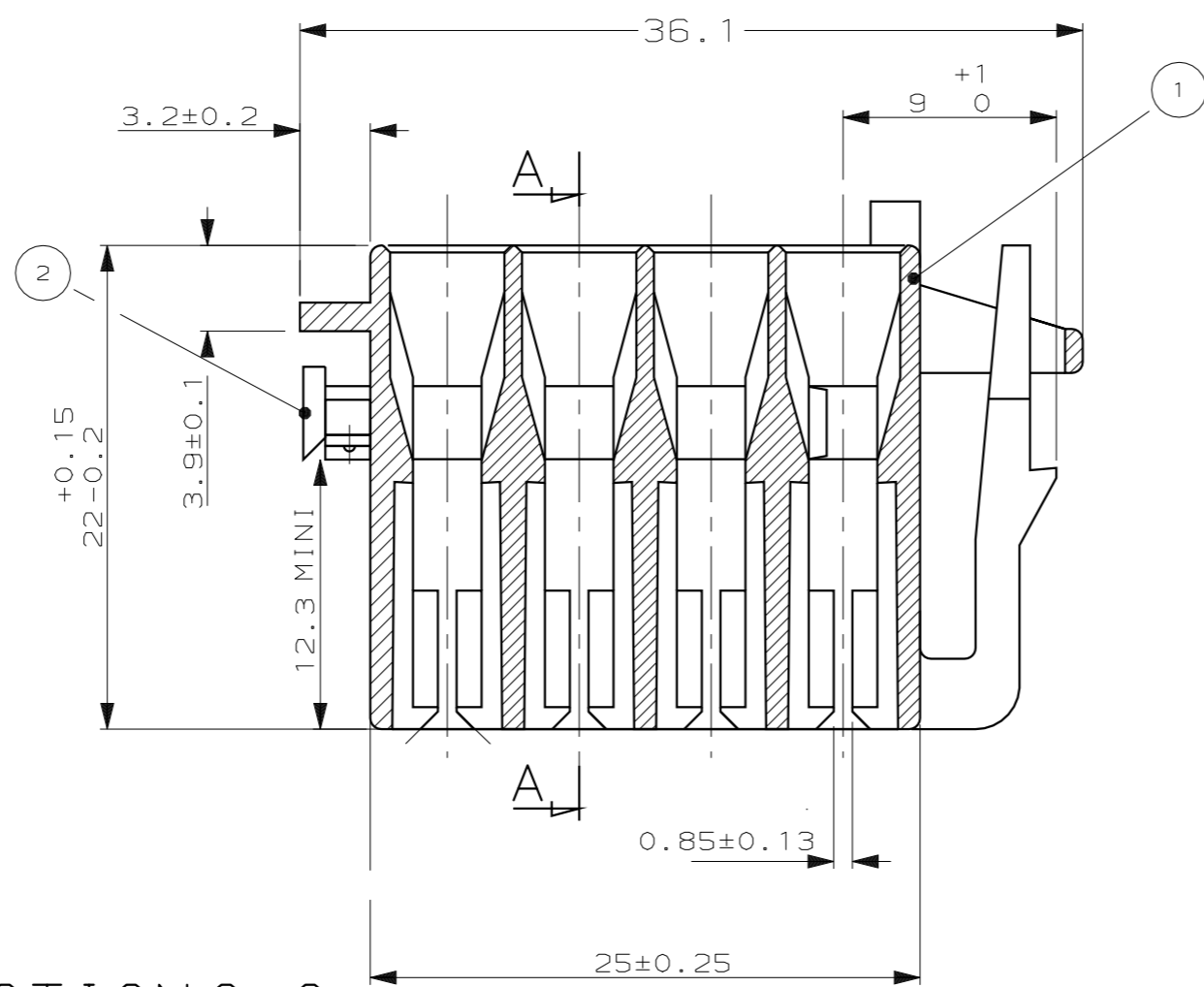
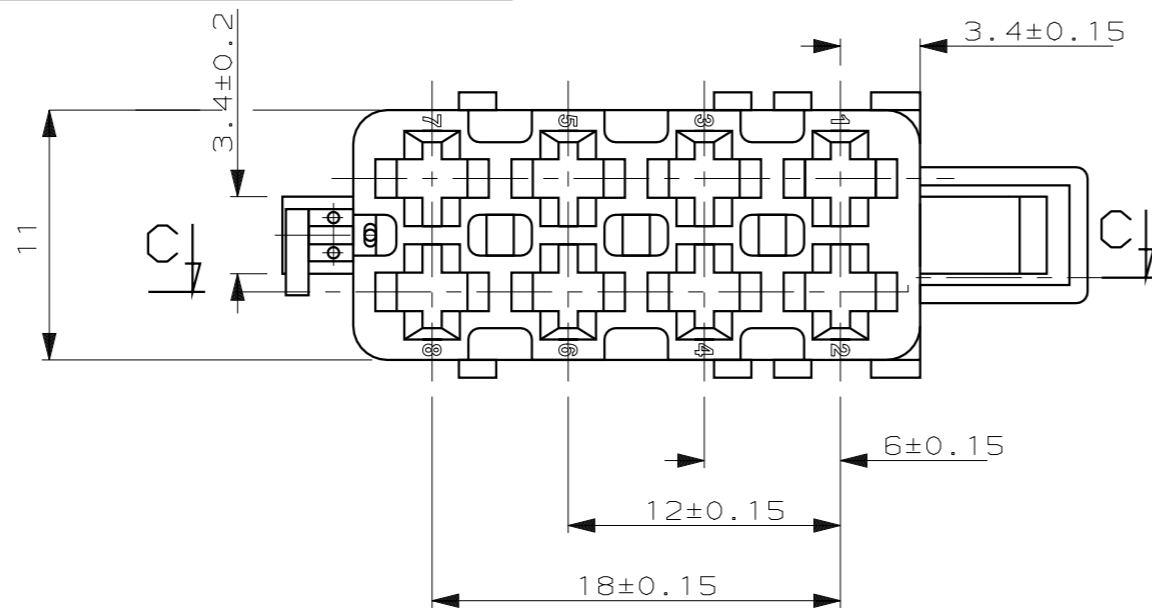


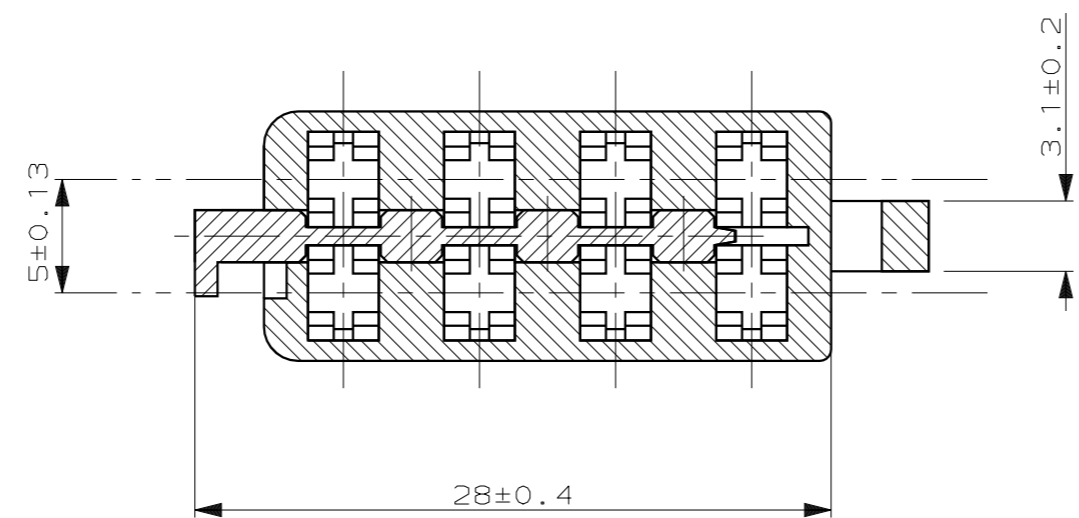
THIS DRAWING IS UNPUBLISHED.
 DIFFUSION RESEINTE AMP
 (C) COPYRIGHT 19 BY AMP INCORPORATED. ALL RIGHTS RESERVED.
 TOUS DROITS RESERVES.

LOC F DIST 7

REVISIONS					
P	LTR REV	DESCRIPTION MODIFICATIONS	DATE	DWN DESS.	APVD APP.
	A	AJOUT 1-144172-X	14-OCT-97	RB	-
	B	TRADUCTION ANGLAISE AJOUTEE	04-FEB-98	RP	-
	C	VOIR FEUILLE 2	14-MAR-00	RP	JPP
	E	REVISED PER ECR-05-008448	04-AUG-05	RP	JPP

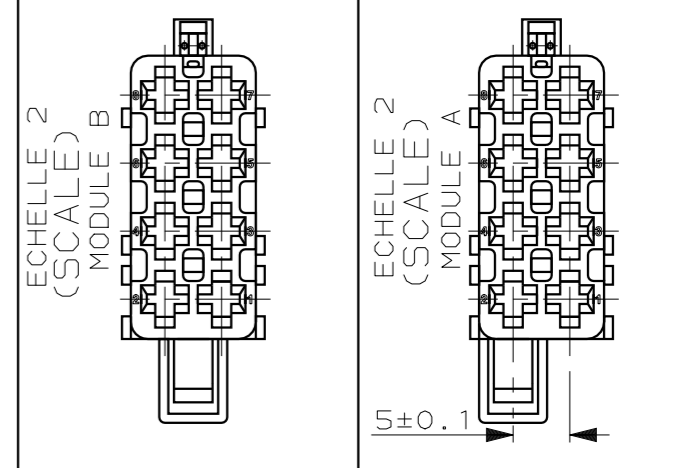


SECTION C-C



SECTION B-B

CODE	0-144172-2	0-144172-1
	0-144172-4	0-144172-3
	0-144172-6	0-144172-5
	0-144172-8	0-144172-7



0-144172-X	FEUILLE 1 (SHEET)
1-144172-X	FEUILLE 2 (SHEET)

0-144172-X COMME DESSINE (CAS DRAWN)

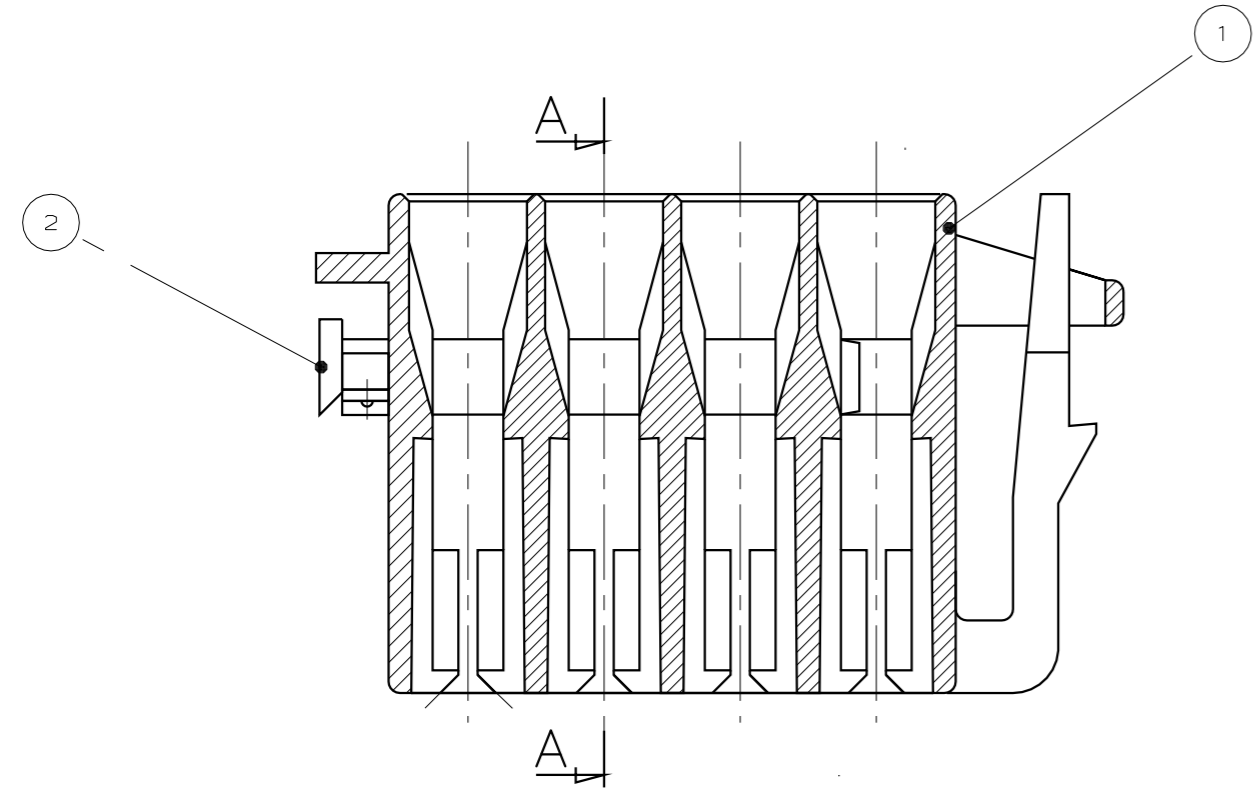
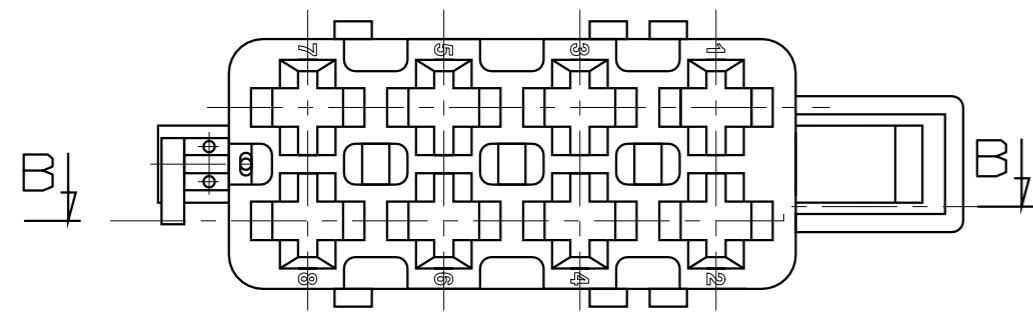
POUR STANDARD ISO
 FOR ISO STANDARD

SPECIFICATION PARTICULIERE AMP 108-15063
 UTILISABLE AVEC COUVERCLE: 144170
 (PARTICULAR AMP SPECIFICATION 108-15063)
 (USABLE WITH COVER: 144170)

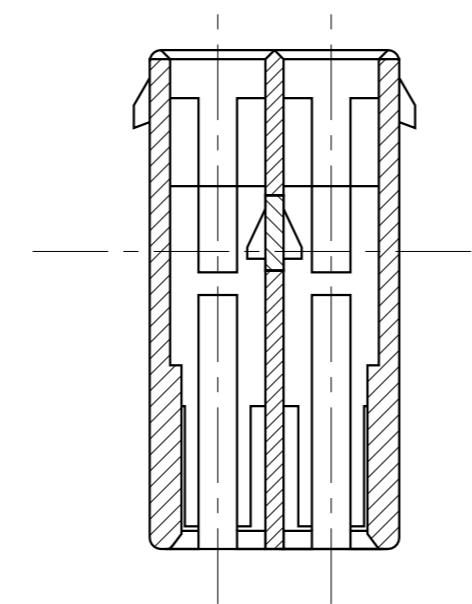
THIS DRAWING IS A CONTROLLED DOCUMENT. CE PLAN EST UN DOCUMENT CONTROLE.		DWN/DESSINE 24-OCT-96 Olivier PAMART	AMP AMP DE FRANCE 95301 PONTOISE
DIMENSIONS: mm		CHK/VERIFIE 18-FEB-98 JP. PICAUD	
TOLERANCES UNLESS OTHERWISE SPECIFIED: TOLERANCES NON SPECIFIEES (SUIV NB DE DECIMALES): 0-PLC/DEC ± 1-PLC/DEC ±0.2 2-PLC/DEC ± 3-PLC/DEC ± 4-PLC/DEC ±		APVD/APPROUVE 18-FEB-98 JJ. REVIL	NAME TITRE MODULE 8 VOIES AUTO-RADIO (MODULE 8 POS. RADIO CAP)
MATERIAL MATIERE PA 6-6 / 6F		PRODUCT SPEC SPEC. PRODUIT 108-15063	RESTRICTED TO
FINISH FINITION -		APPLICATION SPEC SPEC. APPLICATION	SIZE FORMAT A2
WEIGHT MASSE APPROX. 0.0036Kg		UNIQUEMENT POUR REFERENCE	CAGE CODE 00779
CUSTOMER DRAWING/PLAN CLIENT		SCALE ECHELLE 3:1	DRAWING NO TITRE C-144172
		SHEET FEUILLE 1 OF 2	REV E

THIS DRAWING IS UNPUBLISHED.
 DIFFUSION RESEINTE AMP
 (C) COPYRIGHT 19 BY AMP INCORPORATED. ALL RIGHTS RESERVED.
 TOUS DROITS RESERVES.

LOC		DIST		REVISIONS			
P	LTR	REV	DESCRIPTION	DATE	DWN	APVD	APP.
	C		PN 1-144169-1 A -4 AJOUTES DANS TABLEAU	14-MAR-00	RP	JPP	
	E		SEE SHEET 1	04-AUG-05	RP	JPP	



SECTION B-B



SECTION A-A

CODE	1-144172-2	1-144172-1
	1-144172-4	1-144172-3
	1-144172-6	1-144172-5
	1-144172-8	1-144172-7

ECHELLE 2 (SCALE) MODULE B	
ECHELLE 2 (SCALE) MODULE A	

*UNIQUEMENT POUR PRODUCTION AMP BRESIL
 (AMP BRAZIL PRODUCTION ONLY) [PA6.6 15%GF]

QTE COMPOSANT (QTY COMPONENT)												COLOR	P/N	DESIGNATION	REP.
1	1	1	1	1	1	1	1	1	1	1	1	YELLOW	144171-3	2nd LOCK*	2
1												YELLOW	144171-1	2nd LOCK	2
	1			1								NATURAL	1-144169-4	MODULE 8 POS.	1
		1			1							NATURAL	1-144169-3	MODULE 8 POS.	1
			1			1						BLACK	1-144169-2	MODULE 8 POS.	1
				1								BLACK	1-144169-1	MODULE 8 POS.	1

P/N: X-144172-X											
1-X-4	1-X-3	1-X-2	1-X-1	0-X-8	0-X-7	0-X-6	0-X-5	0-X-4	0-X-3	0-X-2	0-X-1
ACTIVE	INACTIVE	INACTIVE	ACTIVE	ACTIVE	ACTIVE	ACTIVE	ACTIVE	ACTIVE	ACTIVE	ACTIVE	ACTIVE

1-144172-X COMME DESSINE
 (AS DRAWN)

THIS DRAWING IS A CONTROLLED DOCUMENT. CE PLAN EST UN DOCUMENT CONTROLE.		DWN/DESSINE 24-OCT-96 Olivier PAMART		AMP DE FRANCE 95301 PONTOISE	
DIMENSIONS: mm		TOLERANCES UNLESS OTHERWISE SPECIFIED: (SUIV N° DE DECIMALES): 0-PLC/DEC: ± 1-PLC/DEC: ±0.2 2-PLC/DEC: ± 3-PLC/DEC: ± 4-PLC/DEC: ± ANGLES: ±5°		CHK/VERIFIE 18-FEB-98 JP. PICAUD	
MATERIAL MATIERE SEE SHEET 1		FINISH FINITION -		APVD/APPROUVE 18-FEB-98 JJ. REVIL	
WEIGHT MASSE APPROX. VOIR FEUILLE 1		PRODUCT SPEC SPEC. PRODUIT VOIR FEUILLE 1		NAME TITRE MODULE 8 VOIES AUTO-RADIO (MODULE 8 POS. RADIO CAP)	
CUSTOMER DRAWING/PLAN CLIENT		UNIQUEMENT POUR REFERENCE		SCALE ECHELLE 3:1	
SIZE FORMAT A2		CAGE CODE 00779		DRAWING NO TITRE C-144172	
SHEET FEUILLE 2		OF DE 2		REV E	

Mouser Electronics

Authorized Distributor

Click to View Pricing, Inventory, Delivery & Lifecycle Information:

[TE Connectivity:](#)

[144172-3](#)