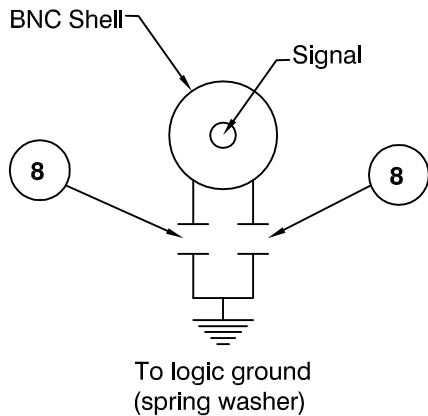
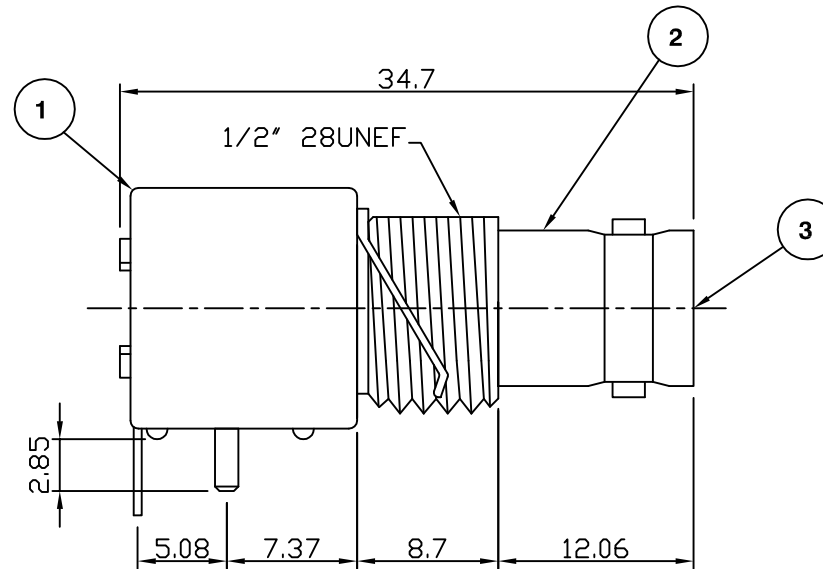
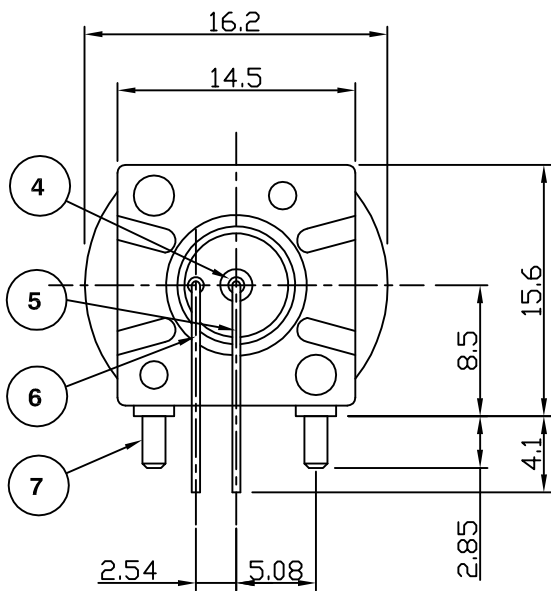
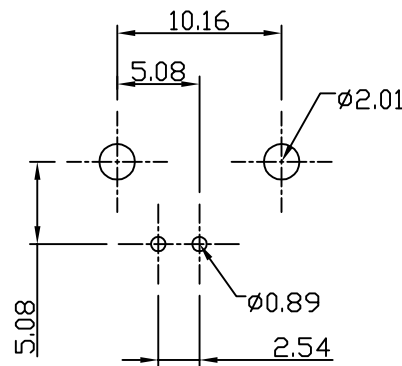


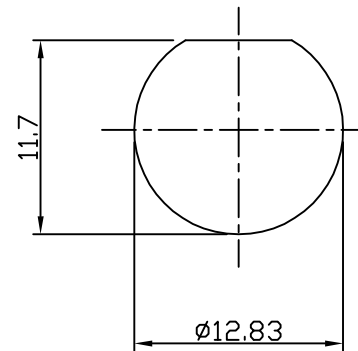
RoHS COMPLIANT



Capacitor Circuit Diagram



Recommended PCB Layout



Panel Cutout

Electrical Characteristics

Nominal Impedance:	50 ohms
Frequency Range:	DC to 1 GHz
Operating Voltage (rms):	500 V maximum at sea level
Dielectric Withstand Voltage (rms):	1500 V maximum at sea level
Contact Resistance:	3.0 milliohms maximum
Insulation Resistance:	5000 megohms minimum

Mechanical Characteristics

Mating Cycles:	500 cycles minimum
Interface Dimensions:	Conform to MIL-C-39012

Environmental Characteristics

Temperature Range:	-65 °C to +165 °C
--------------------	-------------------

PART	DESCRIPTION
1 Body	PBT + 30% Glass Fibre (UL 94V-0)
2 Body	Zinc Alloy, nickel plated
3 Dielectric	Polypropylene UL 94HB
4 Contact	Phosphor bronze, gold plated (interface)
5 Signal Contact	Phosphor bronze, tin plated
6 Ground Contact	Copper, tin plated
7 Mounting Post	Brass, tin plated
8 Ceramic Chip Capacitor	4700 pF $\pm 10\%$

Corrected note Item 5, was tin lead	MS	2	5 Sep 13
First Issue	SN	1	04 Feb 02
DESCRIPTION OF REVISION	APPVD	ISS	DATE



Cinch Connectivity Solutions
11 Bilton Road,
Chelmsford,
Essex, CM1 2UP
UK
Tel: +44 (0) 1245 359515
Fax: +44 (0) 1245 358938

SCALE: Not To Scale

DIMENSIONS: mm

TOLERANCES:
 $\pm 0.2\text{mm}$ unless
otherwise stated

DRAWN BY: S Nash

CHECKED BY: S Nash

APPROVED BY: M Nielsen

DATE: 04 Feb 02

TITLE:

BNC Right Angle PCB Mount
Jack Filter Connector

PART NUMBER:

VBF201

PAGE: 1 of 1

Mouser Electronics

Authorized Distributor

Click to View Pricing, Inventory, Delivery & Lifecycle Information:

[Cinch Connectivity Solutions:](#)

[VBF201](#)