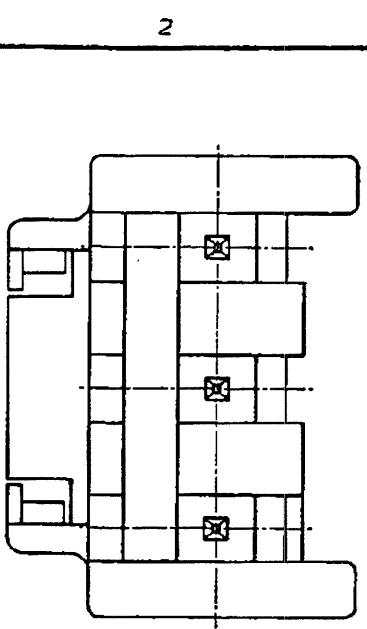
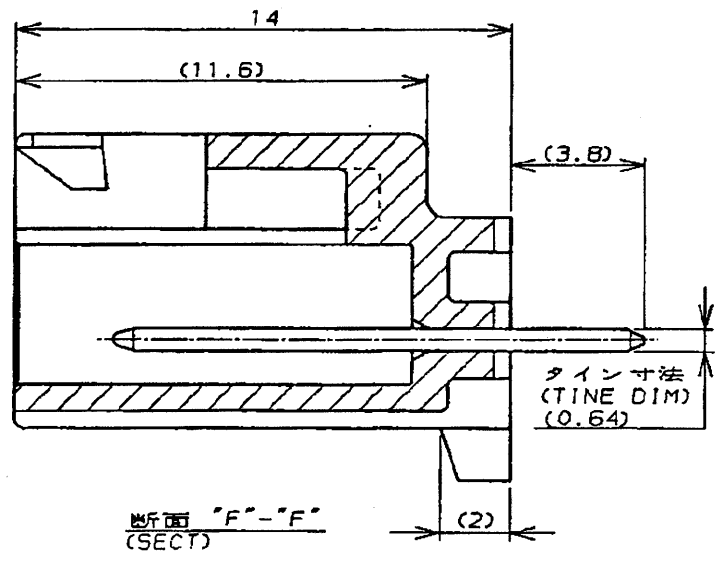
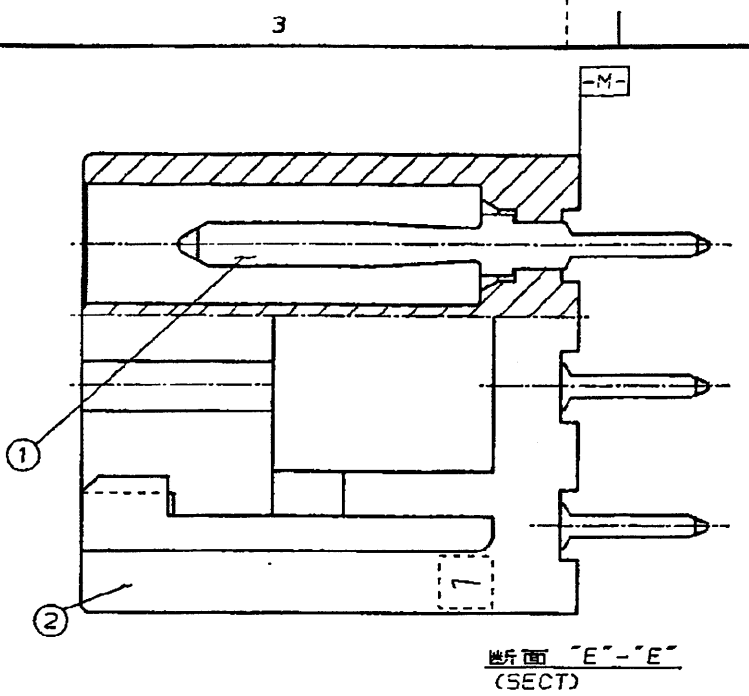
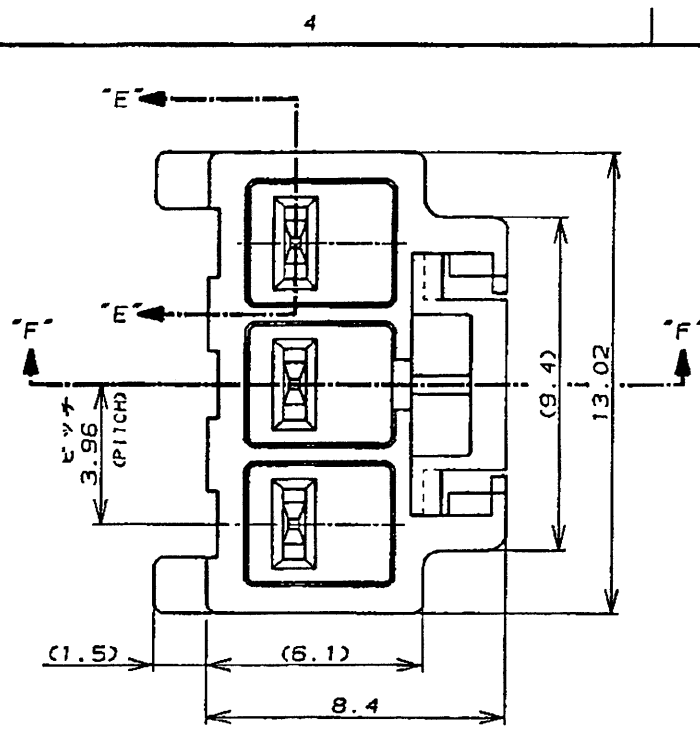


NUMBER C-176976

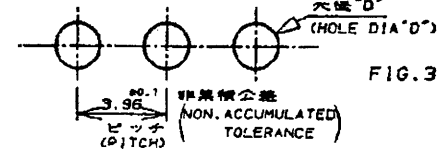
3.0mm (3rd ANGLE PROJECTION)

METRIC

PRINT DIST
02, #E DIMENSIONS IN MM. DO NOT SCALE PRINT



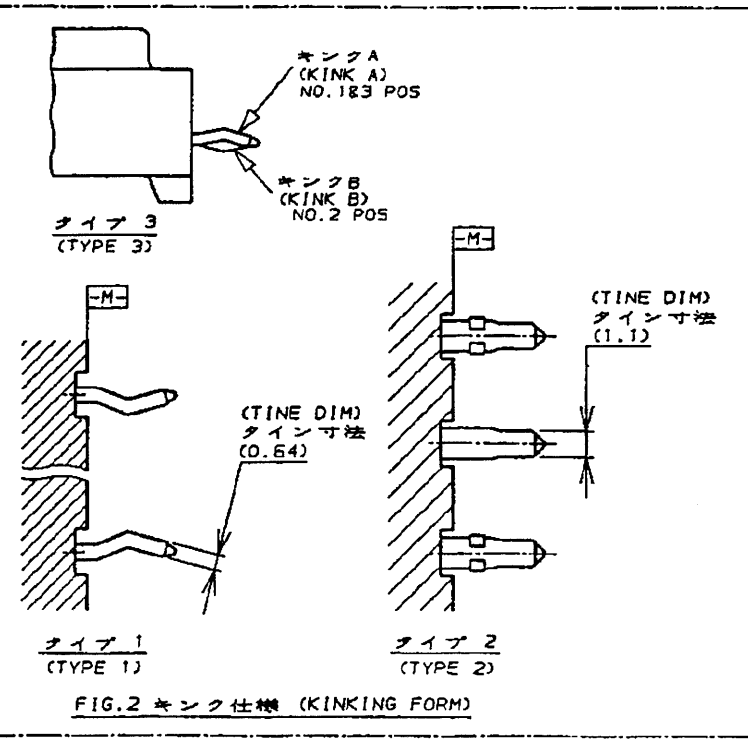
- 注:
1. 通用製品規格 108-5302
 2. キング加工は FIG.2 参照
 - △ 取付基板寸法



4. 通用基板厚 1.6t
- △ 3極ハウジングの回路NO.2のコンタクト1本抜き仕様
6. 嵌合相手側製品型番
 - ・ 3.96mmピッチ3極プラグ・ハウジング (176272-L)
 - ・ 7.92mmピッチ2極プラグ・ハウジング (178125-L)
 - ・ リセ・コンタクト (175152-L (AWG#20-#16) 175151-L (AWG#26-#22))

表1 TABLE1

NO.	名称 (NAME)	材料 (MATERIAL)
①	タブ (TAB)	黄銅 錫めっき (BRASS TIN PLATED)
②	ヘッダーハウジング (HEADER HOUSING)	6/6ナイロンガラス強化(94V-0) (6/6 NYLON GLASS FILLED) トラッキング・インデックス (CT) 175<TK250



- NOTES,
1. PRODUCT SPEC : 108-5302
 2. KINKING FORM : SEE FIG.2
 - △ P.C.B LAYOUT : SEE FIG.3
 4. APPLICABLE P.C.B. THK : 1.6
 - △ CIRCUIT NO.2 IS VACANT OF 3Pos HOUSING
 5. MATING CONN. P/N.
 - ・ 3.96mmPITCH 3Pos PLUG HSG (176272-L)
 - ・ 7.92mmPITCH 2Pos PLUG HSG (178125-L)
 - ・ RECE CONTACT 175152-L (AWG#20-#16) 175151-L (AWG#26-#22)

パンチ加工穴 (PUNCHED HOLE)	ドリル加工穴 (DRILLED HOLE)	タイプ (TYPE)	板厚 (THK)	幅 (WIDTH)	色 (COLOR)	ピッチ (PITCH)	位置 (POS)	P/N
1.50±0.05	1.65±0.05	タイプ2 (TYPE 2)	0.64	1.10	黒 (BLACK)	7.92mm	2極	6-176976-9
0.95±0.05	1.10±0.05	タイプ1 (TYPE 1)	0.64	0.64	黒 (BLACK)	7.92mm	2極	6- -6
0.95±0.05	1.10±0.05	タイプ3 (TYPE 3)	0.64	0.64	黒 (BLACK)	3.96mm	3極	6- -4
					青 (BLUE)	7.92mm	2極	6- -2
					黄 (YELLOW)	7.92mm	2極	6- -1
					赤 (RED)	7.92mm	2極	5- -9
					黒 (BLACK)	3.96mm	3極	5- -6
					青 (BLUE)	3.96mm	3極	5- -4
					黄 (YELLOW)	3.96mm	3極	5- -2
					赤 (RED)	3.96mm	3極	5- -1
					黒 (BLACK)	7.92mm	2極	3- -9
					青 (BLUE)	7.92mm	2極	3- -6
					黄 (YELLOW)	7.92mm	2極	3- -4
					赤 (RED)	7.92mm	2極	3- -2
					黒 (BLACK)	3.96mm	3極	3- -1
					青 (BLUE)	3.96mm	3極	-9
					黄 (YELLOW)	3.96mm	3極	-6
					赤 (RED)	3.96mm	3極	-4
					黒 (BLACK)	3.96mm	3極	-2
					黒 (BLACK)	3.96mm	3極	-1
					黒 (BLACK)	7.92mm	2極	176976-1
					黒 (BLACK)	7.92mm	2極	
					青 (BLUE)	7.92mm	2極	
					黄 (YELLOW)	7.92mm	2極	
					赤 (RED)	7.92mm	2極	
					黒 (BLACK)	3.96mm	3極	
					青 (BLUE)	3.96mm	3極	
					黄 (YELLOW)	3.96mm	3極	
					赤 (RED)	3.96mm	3極	
					黒 (BLACK)	3.96mm	3極	
					黒 (BLACK)	7.92mm	2極	
					青 (BLUE)	7.92mm	2極	
					黄 (YELLOW)	7.92mm	2極	
					赤 (RED)	7.92mm	2極	
					黒 (BLACK)	3.96mm	3極	
					青 (BLUE)	3.96mm	3極	
					黄 (YELLOW)	3.96mm	3極	
					赤 (RED)	3.96mm	3極	
					黒 (BLACK)	3.96mm	3極	
					黒 (BLACK)	7.92mm	2極	
					青 (BLUE)	7.92mm	2極	
					黄 (YELLOW)	7.92mm	2極	
					赤 (RED)	7.92mm	2極	
					黒 (BLACK)	3.96mm	3極	
					青 (BLUE)	3.96mm	3極	
					黄 (YELLOW)	3.96mm	3極	
					赤 (RED)	3.96mm	3極	
					黒 (BLACK)	3.96mm	3極	
					黒 (BLACK)	7.92mm	2極	
					青 (BLUE)	7.92mm	2極	
					黄 (YELLOW)	7.92mm	2極	
					赤 (RED)	7.92mm	2極	
					黒 (BLACK)	3.96mm	3極	
					青 (BLUE)	3.96mm	3極	
					黄 (YELLOW)	3.96mm	3極	
					赤 (RED)	3.96mm	3極	
					黒 (BLACK)	3.96mm	3極	
					黒 (BLACK)	7.92mm	2極	
					青 (BLUE)	7.92mm	2極	
					黄 (YELLOW)	7.92mm	2極	
					赤 (RED)	7.92mm	2極	
					黒 (BLACK)	3.96mm	3極	
					青 (BLUE)	3.96mm	3極	
					黄 (YELLOW)	3.96mm	3極	
					赤 (RED)	3.96mm	3極	
					黒 (BLACK)	3.96mm	3極	
					黒 (BLACK)	7.92mm	2極	
					青 (BLUE)	7.92mm	2極	
					黄 (YELLOW)	7.92mm	2極	
					赤 (RED)	7.92mm	2極	
					黒 (BLACK)	3.96mm	3極	
					青 (BLUE)	3.96mm	3極	
					黄 (YELLOW)	3.96mm	3極	
					赤 (RED)	3.96mm	3極	
					黒 (BLACK)	3.96mm	3極	
					黒 (BLACK)	7.92mm	2極	
					青 (BLUE)	7.92mm	2極	
					黄 (YELLOW)	7.92mm	2極	
					赤 (RED)	7.92mm	2極	
					黒 (BLACK)	3.96mm	3極	
					青 (BLUE)	3.96mm	3極	
					黄 (YELLOW)	3.96mm	3極	
					赤 (RED)	3.96mm	3極	
					黒 (BLACK)	3.96mm	3極	
					黒 (BLACK)	7.92mm	2極	
					青 (BLUE)	7.92mm	2極	
					黄 (YELLOW)	7.92mm	2極	
					赤 (RED)	7.92mm	2極	
					黒 (BLACK)	3.96mm	3極	
					青 (BLUE)	3.96mm	3極	
					黄 (YELLOW)	3.96mm	3極	
					赤 (RED)	3.96mm	3極	
					黒 (BLACK)	3.96mm	3極	
					黒 (BLACK)	7.92mm	2極	
					青 (BLUE)	7.92mm	2極	
					黄 (YELLOW)	7.92mm	2極	
					赤 (RED)	7.92mm	2極	
					黒 (BLACK)	3.96mm	3極	
					青 (BLUE)	3.96mm	3極	
					黄 (YELLOW)	3.96mm	3極	
					赤 (RED)	3.96mm	3極	
					黒 (BLACK)	3.96mm	3極	
					黒 (BLACK)	7.92mm	2極	
					青 (BLUE)	7.92mm	2極	
					黄 (YELLOW)	7.92mm	2極	
					赤 (RED)	7.92mm	2極	
					黒 (BLACK)	3.96mm	3極	
					青 (BLUE)	3.96mm	3極	
					黄 (YELLOW)	3.96mm	3極	
					赤 (RED)	3.96mm	3極	
					黒 (BLACK)	3.96mm	3極	
					黒 (BLACK)	7.92mm	2極	
					青 (BLUE)	7.92mm	2極	
					黄 (YELLOW)	7.92mm	2極	
					赤 (RED)	7.92mm	2極	
					黒 (BLACK)	3.96mm	3極	
					青 (BLUE)	3.96mm	3極	
					黄 (YELLOW)	3.96mm	3極	
					赤 (RED)	3.96mm	3極	
					黒 (BLACK)	3.96mm	3極	
					黒 (BLACK)	7.92mm	2極	
					青 (BLUE)	7.92mm	2極	
					黄 (YELLOW)	7.92mm	2極	
					赤 (RED)	7.92mm	2極	
					黒 (BLACK)	3.96mm	3極	
					青 (BLUE)	3.96mm	3極	
					黄 (YELLOW)	3.96mm	3極	
					赤 (RED)	3.96mm	3極	
					黒 (BLACK)	3.96mm	3極	
					黒 (BLACK)	7.92mm	2極	
					青 (BLUE)	7.92mm	2極	
					黄 (YELLOW)	7.92mm	2極	
					赤 (RED)	7.92mm	2極	
					黒 (BLACK)	3.96mm	3極	
					青 (BLUE)	3.96mm	3極	
					黄 (YELLOW)	3.96mm	3極	
					赤 (RED)	3.96mm	3極	
					黒 (BLACK)	3.96mm	3極	
					黒 (BLACK)	7.92mm	2極	
					青 (BLUE)	7.92mm	2極	
					黄 (YELLOW)	7.92mm	2極	
					赤 (RED)	7.92mm	2極	
					黒 (BLACK)	3.96mm	3極	
					青 (BLUE)	3.96mm	3極	
					黄 (YELLOW)	3.96mm	3極	
					赤 (RED)	3.96mm	3極	
					黒 (BLACK)	3.96mm	3極	
					黒 (BLACK)	7.92mm	2極	
					青 (BLUE)	7.92mm	2極	
					黄 (YELLOW)	7.92mm	2極	
					赤 (RED)	7.92mm	2極	
					黒 (BLACK)	3.96mm	3極	
					青 (BLUE)	3.96mm	3極	
					黄 (YELLOW)	3.96mm	3極	
					赤 (RED)	3.96mm	3極	
					黒 (BLACK)	3.96mm	3極	
					黒 (BLACK)	7.92mm	2極	
					青 (BLUE)	7.92mm	2極	
					黄 (YELLOW)	7.92mm	2極	
					赤 (RED)	7.92mm	2極	
					黒 (BLACK)	3.96mm	3極	
					青 (BLUE)	3.96mm	3極	
					黄 (YELLOW)	3.		

Mouser Electronics

Authorized Distributor

Click to View Pricing, Inventory, Delivery & Lifecycle Information:

[TE Connectivity:](#)

[3-176976-4](#)