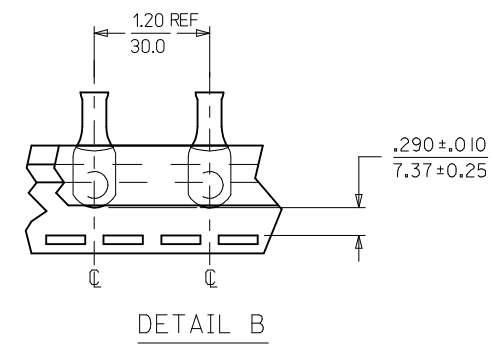
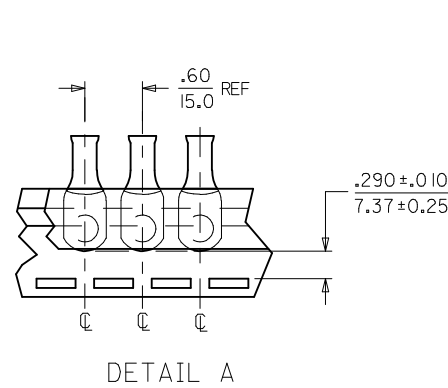
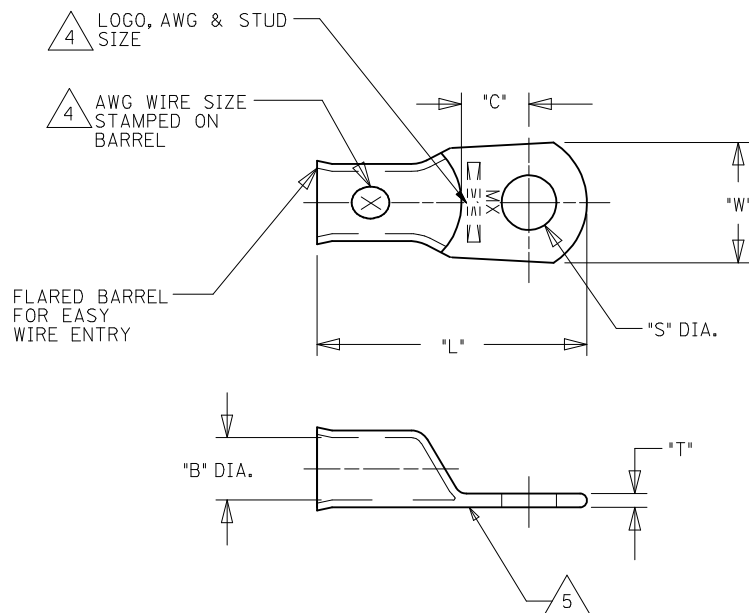


13	12	11	10	9	8	7	6	5	4	3	2	1					
UNPLATED MATERIAL NUMBER	UNPLATED ENG. NUMBER	UNPLATED MAT. NO. ON TAPE	UNPLATED ENG. NO. ON TAPE	PLATED MATERIAL NUMBER	PLATED ENGINEERING NUMBER	PLATED MAT. NO. ON TAPE	PLATED ENG. NO ON TAPE	SEE DETAIL	STUD SIZE	WIRE RANGE	"S"	"L"	"W"	"C"	"B"	"T"	
J	1922 I0408	BCL-8 I0	<del>190820012</del> BCL-8 I0T	1922 I0223	BCL-8 I0-PL	190820011	BCL-8 I0-PLT	A	10/4.8mm	8 AWG/10mm <sup>2</sup>	.214/5.45	1.187/30.15	.438/11.13	.376/9.55	.185/4.70	.070/1.78	
	1922 I0409	BCL-8 I4	190820014	BCL-8 I4T	1922 I0224	BCL-8 I4-PL	190820013	BCL-8 I4-PLT	A	1/4"/M6	8 AWG/10mm <sup>2</sup>	.278/7.06	1.187/30.15	.438/11.13	.376/9.55	.185/4.70	.070/1.78
	1922 I0562	BCL-8 I4-WP	---	---	1922 I0563	BCL-8 I4-WP-PL	---	---	---	1/4"/M6	8 AWG/10mm <sup>2</sup>	.278/7.06	1.313/33.35	.594/15.09	.422/10.72 (2)	.185/4.70	.070/1.78
	1922 I0411	BCL-85 I6	<del>190820017</del> BCL-85 I6T	1922 I0225	BCL-85 I6-PL	---	---	A	5/16"/M8	8 AWG/10mm <sup>2</sup>	.340/8.63	1.187/30.15	.438/11.13	.376/9.55	.185/4.70	.070/1.78	
	1922 I0482	BCL-85 I6-WP	---	---	1922 I0483	BCL-85 I6-WP-PL	190820016	BCL-85 I6-PLT	B	5/16"/M8	8 AWG/10mm <sup>2</sup>	.340/8.63	1.313/33.35	.594/15.09	.422/10.72	.185/4.70	.070/1.78
	1922 I0410	BCL-838-WP	190820015	BCL-838-WPT	1922 I0226	BCL-838-WP-PL	192210566	BCL-838-WP-PLT	B	3/8"/M9	8 AWG/10mm <sup>2</sup>	.400/10.16	1.313/33.35	.594/15.09	.422/10.72	.185/4.70	.070/1.78
I	1922 I0481	BCL-838-XWP	---	---	1922 I0484	BCL-838-XWP-PL	---	---	---	3/8"/M9	8 AWG/10mm <sup>2</sup>	.400/10.16	1.469/37.31	.766/19.46	.394/10.01	.185/4.70	.070/1.78
	1922 I0415	BCL-8 I2-XWP	---	---	1922 I0414	BCL-8 I2-XWP-PL	---	---	---	1/2"/M12	8 AWG/10mm <sup>2</sup>	.520/13.21	1.469/37.31	.766/19.46	.394/10.01	.185/4.70	.070/1.78
	1922 I0425	BCL-6 I0	---	---	1922 I0424	BCL-6 I0-PL	190820003	BCL-6 I0-PLT	B	10/4.8mm	6 AWG/16mm <sup>2</sup>	.214/5.45	1.281/32.54	.438/11.13	.381/9.68 (2)	.232/5.89	.075/1.90
	1922 I0406	BCL-6 I4-WP	<del>190820006</del> BCL-6 I4T	1922 I0227	BCL-6 I4-WP-PL	190820005	BCL-6 I4-PLT	B	1/4"/M6	6 AWG/16mm <sup>2</sup>	.278/7.06	1.406/35.72	.594/15.09	.427/10.85 (2)	.232/5.89	.080/2.03	
	1922 I0494	BCL-6 I4	---	---	1922 I0495	BCL-6 I4 -PL	<del>192210498</del> BCL-6 I4 PLT	B	1/4"/M6	6 AWG/16mm <sup>2</sup>	.278/7.06	1.281/32.54	.438/11.13	.381/9.68 (2)	.232/5.89	.075/1.90	
	1922 I0407	BCL-65 I6-WP	---	---	1922 I0228	BCL-65 I6-WP-PL	190820009	BCL-65 I6-PLT	B	5/16"/M8	6 AWG/16mm <sup>2</sup>	.340/8.63	1.406/35.72	.594/15.09	.427/10.85 (2)	.232/5.89	.080/2.03
	1922 I0493	BCL-65 I6	190820010	BCL-65 I6T	1922 I0492	BCL-65 I6-PL	<del>192210499</del> BCL-65 I6 PLT	B	5/16"/M8	6 AWG/16mm <sup>2</sup>	.340/8.63	1.281/32.54	.438/11.13	.381/9.68 (2)	.232/5.89	.075/1.90	
H	1922 I0384	BCL-638-WP	<del>190820008</del> BCL-638T	1922 I0229	BCL-638-WP-PL	190820007	BCL-638-PLT	B	3/8"/M9	6 AWG/16mm <sup>2</sup>	.400/10.16	1.406/35.72	.594/15.09	.427/10.85 (2)	.232/5.89	.080/2.03	
	1922 I0569	BCL-638-XWP	---	---	1922 I0568	BCL-638-XWP-PL	---	---	---	3/8"/M9	6 AWG/16mm <sup>2</sup>	.400/10.16	1.563/39.70	.766/19.46	.472/11.99 (2)	.232/5.89	.080/2.03
	1922 I0417	BCL-6 I2-XWP	---	---	1922 I0416	BCL-6 I2-XWP-PL	190820004	BCL-6 I2-PLT	B	1/2"/M12	6 AWG/16mm <sup>2</sup>	.520/13.21	1.563/39.70	.766/19.46	.472/11.99 (2)	.232/5.89	.080/2.03



SALES DRAWING

- NOTES:
- FOR INSPECTION SIGHT HOLE, PLEASE CONSULT FACTORY.
  - OTHER STUD SIZES MAY BE AVAILABLE, PLEASE CONSULT FACTORY.
  - MATERIAL: COPPER  
PLATING: TIN
  - MARKINGS CAN BE AT EITHER LOCATION SHOWN.
  - IF TONGUE IS TO BE BENT AT ANY ANGLE, IT MUST BE BENT AROUND A RADIUS ONE HALF THE TONGUE THICKNESS.
  - ALL PARTS ARE ROHS COMPLIANT.

CORRECTED 'C' DIMS EC NO: IFG2014-0913 DRAWING: JASO1 2013/11/18 CHKD: JACNEIL 2013/11/18 APPR: JACNEIL 2013/12/01	QUALITY SYMBOLS ▽=0 ▽=0	GENERAL TOLERANCES (UNLESS SPECIFIED)		DIMENSION STYLE IN/MM		SCALE ---	DESIGN UNITS INCH	THIRD ANGLE PROJECTION	
		4 PLACES ± ---	± ---	DRAWN BY DMYRICK	DATE 2005/5/3	TITLE EYELET STYLE COPPER TERMINALS 8 AND 6 AWG LUGS			
L2	REV	3 PLACES ± ---	± ---	CHECKED BY RDEROSS	DATE 2005/5/3	MOLEX INCORPORATED			
		2 PLACES ± ---	± ---	APPROVED BY RDEROSS	DATE 2005/5/3	DOCUMENT NO. SD-19221-001		SHEET NO. 1 OF 1	
DRAFT WHERE APPLICABLE MUST REMAIN WITHIN DIMENSIONS		ANGULAR ± ---°		MATERIAL NO. SEE CHART		THIS DRAWING CONTAINS INFORMATION THAT IS PROPRIETARY TO MOLEX INCORPORATED AND SHOULD NOT BE USED WITHOUT WRITTEN PERMISSION			

# Mouser Electronics

Authorized Distributor

Click to View Pricing, Inventory, Delivery & Lifecycle Information:

[Molex:](#)

[19082-0011](#) [19082-0005](#)