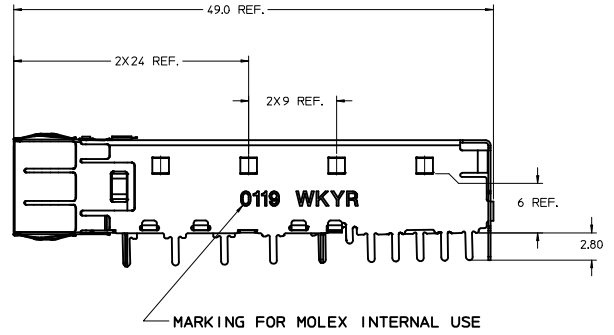
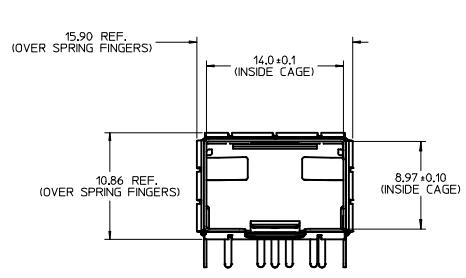
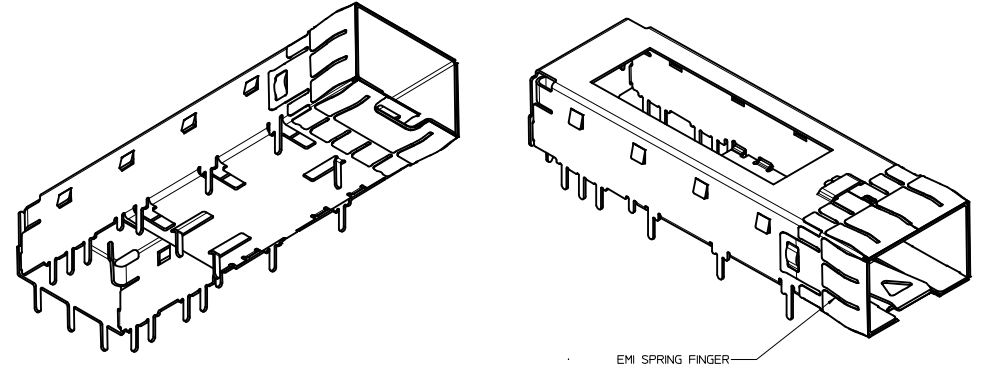
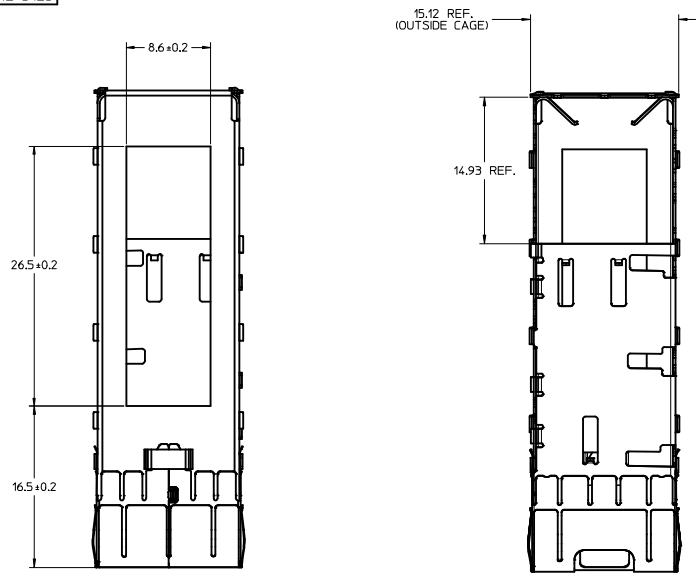


MM 3D MODEL: TM-111112-3123

HEAT SINK AND CLIP NOT SHOWN FOR CLARITY



MARKING FOR MOLEX INTERNAL USE

NOTES:

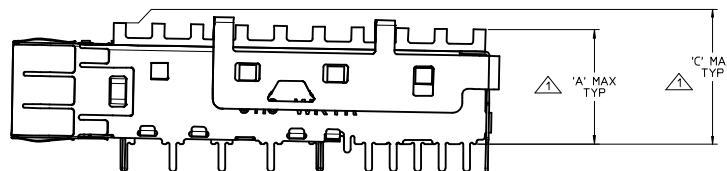
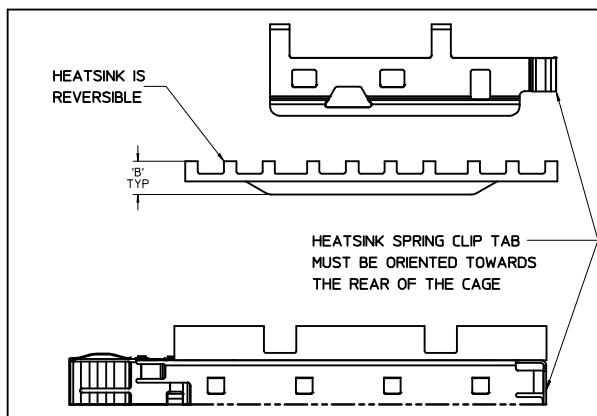
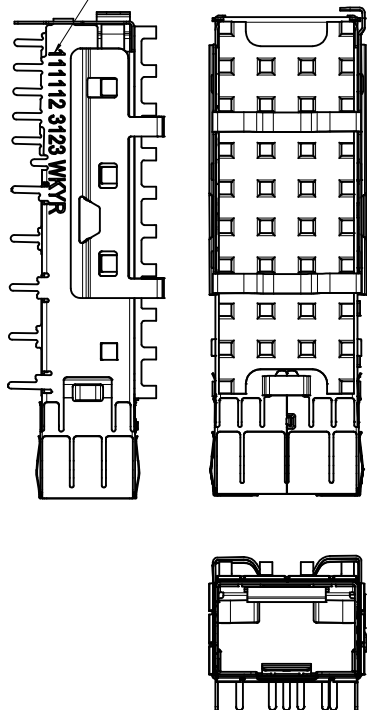
1. MATERIAL:
CAGE: 0.25 mm THICK COPPER ALLOY, NICKEL PLATED.
SPRING FINGERS: 0.1mm THICK COPPER ALLOY, NICKEL PLATED.
HEATSINK: ALUMINIUM, NICKEL PLATED.
HEATSINK SPRING CLIP: STAINLESS STEEL.
2. PRESS FIT LEGS 2.8mm LONG:
1.57mm MINIMUM PCB THICKNESS FOR SINGLE SIDED USE.
3. OPTIONAL LIGHT PIPE ASSEMBLY AVAILABLE.
4. PORTS ARE DESIGNED FOR SFP+ TRANSCEIVERS AND ARE COMPATIBLE WITH SFP TRANSCEIVERS. THE TOP SURFACE OF THE MODULE MUST BE FLAT (NO PRODUCT LABEL RECESS) AND THERMALLY CONDUCTIVE TO FUNCTION OPTIMALLY.
5. NO RoHS EXEMPTIONS.
6. CUSTOM HEATSINKS AVAILABLE UPON REQUEST.
7. CAGE ASSEMBLY, HEATSINK, AND HEATSINK SPRING CLIP SHIPPED ASSEMBLED.
8. THE MOLEX CAGE REQUIRES USING THE MOLEX HEATSINK SPRING CLIP.

SEE REVISION TABLE IEC NO: CPG2016-1931 DRAWN BY: PGSHETTY CHECKED BY: CHYKEMANG07 APPROVED BY: RCHEN08 DATE: 2015/08/07 DATE: 2015/11/05 DATE: 2015/11/09	QUALITY SYMBOLS ∇=0 ∇=0 ∇=0	GENERAL TOLERANCES (UNLESS SPECIFIED)		DIMENSION STYLE MM ONLY	SCALE 4:1	DESIGN UNITS METRIC	<input checked="" type="checkbox"/> THIRD ANGLE PROJECTION
		4 PLACES ± --- mm INCH 3 PLACES ± --- ± --- 2 PLACES ± 0.15 ± --- 1 PLACE ± 0.25 ± --- 0 PLACE ± --- ± ---	DRAWN BY: PGSHETTY CHECKED BY: EWANG07 APPROVED BY: RCHEN08 DATE: 2015/08/07 DATE: 2015/11/05 DATE: 2015/11/09	TITLE SFP+ 1X1 CAGE ASSEMBLY WITH SPRING FINGERS AND SOLDER POST LEGS			
		ANGULAR ± 1 ° DRAFT WHERE APPLICABLE MUST REMAIN WITHIN DIMENSIONS		MATERIAL NO. 111123123	DOCUMENT NO. SD-111112-3123		SHEET NO. 1 OF 5
		THIS DRAWING CONTAINS INFORMATION THAT IS PROPRIETARY TO MOLEX INCORPORATED AND SHOULD NOT BE USED WITHOUT WRITTEN PERMISSION					

P/N AND WEEK/YEAR DATE CODE TO BE PRINTED ON THE SIDE OF COMPLETED CAGE ASSEMBLY AS SHOWN.

SEE TABLE BELOW FOR DATE CODE INFORMATION.

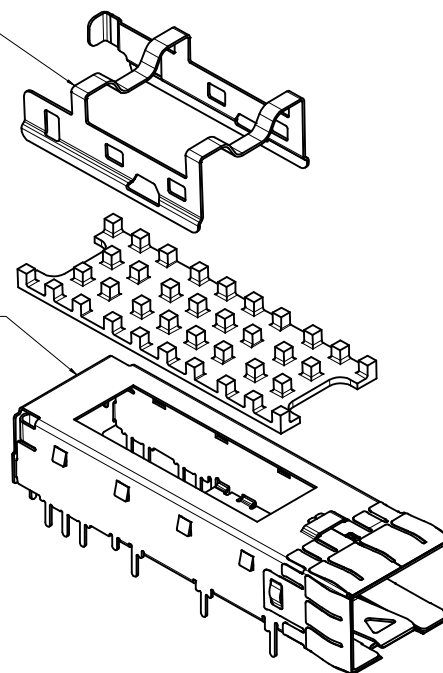
WEEK/YEAR DATE CODE TABLE	
WK	WEEK OF THE YEAR 01 THRU 52 (EXAMPLE: 01= FIRST WEEK OF YEAR 52= LAST WEEK OF YEAR)
YR	15, 16, 17 ETC.. (EXAMPLE: YEAR 2015= 15)



EXPLODED VIEW

HEATSINK SPRING CLIP
FG NUMBER
11112-1009
(REFERENCE)

SFP+ CAGE ASSEMBLY
WITH FRONT SPRING FINGERS



KIT MAT'L NUMBER	APPLICATION	CAGE ASSY	ASSEMBLED DIM 'A'	HEATSINK DIM 'B' (REF)	ASSEMBLED DIM 'C'	HEATSINK SPRING CLIP	FG HEATSINK MAT'L P/N	POLYIMIDE GASKET ATTACHED
11112-3123	PCI	111120119	12.8	3.6	13.5	111121009	111122043	NO

HEIGHT OF HEATSINK WITH MODULE INSERTED.
DIMENSION MAY BE LESS DUE TO MODULE AND HEATSINK VARIATIONS.

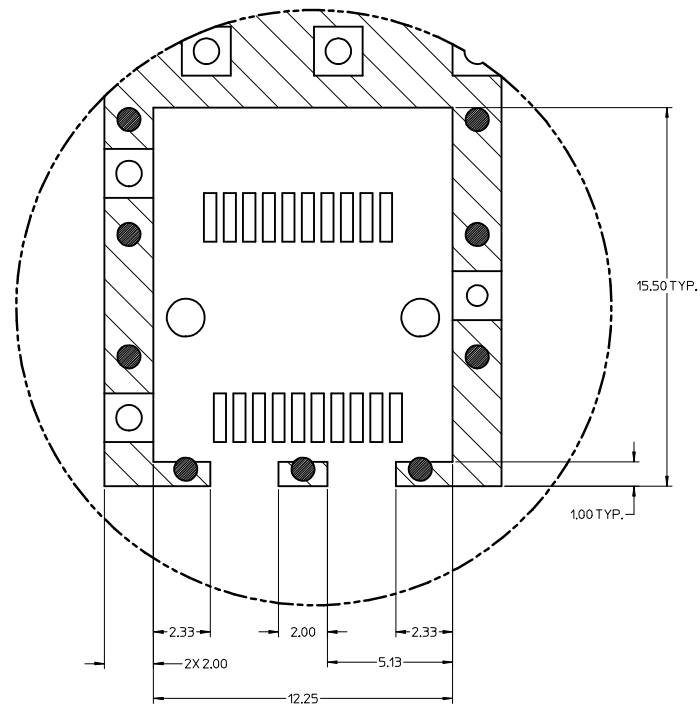
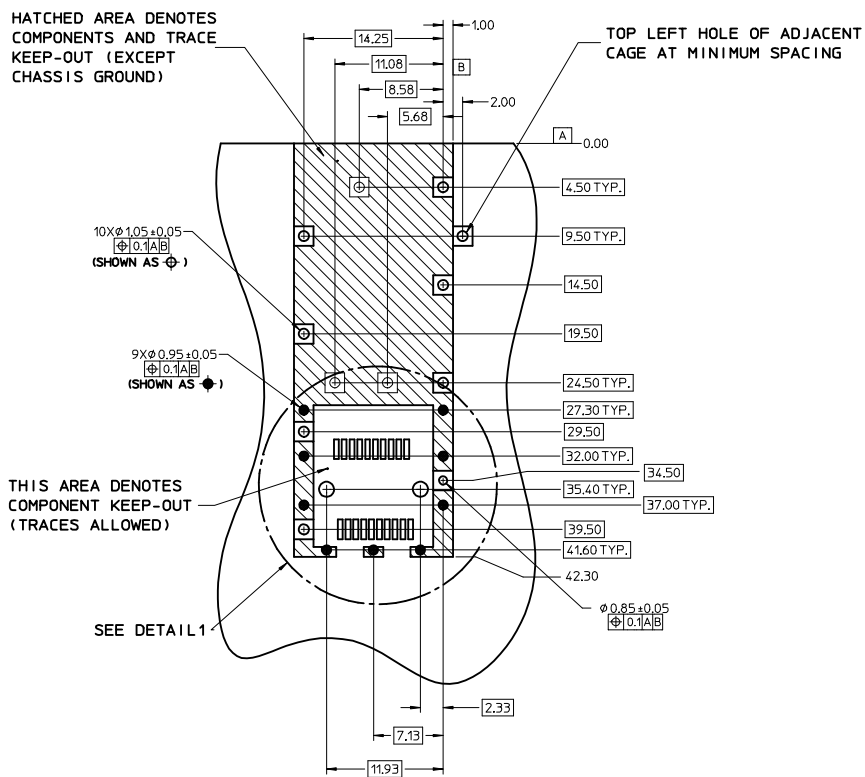
ENTER DESCRIPTION EC NO: CPG2016-1931 DRAWN BY: PGSHETTY CHECKED BY: CHYKEMANG07 APPROVED BY: RCHEN08	QUALITY SYMBOLS ▽=0 ▽=0 ▽=0	GENERAL TOLERANCES (UNLESS SPECIFIED)		DIMENSION STYLE MM ONLY		SCALE 1:1	DESIGN UNITS METRIC	THIRD ANGLE PROJECTION
		mm	INCH	DATE	DATE	DATE	DATE	
DESCRIPTION	4 PLACES	±	---	---	---	DATE	PGSHETTY	2015/08/07
	3 PLACES	±	---	---	---	DATE	CHYKEMANG07	2015/11/05
	2 PLACES	±	0.15	---	---	DATE	RCHEN08	2015/11/09
	1 PLACE	±	0.25	---	---	DATE		
	0 PLACE	±	---	---	---	DATE		
	ANGULAR ± 1 °							
DRAFT WHERE APPLICABLE MUST REMAIN WITHIN DIMENSIONS		SIZE D		MATERIAL NO. 4111123123		DOCUMENT NO. SD-111112-3123		SHEET NO. 2 OF 5

TITLE
SFP+ 1X1 CAGE ASSEMBLY WITH SPRING FINGERS AND SOLDER POST LEGS

molex

THIS DRAWING CONTAINS INFORMATION THAT IS PROPRIETARY TO MOLEX INCORPORATED AND SHOULD NOT BE USED WITHOUT WRITTEN PERMISSION

PCB LAYOUT FOR SINGLE SIDE MOUNT

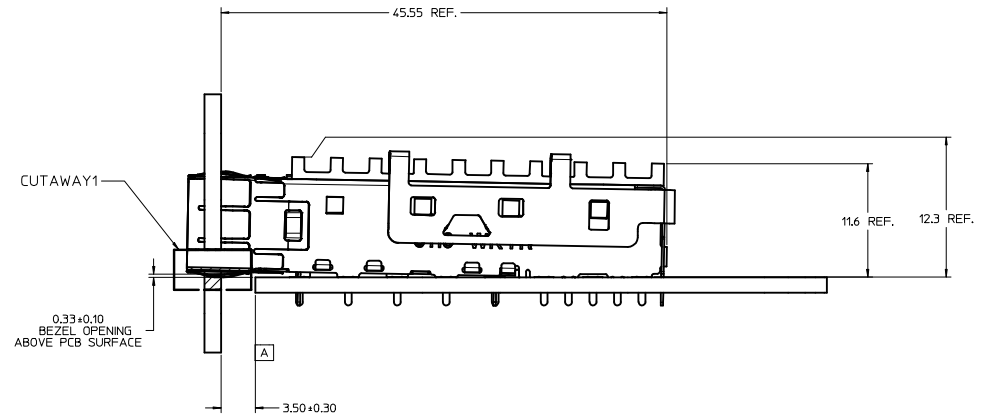
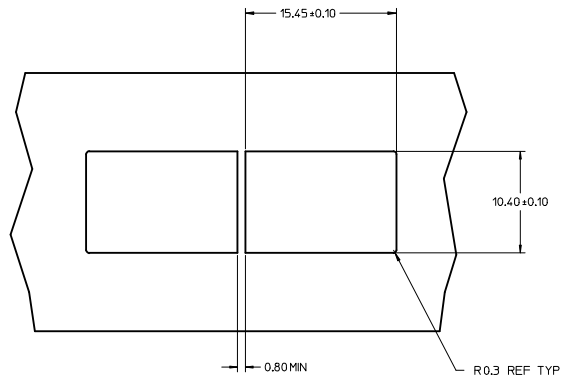


DETAIL 1
SCALE 10:1
HOST CONNECTOR DETAIL

- NOTES:**
1. PADS AND VIAS CONNECT TO CHASSIS GROUND (RECOMMEND PADS TO BE 2.00mm SQUARE)
 2. RECOMMENDED THRU HOLE PLATING INCLUDES HASL, OSP, OR IMMERSION (GOLD, SILVER, OR TIN).
 3. CONNECTOR PAD LAYOUT PER SFP+ MSA WILL ACCOMMODATE MOLEX CONNECTOR SERIES 74441 OR EQUIVALENT.
 4. 1.57mm MINIMUM PCB THICKNESS

SEE REVISION TABLE IEC NO: CPG2016-1931 DRAWN: PGSHETTY 2015/08/07 CHECKED: CHYKEMANG07 2015/11/05 APPROVED: RCHEN08 2015/11/09	QUALITY SYMBOLS	GENERAL TOLERANCES (UNLESS SPECIFIED)	DIMENSION STYLE	SCALE	DESIGN UNITS	THIRD ANGLE PROJECTION
	▽=0	mm INCH	MM ONLY	4:1	METRIC	
	▽=0	4 PLACES ± ---	DRAWN BY DATE	TITLE SFP+ 1X1 CAGE ASSEMBLY WITH SPRING FINGERS AND SOLDER POST LEGS		
	▽=0	3 PLACES ± ---	PGSHETTY 2015/08/07			
	2 PLACES ± 0.15	CHECKED BY DATE	MATERIAL NO. DOCUMENT NO. SHEET NO. 411123123 SD-11112-3123 3 OF 5			
	1 PLACE ± 0.25	EWANG07 2015/11/05				
	0 PLACE ± ---	APPROVED BY DATE	SIZE D THIS DRAWING CONTAINS INFORMATION THAT IS PROPRIETARY TO MOLEX INCORPORATED AND SHOULD NOT BE USED WITHOUT WRITTEN PERMISSION			
	ANGULAR ± 1 °	RCHEN08 2015/11/09				
DRAFT WHERE APPLICABLE MUST REMAIN WITHIN DIMENSIONS						

BEZEL AND BOARD POSITION DIMENSIONS FOR SINGLE SIDE MOUNTING
(SPRING FINGER)



SEE REVISION TABLE IEC NO: CPG2016-1931 DRAWN BY: PGSHETTY 2015/08/07 CHECKED BY: CHYKEMANG07 2015/11/05 APPROVED BY: RCHEN08 2015/11/09	QUALITY SYMBOLS	GENERAL TOLERANCES (UNLESS SPECIFIED)	DIMENSION STYLE	SCALE	DESIGN UNITS	THIRD ANGLE PROJECTION
	▽=0	mm INCH	MM ONLY	4:1	METRIC	
	▽=0	4 PLACES ± --- ± ---	DRAWN BY DATE			TITLE
	▽=0	3 PLACES ± --- ± ---	PGSHETTY 2015/08/07			SFP+ 1X1 CAGE ASSEMBLY WITH SPRING FINGERS AND SOLDER POST LEGS
	2 PLACES ± 0.15 ± ---	CHECKED BY DATE				
	1 PLACE ± 0.25 ± ---	EWANG07 2015/11/05				
	0 PLACE ± --- ± ---	APPROVED BY DATE				
		RCHEN08 2015/11/09				
		ANGULAR ± 1 °	MATERIAL NO.	DOCUMENT NO.		SHEET NO.
		DRAFT WHERE APPLICABLE MUST REMAIN WITHIN DIMENSIONS	4111123123	SD-111112-3123		4 OF 5
			THIS DRAWING CONTAINS INFORMATION THAT IS PROPRIETARY TO MOLEX INCORPORATED AND SHOULD NOT BE USED WITHOUT WRITTEN PERMISSION			

20 19 18 17 16 15 14 13 12 11 10 9 8 7 6 5 4 3 2 1

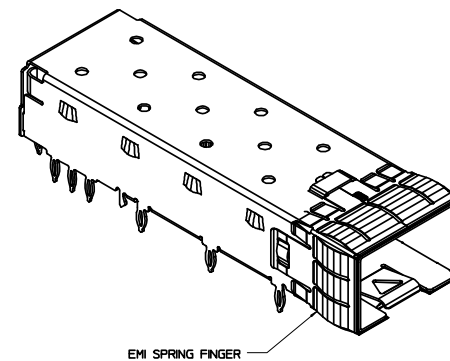
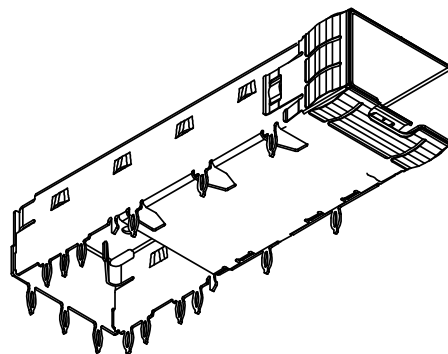
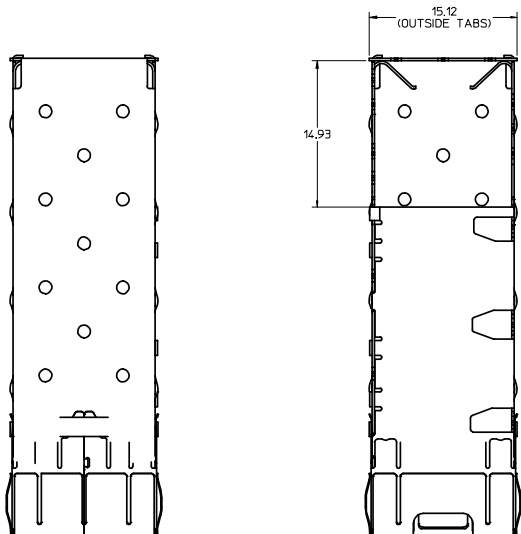
DATE	REVISION	DESCRIPTION
2015/11/05	A	INITIAL RELEASE

SEE REVISION TABLE IEC NO: CPG2016-1931 DRAWN BY: PGSHETTY 2015/08/07 CHECKED BY: CHYKHWANG07 2015/11/05 APPROVED BY: RCHEN08 2015/11/09	QUALITY SYMBOLS ▽=0 ▽=0 ▽=0	GENERAL TOLERANCES (UNLESS SPECIFIED)		DIMENSION STYLE MM ONLY	SCALE 1:1	DESIGN UNITS METRIC	THIRD ANGLE PROJECTION
		4 PLACES ± mm INCH 3 PLACES ± --- ± --- 2 PLACES ± 0.15 ± --- 1 PLACE ± 0.25 ± --- 0 PLACE ± --- ± ---	DRAWN BY DATE PGSHETTY 2015/08/07	TITLE SFP+ 1X1 CAGE ASSEMBLY WITH SPRING FINGERS AND SOLDER POST LEGS			
		ANGULAR ± 1 ° DRAFT WHERE APPLICABLE MUST REMAIN WITHIN DIMENSIONS	CHECKED BY DATE EWANG07 2015/11/05	APPROVED BY DATE RCHEN08 2015/11/09			
		MATERIAL NO. 111123123	DOCUMENT NO. SD-111112-3123	SHEET NO. 5 OF 5			

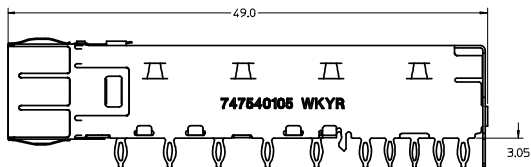
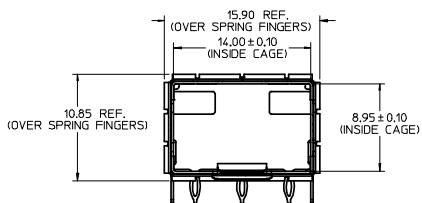


THIS DRAWING CONTAINS INFORMATION THAT IS PROPRIETARY TO MOLEX INCORPORATED AND SHOULD NOT BE USED WITHOUT WRITTEN PERMISSION

19 18 17 16 15 14 13 12 11 10 9 8 7 6 5 4 3 2 1



EMI SPRING FINGER

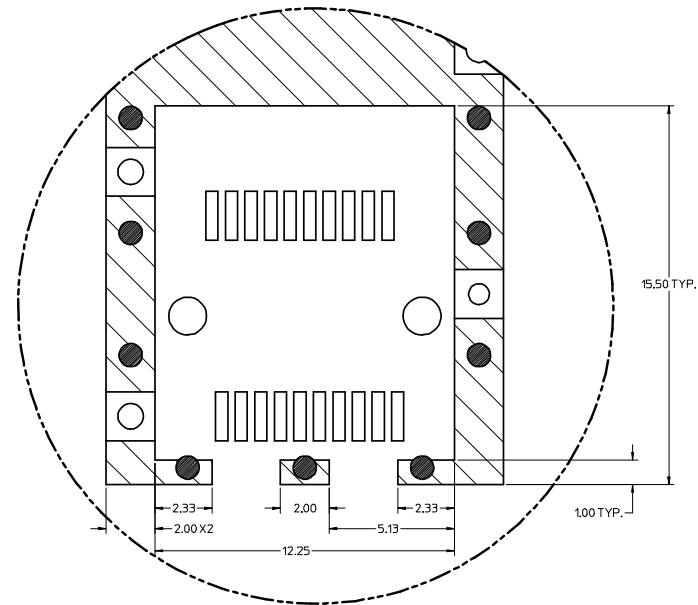
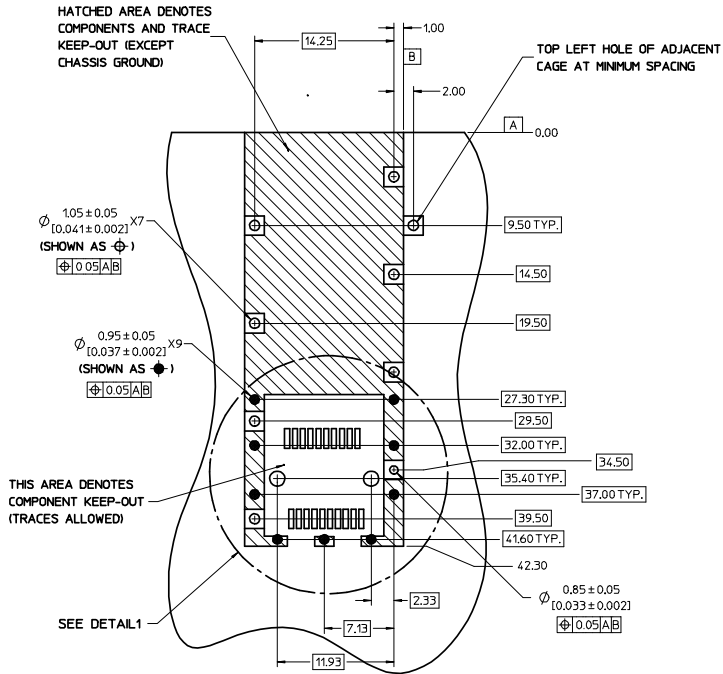


NOTES:

1. MATERIAL:
CAGE: NICKEL PLATED COPPER ALLOY, THICKNESS 0.25mm
SPRING FINGER: NICKEL PLATED COPPER ALLOY, THICKNESS 0.10mm
2. PRESS FIT LEGS 3.05 LONG -
1.57 MINIMUM PCB THICKNESS FOR SINGLE SIDED USE
3. OPTIONAL LIGHT PIPE ASSEMBLY AVAILABLE
4. PORTS ARE DESIGNED FOR SFP+ TRANSCEIVERS AND ARE BACKWARDS COMPATIBLE WITH SFP TRANSCEIVERS
5. THIS PART MEETS THE RESTRICTION OF HAZARDOUS SUBSTANCES IN ELECTRICAL AND ELECTRONIC EQUIPMENT (ROHS) DIRECTIVE (2002/95/EC)

INITIAL RELEASE EC NO. USY2008-0359 DRAWN: JRESENDE 2008/03/14 CHKD: JRESENDEZ 2008/03/14 APPR: JRESENDE 2008/03/16	QUALITY SYMBOLS ▽=0 ▽=0	GENERAL TOLERANCES (UNLESS SPECIFIED)		DIMENSION STYLE MM ONLY	SCALE 4:1	DESIGN UNITS METRIC	THIRD ANGLE PROJECTION
		4 PLACES ± --- ± --- 3 PLACES ± --- ± --- 2 PLACES ± 0.15 ± --- 1 PLACE ± 0.25 ± --- ANGULAR ± 1°	mm INCH	DRAWN BY JRESENDE	DATE 2008/03/14	TITLE SFP+ 1X1 CAGE ASSEMBLY PRESS FIT WITH EMI SPRING FINGERS	
DRAFT WHERE APPLICABLE MUST REMAIN WITHIN DIMENSIONS	MATERIAL NO. 747540105		DATE 2008/03/14		MOLEX INCORPORATED		
SHEET NO. 1 OF 3		DOCUMENT NO. SD-74754-0105					

PCB LAYOUT FOR SINGLE SIDE MOUNT



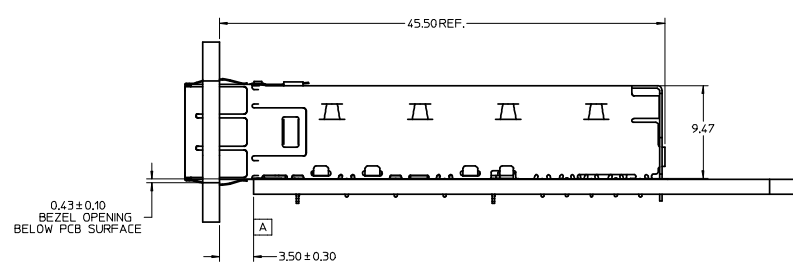
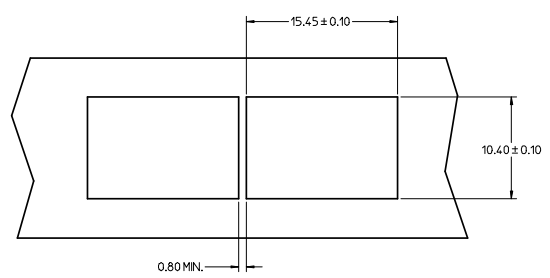
DETAIL1
SCALE 10:1
HOST CONNECTOR DETAIL

NOTES:

1. PADS AND VIAS CONNECT TO CHASSIS GROUND (RECOMMEND PADS TO BE 2.00mm SQUARE)
2. RECOMMENDED THRU HOLE PLATING INCLUDES HASL, OSP, OR IMMERSION (GOLD, SILVER, OR TIN).
3. CONNECTOR PAD LAYOUT PER SFP+ MSA WILL ACCOMMODATE MOLEX CONNECTOR SERIES 74441 OR EQUIVALENT.

INITIAL RELEASE EC NO: USY2008-0359 DRAWN: RESENDE 2008/03/24 CHKD: RESENDEZ 2008/03/24 APPR: RESENDE 2008/03/26	QUALITY SYMBOLS ▽=0 ▽=0	GENERAL TOLERANCES (UNLESS SPECIFIED): mm INCH		DIMENSION STYLE MM ONLY	SCALE 4:1	DESIGN UNITS METRIC	THIRD ANGLE PROJECTION
		4 PLACES ± --- ± --- 3 PLACES ± --- ± --- 2 PLACES ± 0.15 ± --- 1 PLACE ± 0.25 ± --- ANGULAR ± 1 °	DRAWN BY JRESENDE	DATE 2008/03/14	TITLE SFP+ 1X1 CAGE ASSEMBLY PRESS FIT WITH EMI SPRING FINGERS	MOLEX INCORPORATED	
DRAFT WHERE APPLICABLE MUST REMAIN WITHIN DIMENSIONS	MATERIAL NO. 747540105	DATE 2008/03/14	DOCUMENT NO. SD-74754-0105	SHEET NO. 2 OF 3			
THIS DRAWING CONTAINS INFORMATION THAT IS PROPRIETARY TO MOLEX INCORPORATED AND SHOULD NOT BE USED WITHOUT WRITTEN PERMISSION							

BEZEL AND BOARD POSITION DIMENSIONS FOR SINGLE SIDE MOUNTING
(SPRING FINGER)



INITIAL RELEASE EC NO: USY2008-0359 DRWN: JRESENDE 2008/03/24 CHKD: JRESENDEZ 2008/03/24 APPR: JRESENDE 2008/03/26	QUALITY SYMBOLS ▽=0 ▽=0	GENERAL TOLERANCES (UNLESS SPECIFIED) <table border="1"> <thead> <tr> <th></th> <th>mm</th> <th>INCH</th> </tr> </thead> <tbody> <tr> <td>4 PLACES</td> <td>± 0.15</td> <td>± 0.006</td> </tr> <tr> <td>3 PLACES</td> <td>± 0.25</td> <td>± 0.010</td> </tr> <tr> <td>2 PLACES</td> <td>± 0.38</td> <td>± 0.015</td> </tr> <tr> <td>1 PLACE</td> <td>± 0.51</td> <td>± 0.020</td> </tr> </tbody> </table> ANGULAR ± 1°		mm	INCH	4 PLACES	± 0.15	± 0.006	3 PLACES	± 0.25	± 0.010	2 PLACES	± 0.38	± 0.015	1 PLACE	± 0.51	± 0.020	DIMENSION STYLE MM ONLY	SCALE 4:1	DESIGN UNITS METRIC	THIRD ANGLE PROJECTION
		mm	INCH																		
	4 PLACES	± 0.15	± 0.006																		
	3 PLACES	± 0.25	± 0.010																		
2 PLACES	± 0.38	± 0.015																			
1 PLACE	± 0.51	± 0.020																			
DRAWN BY JRESENDE	DATE 2008/03/14	TITLE SFP+ 1X1 CAGE ASSEMBLY PRESS FIT WITH EMI SPRING FINGERS		MOLEX INCORPORATED		SHEET NO. 3 OF 3															
CHECKED BY JRESENDE	DATE 2008/03/14	DRAFT WHERE APPLICABLE MUST REMAIN WITHIN DIMENSIONS		MATERIAL NO. 747540105	DOCUMENT NO. SD-74754-0105																
APPROVED BY JRESENDE	DATE 2008/03/14	THIS DRAWING CONTAINS INFORMATION THAT IS PROPRIETARY TO MOLEX INCORPORATED AND SHOULD NOT BE USED WITHOUT WRITTEN PERMISSION																			