

4

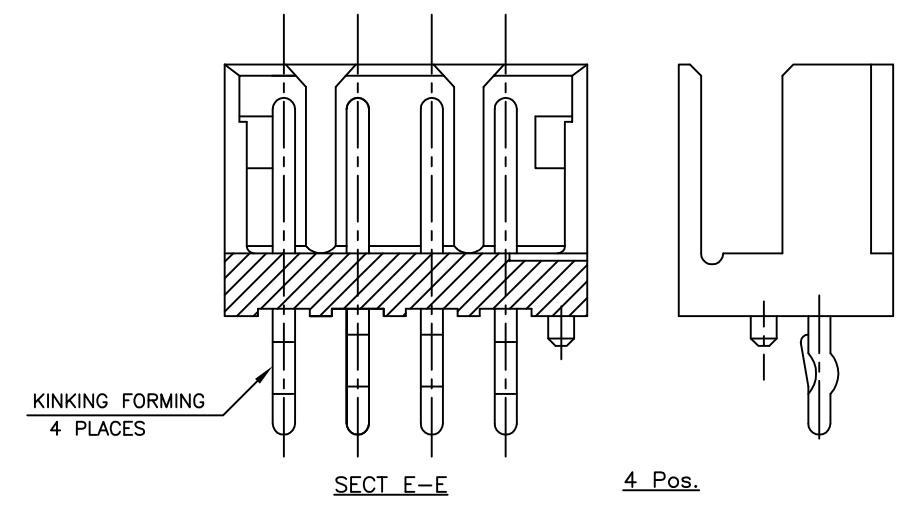
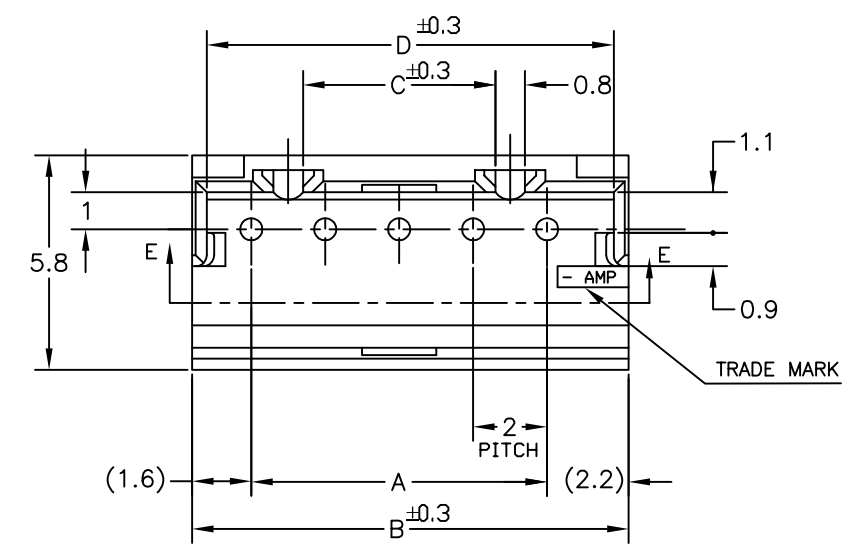
3

2

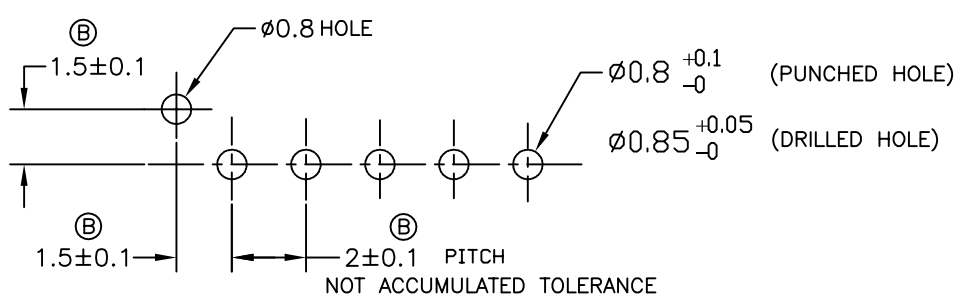
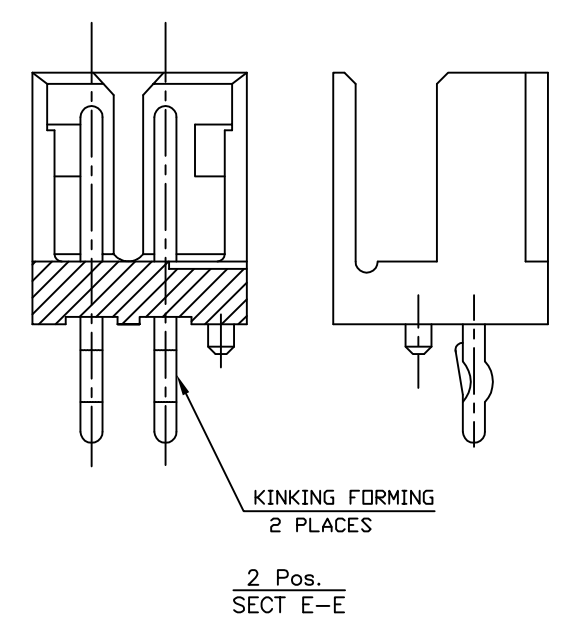
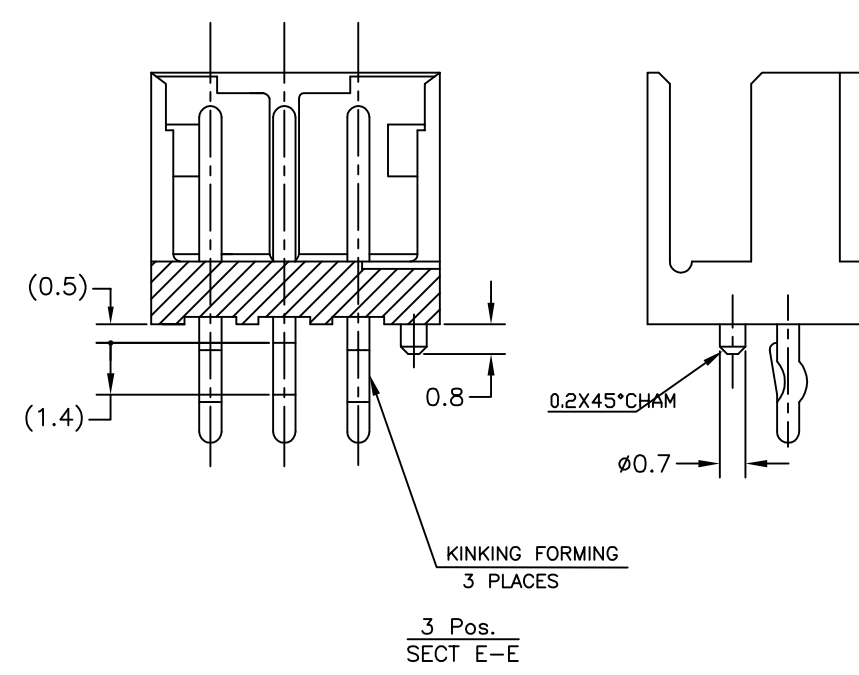
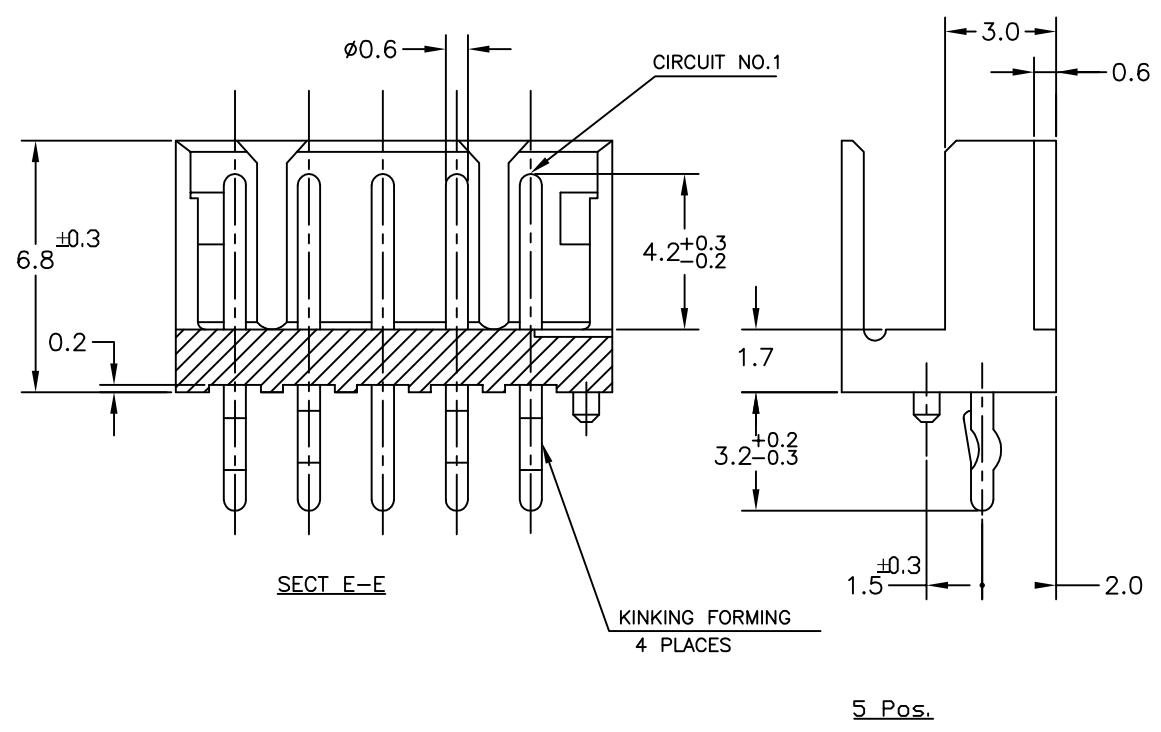
1

THIS DRAWING IS UNPUBLISHED. RELEASED FOR PUBLICATION
 © COPYRIGHT - By - ALL RIGHTS RESERVED.


LOC	DIST	REVISIONS					
ES	00	P	LTR	DESCRIPTION	DATE	DWN	APVD
		B2		ECR-14-006619	12MAY2014	T.Q	W.H



NOTES:
 1. MATERIAL: HOUSING - NYLON 66 (UL94V-0)
 POST - TIN BRASS

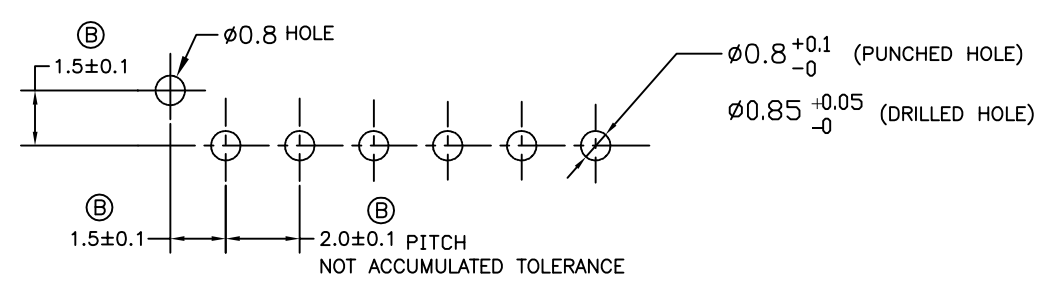
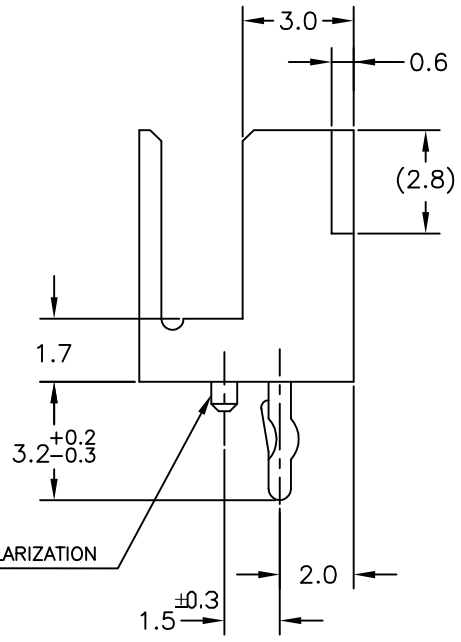
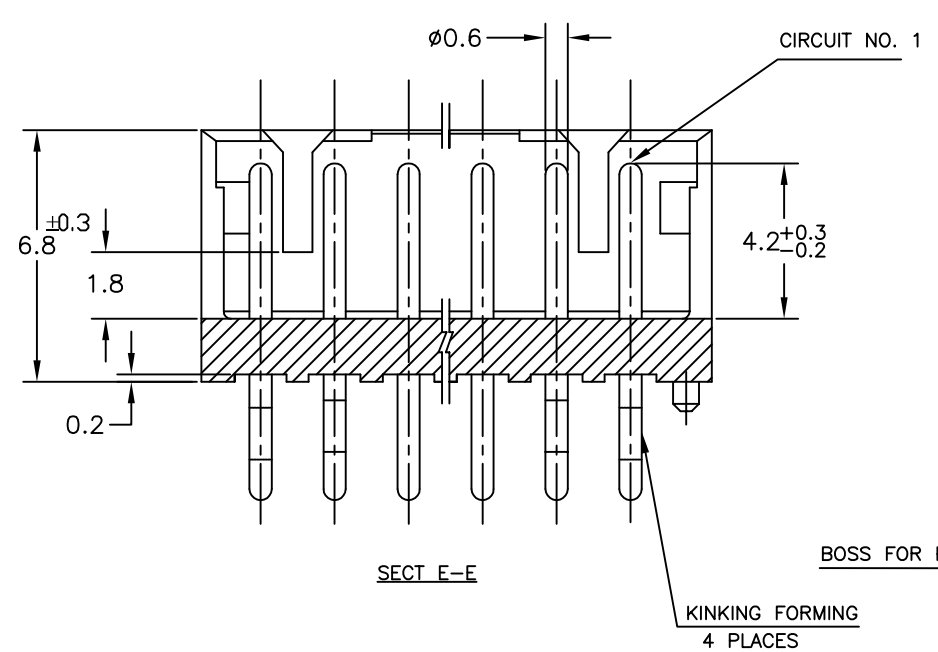
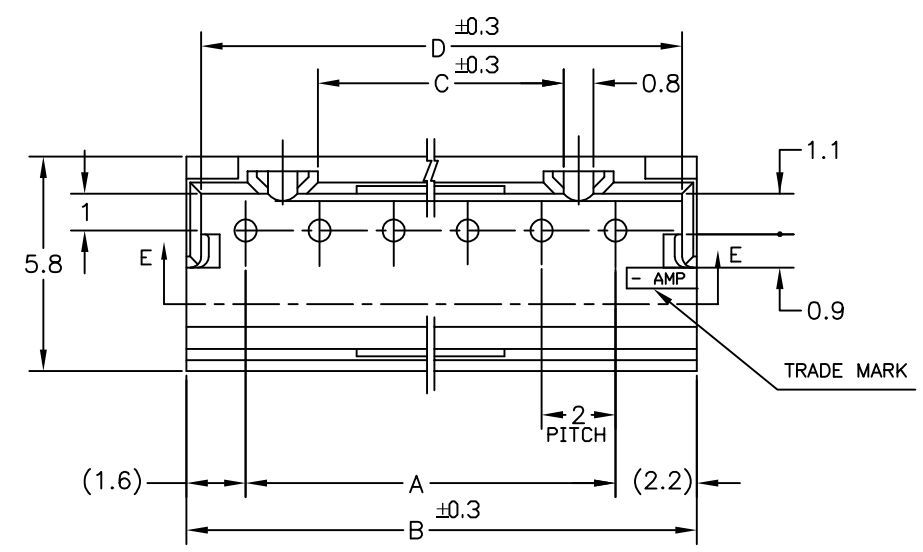


RECOMMENDABLE PCB LAYOUT
 (PCB THK: 0.8-1.6)

THIS DRAWING IS A CONTROLLED DOCUMENT.		DWN	S.XU	06NOV03	 TE Connectivity		
DIMENSIONS: mm		CHK	S.YAO	06NOV03			
TOLERANCES UNLESS OTHERWISE SPECIFIED: ±0.2		APVD	T. SASAKI	06NOV03			
0-PLC ± 1-PLC ± 2-PLC ± 3-PLC ± 4-PLC ± ANGLES ±		PRODUCT SPEC	108-60016				
MATERIAL	SEE NOTE	FINISH	SEE NOTE	APPLICATION SPEC	NAME		
				SIZE	CAGE CODE	DRAWING NO	RESTRICTED TO
				A3 00779 C-292251			
				CUSTOMER DRAWING	SCALE	SHEET	REV
					5:1	1 of 2	B2

THIS DRAWING IS UNPUBLISHED. RELEASED FOR PUBLICATION
 © COPYRIGHT - By - ALL RIGHTS RESERVED.

LOC	DIST	REVISIONS				
P	LTR	DESCRIPTION	DATE	DWN	APVD	
ES	00	SEE SHEET 1	-	-	-	



RECOMMENDABLE PCB LAYOUT
 (PCB THK:0.8-1.6)

NOTES:

- 1. MATERIAL: HOUSING - NYLON 66 (UL94V-0)
 POST - TIN BRASS

	1-292251-5	15	28	31.8	25.2	31.0
	1- -4	14	26	29.8	23.2	29.0
	1- -3	13	24	27.8	21.2	27.0
	1- -2	12	22	25.8	19.2	25.0
	1- -1	11	20	23.8	17.2	23.0
	1- -0	10	18	21.8	15.2	21.0
	-9	9	16	19.8	13.2	19.0
	-8	8	14	17.8	11.2	17.0
	-7	7	12	15.8	9.2	15.0
	-6	6	10	13.8	7.2	13.0
	-5	5	8	11.8	5.2	11.0
2-292251-4	-4	4	6	9.8	3.2	9.0
	-3	3	4	7.8	0	7.0
2-292251-2	292251-2	2	2	5.8	0	5.0
BLUE	NATURAL	Pos.	A	B	C	D
PART NO.						

THIS DRAWING IS A CONTROLLED DOCUMENT.		DWN	TE Connectivity			
DIMENSIONS: mm		CHK	NAME			
TOLERANCES UNLESS OTHERWISE SPECIFIED: ±0.2		APVD	POST HEADER ASS'Y POLARIZE TYPE (BOX-V TYPE) (AMP CT CONNECTOR 2mm PITCH)			
6 PLC ±		PRODUCT SPEC	SIZE	CAGE CODE	DRAWING NO	RESTRICTED TO
1 PLC ±		APPLICATION SPEC	A3	00779	C-292251	
2 PLC ±		WEIGHT	CUSTOMER DRAWING		SCALE	SHEET
3 PLC ±					5:1	2 of 2
4 PLC ±						REV
ANGLES ±						B2
FINISH						

Mouser Electronics

Authorized Distributor

Click to View Pricing, Inventory, Delivery & Lifecycle Information:

[TE Connectivity:](#)

[292251-4](#)