

THIS DRAWING IS UNPUBLISHED. RELEASED FOR PUBLICATION NOV ,2006.
 © COPYRIGHT 2006 By - ALL RIGHTS RESERVED.

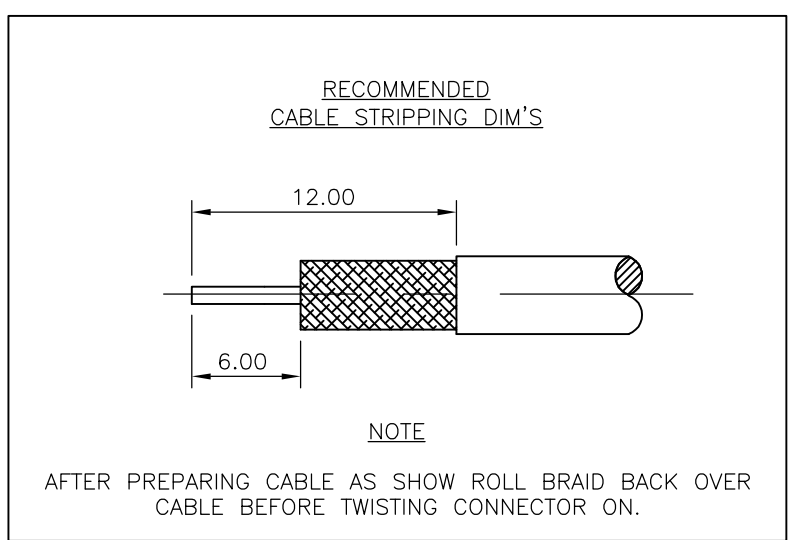
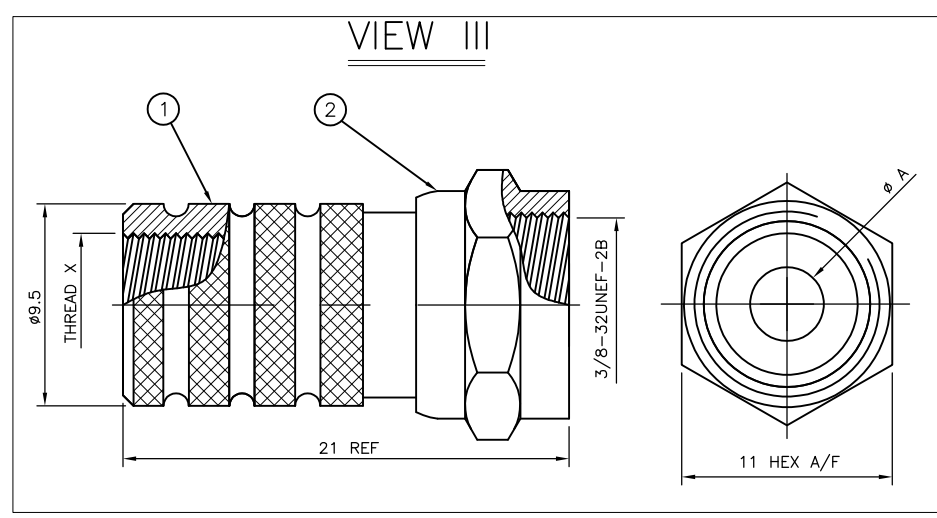
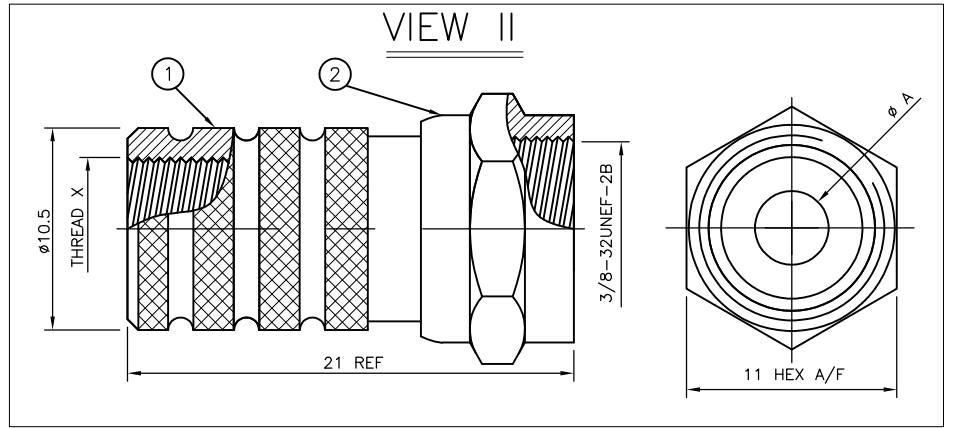
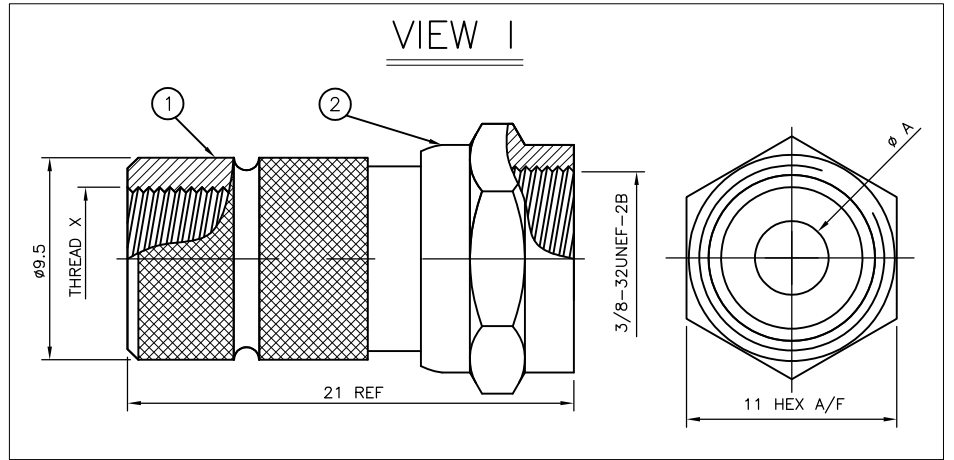
REVISIONS

P	LTR	DESCRIPTION	DATE	DWN	APVD
	C1	REVISED PER ECO-13-001327	31MAY13	RZ	MY

NOTES

- 1 SINGLE PACK IN ACCORDANCE WITH AMP SPEC 107-3275
- 2 100 TRAY PACK IN ACCORDANCE WITH AMP SPEC 107-3275
- 3 Ni PLATING
- 4. FOR TECHNICAL DATA REFER TO YOUR LOCAL TE CONNECTIVITY SALES OFFICE
- 5. ALL DIMENSIONS ARE NOMINAL FOR REFERENCE ONLY UNLESS OTHERWISE STATED

THREAD X	A	CABLE GROUPS	PART NO.
M8	5.60	CT125	5-1814822-7
OBSOLETE	M8	5.60	5-1814822-6
M7	4.90	CT100	5-1814822-5
OBSOLETE	M7	4.90	5-1814822-4
M9	4.90	RG6/U	5-1814822-3
OBSOLETE	M9	4.90	5-1814822-2
OBSOLETE	1/4-20UNC-2B	3.90	RG59B/U, 62A/U, 140/U, 210/U, URM90, Belden 9291, 9291, KX6A, KX25, KX52, KX53
OBSOLETE	1/4-20UNC-2B	3.90	RG59B/U, 62A/U, 140/U, 210/U, URM90, Belden 9291, 9291, KX6A, KX25, KX52, KX53



	VIEW III		VIEW II			VIEW I				
	OBSOLETE	OBSOLETE	OBSOLETE	OBSOLETE	OBSOLETE	OBSOLETE				
1	1	1	1	1	1	1	ZINC ALLOY	△	COUPLING NUT	2
1	1	1	1	1	1	1	BRASS	△	BODY	1
5	75	65	55	45	35	25	15	0	MATERIAL	DESCRIPTION
△	△	△	△	△	△	△	△	△		
QUANTITY PER ASSY								PARTS LIST		

THIS DRAWING IS A CONTROLLED DOCUMENT.

DIMENSIONS: mm	TOLERANCES UNLESS OTHERWISE SPECIFIED: 0 PLC ± - 1 PLC ± 0.3 2 PLC ± 0.2 3 PLC ± 0.1 4 PLC ± - ANGLES ± 5'	DWN ANSON MA 14FEB09 CHK RITA ZUO 14FEB09 APVD BOB ZHAO 14FEB09	TE Connectivity F TYPE STR PLG T/O			
MATERIAL SEE TABLE	FINISH -	PRODUCT SPEC 108-112000	SIZE A3	CAGE CODE 00779	DRAWING NO C-1814822	RESTRICTED TO -
CUSTOMER DRAWING			SCALE NTS	SHEET 1 OF 1	REV C1	

Mouser Electronics

Authorized Distributor

Click to View Pricing, Inventory, Delivery & Lifecycle Information:

[TE Connectivity:](#)

[5-1814822-7](#)