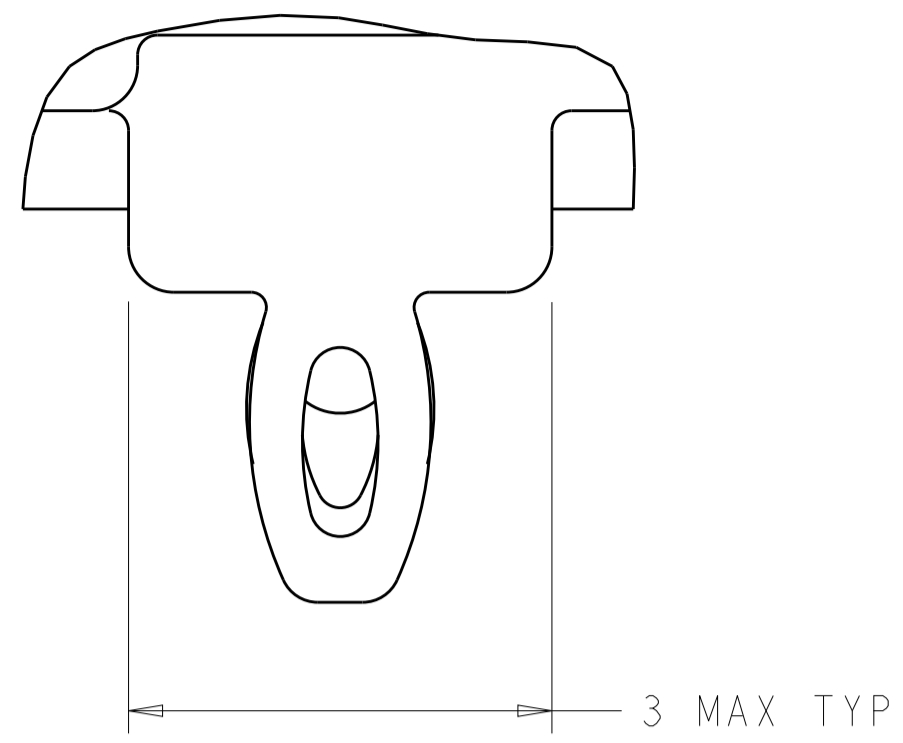


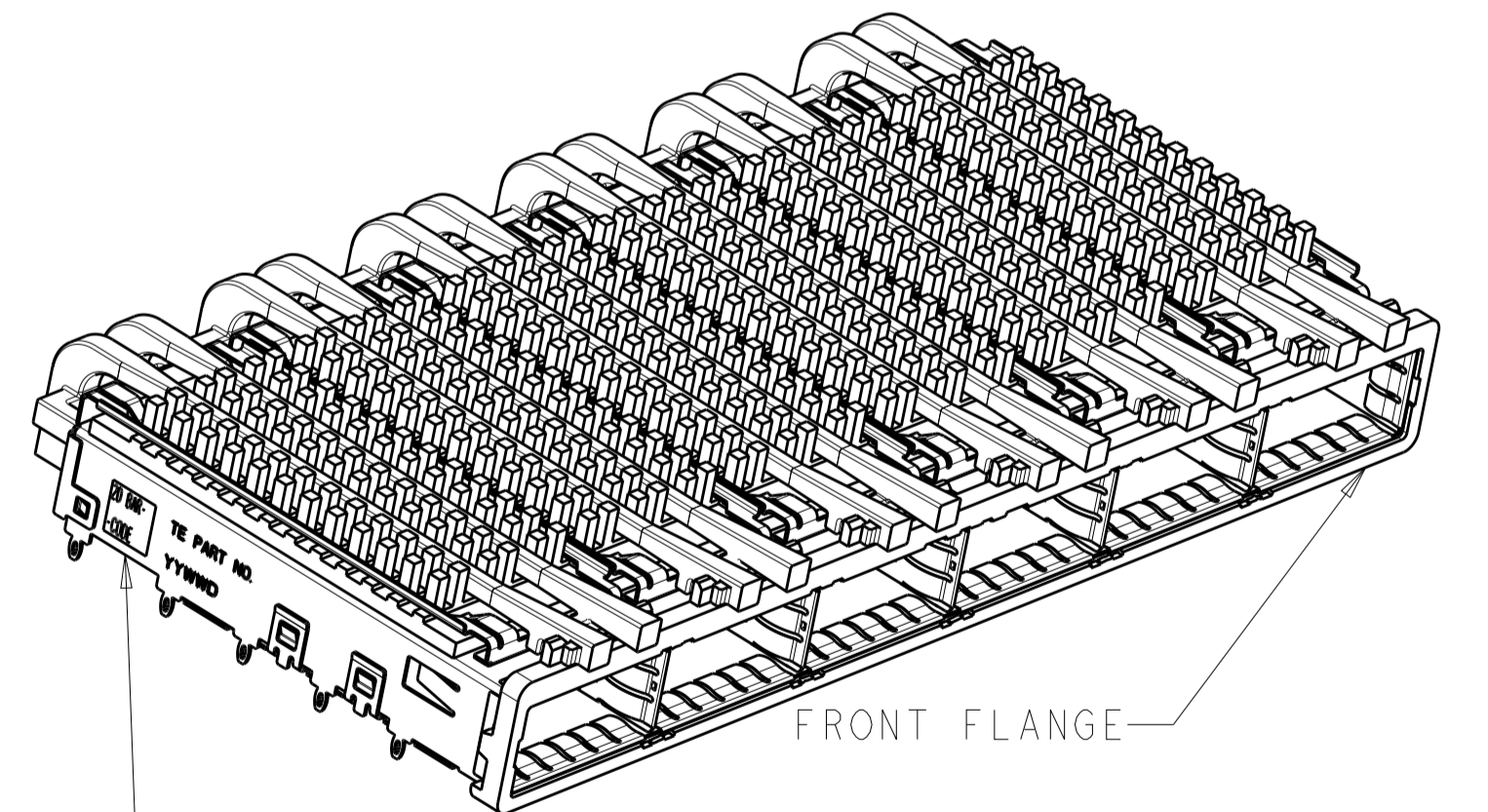
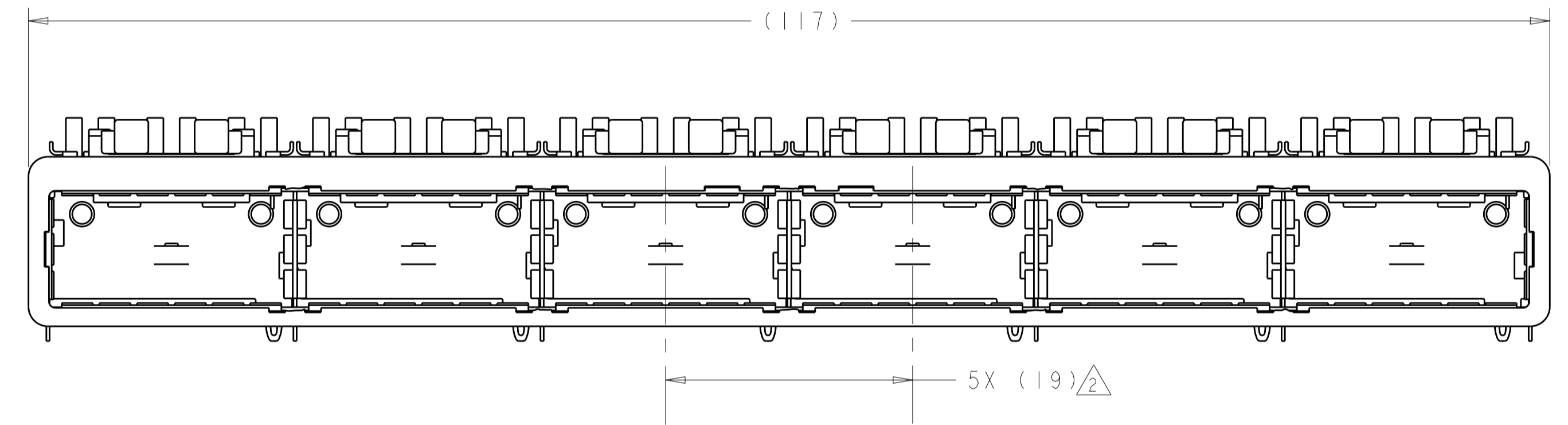
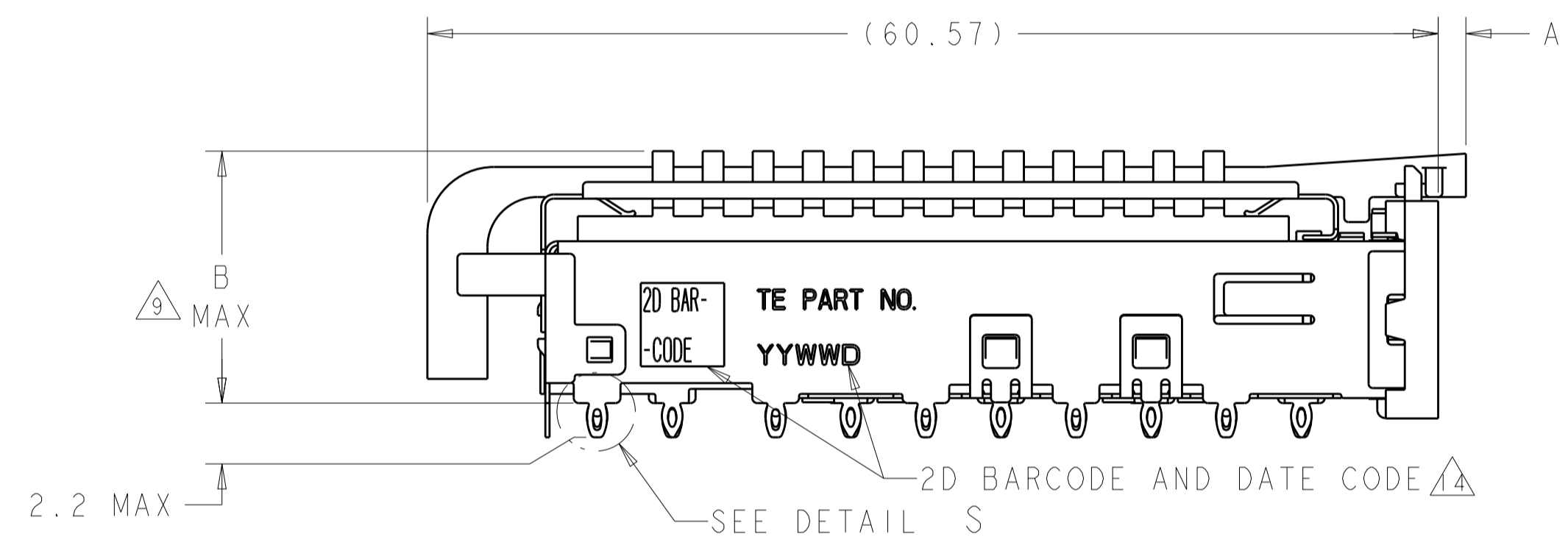
LOC	DIST	REVISIONS					
		P.	LTN	DESCRIPTION	DATE	DWN	APVD
GP	00	6		REVISED PER ECO-12-003841	14MAR2012	TY	KS
		7		REVISED PER ECO-12-005533	05APR2012	JY	AC
		A		REVISED PER ECR-13-019963	5NOV2013	RG	MC
		B		REVISED PER ECO-14-016878	30EC2014	RG	MC



DETAIL S
 SCALE 20:1

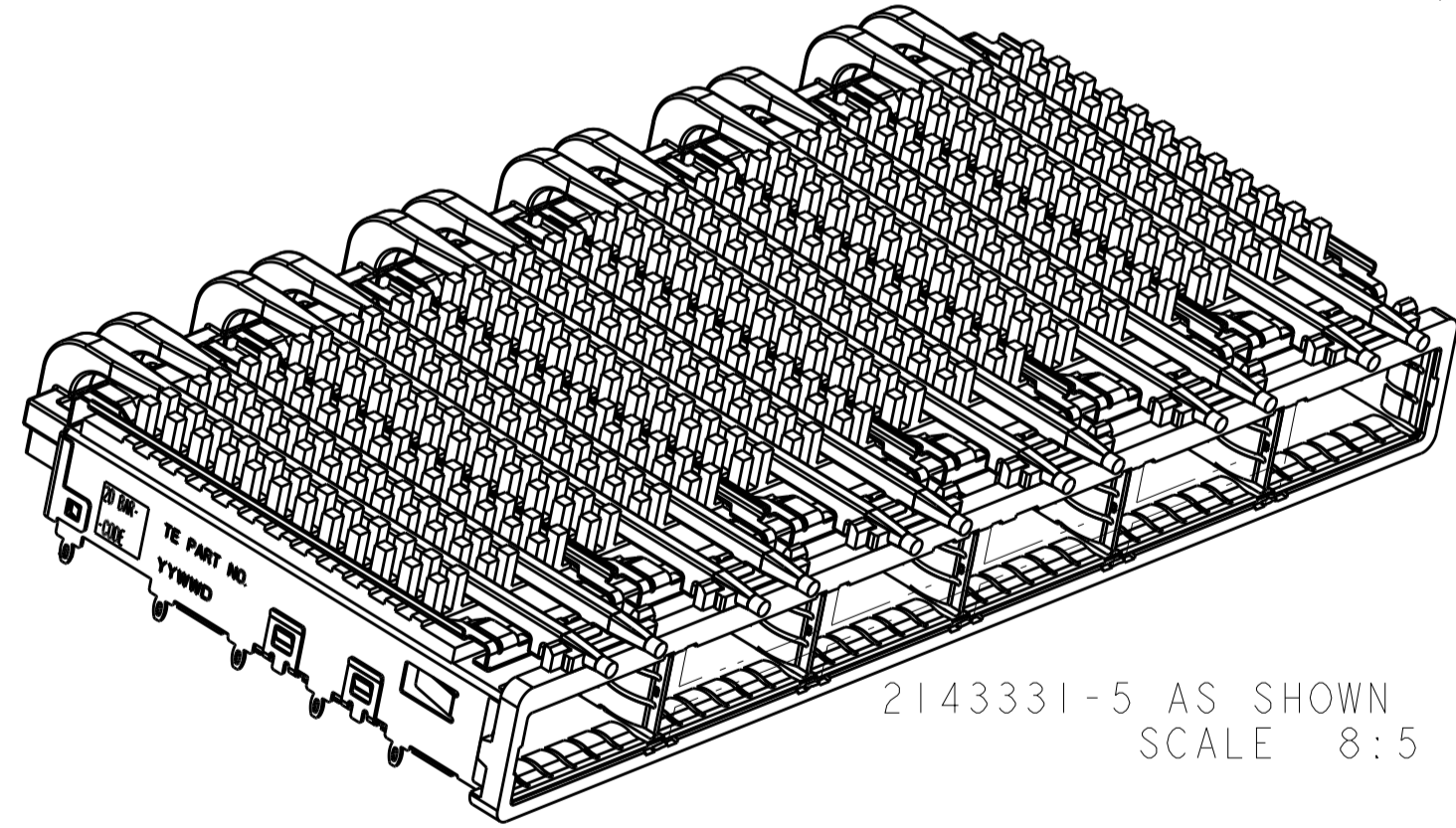
- ⚠ CAGE ASSEMBLY MATERIAL: NICKEL SILVER, 0.25 THICK
 HEAT SINK MATERIAL: ALUMINUM
 HEAT SINK CLIP MATERIAL: STAINLESS STEEL
 EMI SPRING MATERIAL: COPPER ALLOY
 FRONT FLANGE MATERIAL: ZINC ALLOY
 LIGHT PIPE MATERIAL: CLEAR POLYCARBONATE
- ② PITCH BETWEEN PORTS OF ONE 1X6 CAGE ASSEMBLY.
- ③ SPACING BETWEEN CAGES ON THE SAME PC BOARD, TO BE SPECIFIED BY CUSTOMER, MUST COMPLY WITH MINIMUM DIMENSIONS SHOWN.
- ④ REFERENCE APPLICATION SPEC 114-13218 FOR RECOMMENDED DRILL HOLE DIAMETER AND PLATING THICKNESS.
- ⑤ DATUMS AND BASIC DIMENSIONS ESTABLISHED BY CUSTOMER.
- ⑥ DIMENSION F IS THE NOMINAL THICKNESS OF CUSTOMER SUPPLIED PC BOARD,
 SINGLE SIDED PC BOARD MINIMUM THICKNESS = 1.45mm
 DOUBLE SIDED PC BOARD MINIMUM THICKNESS = 2.2mm PER QSFP.
- ⑦ HEAT SINKS, LIGHT PIPES, AND HEAT SINK CLIPS SHIPPED ASSEMBLED TO CAGE ASSEMBLY. CAGE ASSEMBLY MAY BE PRESSED INTO THE PCB AS SHIPPED.
- ⑧ DATUM A IS TOP SURFACE OF PC BOARD.
- ⑨ DIMENSION APPLIES WITH MODULE INSERTED IN CAGE.
- ⑩ UNPLATED THRU HOLE.
- 11. MATES WITH QSFP MSA COMPATIBLE TRANSCEIVER.
- ⑫ SURFACE TRACES PERMITTED WITHIN THIS AREA EXCEPT WHERE CAGE STANDOFFS, SHOWN IN DETAIL S, CONTACT PC BOARD.
- ⑬ BASELINE FOR THESE DIMENSIONS IS THE CENTER OF COMPLIANT PIN HOLE.
- ⑭ 2D BARCODE AND DATE CODE (YYWW) MARKED ON SIDE OF CAGE ASSEMBLY.

- ⑮ REFERENCE APP SPEC 114-13218 FOR GASKET THICKNESS CALCULATION.
- ⑯ EMI SPRING FINISH: 2um MINIMUM TIN
 FRONT FLANGE FINISH: 3um MINIMUM TIN OVER 1.27um MINIMUM NICKEL OVER 5.08um MINIMUM COPPER.
 HEAT SINK FINISH: BLACK ANODIZED
- ⑰ HEAT SINKS AND CLIPS SHIPPED ASSEMBLED TO CAGE ASSEMBLY. CAGE ASSEMBLY MAY BE PRESSED INTO THE PCB AS SHIPPED. LIGHT PIPES, SHIPPED UNATTACHED, MUST BE ASSEMBLED BY CUSTOMER AFTER THE CAGE IS SEATED IN THE PCB.
- ⑱ ROUND LIGHT PIPES PLEASE SEE SHEET 4/6

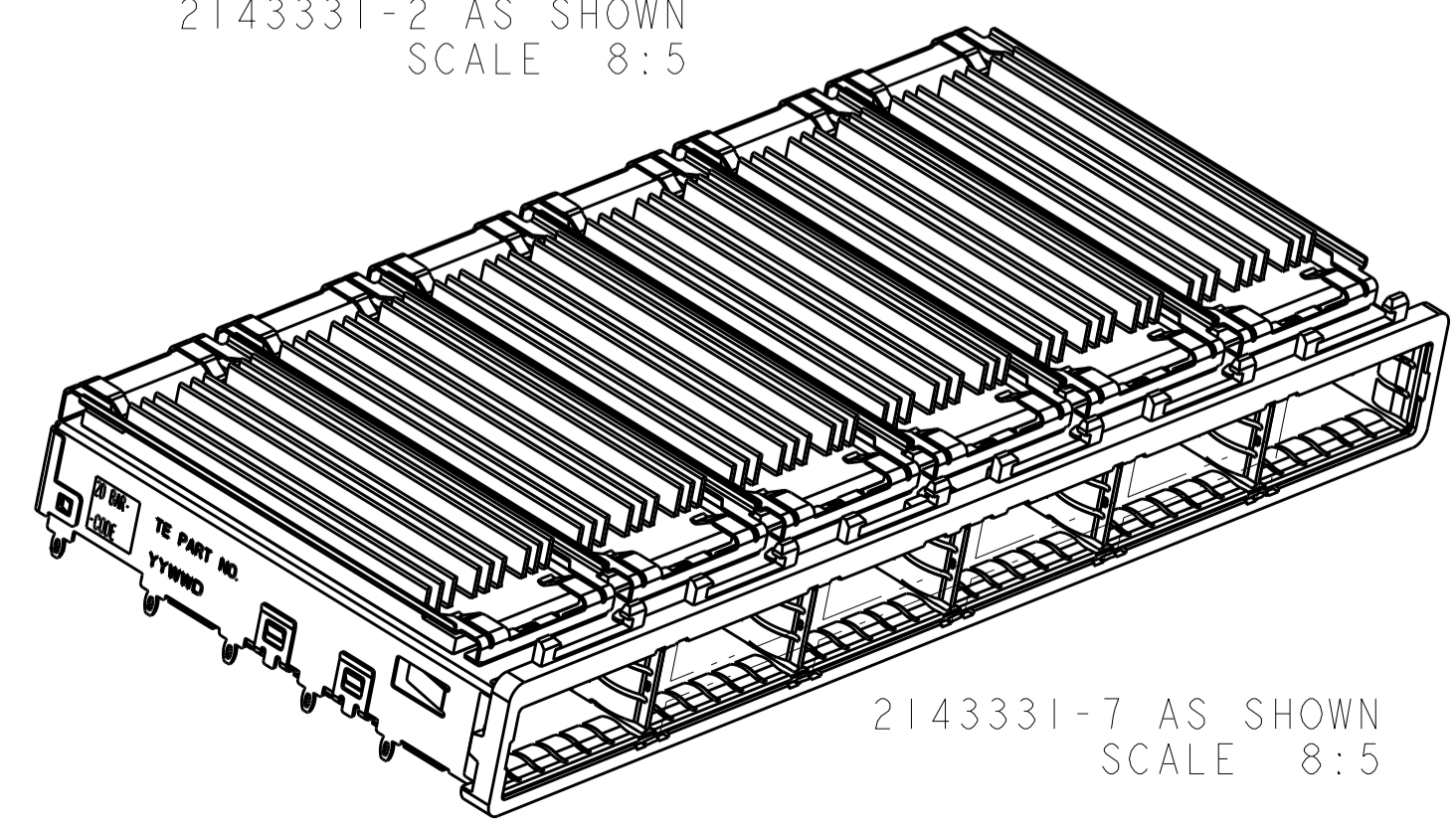


CAGE ASSEMBLY
 2143331-2 AS SHOWN
 SCALE 8:5

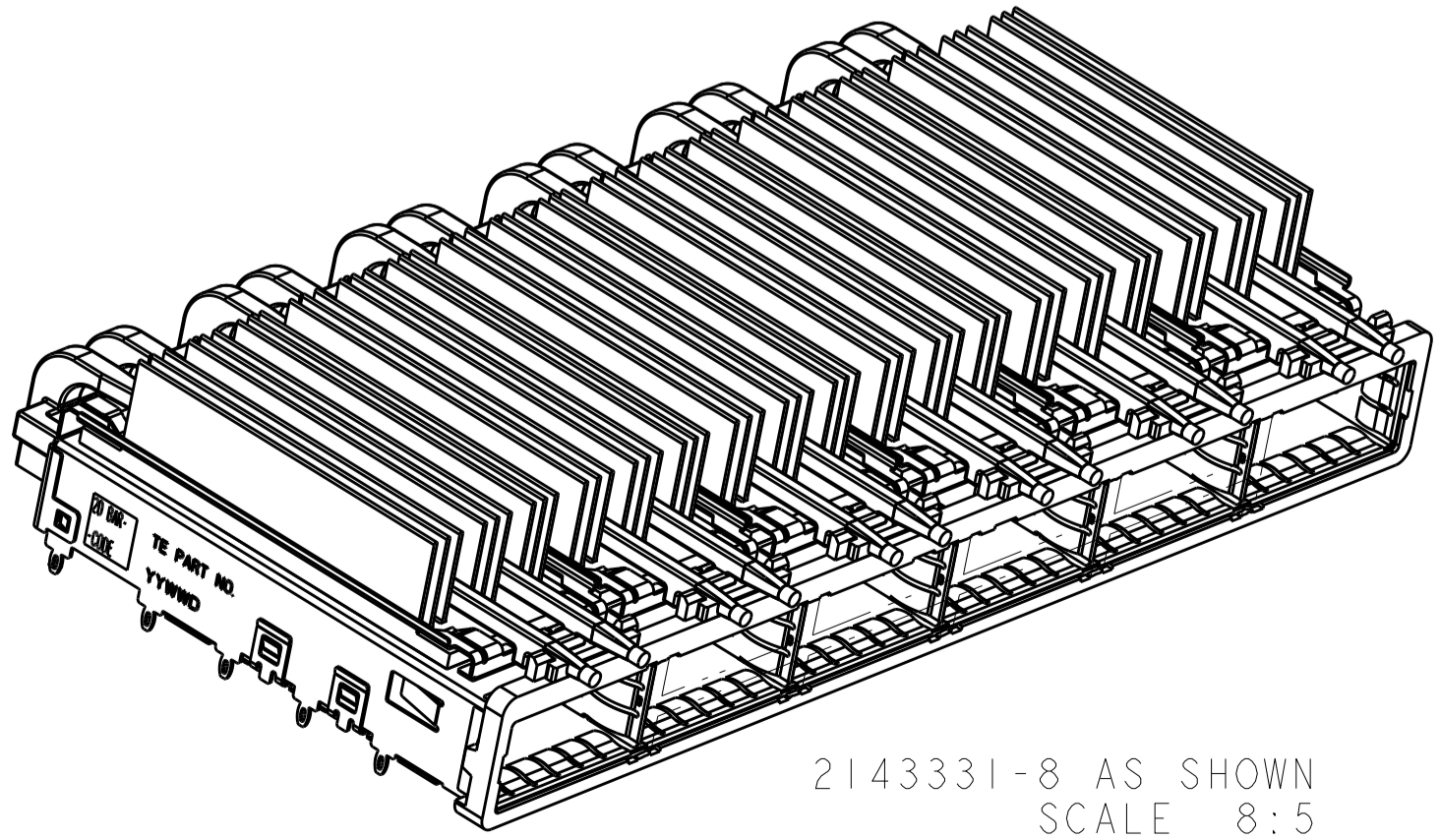
EMI SPRINGS



2143331-5 AS SHOWN
 SCALE 8:5



2143331-7 AS SHOWN
 SCALE 8:5



2143331-8 AS SHOWN
 SCALE 8:5

⑱	ROUND LIGHT PIPE	2.00	21.0	FIN TYPE	2143331-8
	N/A	N/A	15.0	FIN TYPE	2143331-7
	ROUND LIGHT PIPES	1.66	23.0	NETWORKING	2143331-6
			16.0	SAN	2143331-5
	SQUARE LIGHT PIPES	1.66	13.7	PCI	2143331-4
			23.0	NETWORKING	2143331-3
			16.0	SAN	2143331-2
	LIGHT PIPE TYPE	A	13.7	PCI	2143331-1
			B	HEAT SINK PROFILE	PART NUMBER

THIS DRAWING IS A CONTROLLED DOCUMENT. DWN: C. VALENTINE 18MAR2010
 CHK: J. PETERSON 18MAR2010
 APVD: J. PETERSON 18MAR2010

DIMENSIONS: mm
 TOLERANCES UNLESS OTHERWISE SPECIFIED:
 0 PLC ±
 1 PLC ±0.20
 2 PLC ±0.15
 3 PLC ±
 4 PLC ±
 ANGLES ±

MATERIAL: FINISH: ⑯

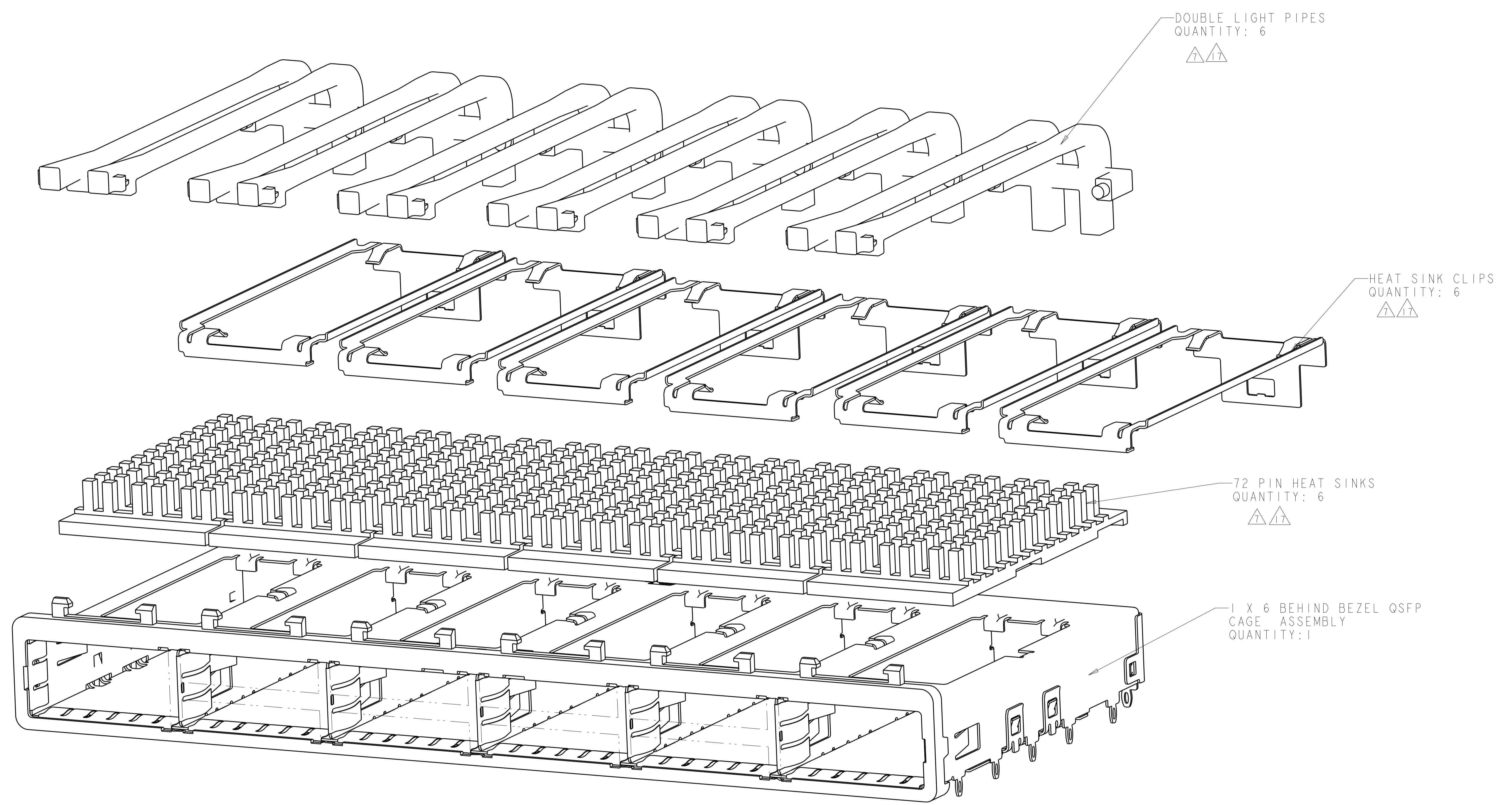
Customer Drawing

NAME: 1X6 CAGE ASSEMBLY, BEHIND BEZEL, W/ QSFP LIGHT PIPES AND HEAT SINKS, QSFP
 PRODUCT SPEC: 108-2286
 APPLICATION SPEC: 114-13218
 WEIGHT: -

SIZE: A1
 CAGE CODE: 00779
 DRAWING NO: 2143331
 RESTRICTED TO: -

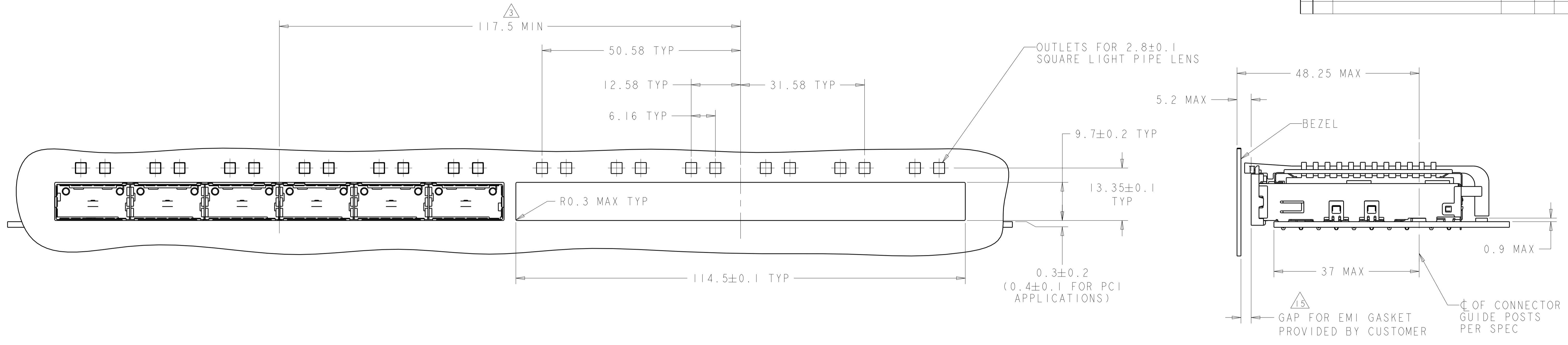
SCALE: 3:1 SHEET 1 OF 6 REV B

LOC	DIST	REVISIONS			
P	LTN	DESCRIPTION	DATE	DWN	APVD
-	-	SEE SHEET 1	-	-	-

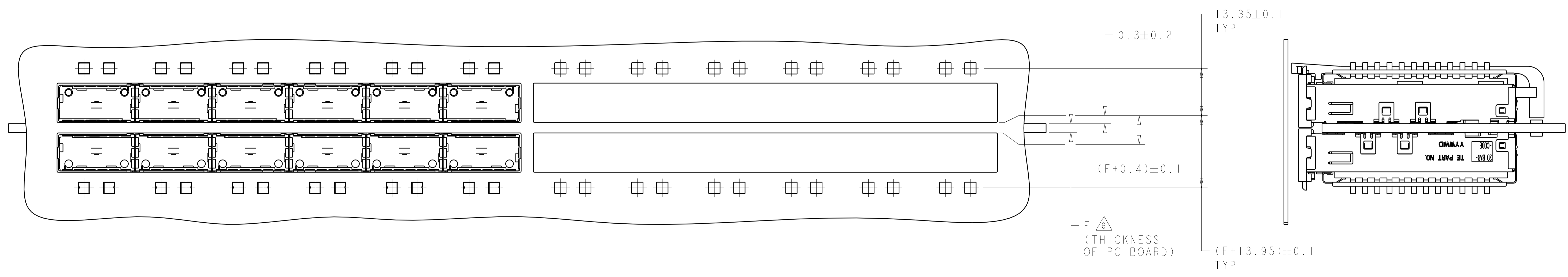


THIS DRAWING IS A CONTROLLED DOCUMENT.		DWN C. VALENTINE 18MAR2010	TE Connectivity	
DIMENSIONS: mm		CHK J. PETERSON 18MAR2010		
TOLERANCES UNLESS OTHERWISE SPECIFIED: 0 PLC ±. 1 PLC ±0.1 2 PLC ±0.1 3 PLC ±. 4 PLC ±. ANGLES ±. FINISH		APVD J. PETERSON 18MAR2010	NAME 1X6 CAGE ASSEMBLY, BEHIND BEZEL, W/ 50R LIGHT PIPES AND HEAT SINKS, QSFP	
MATERIAL		PRODUCT SPEC 108-2286	SIZE A100779C=2143331	
		APPLICATION SPEC 114-13218	RESTRICTED TO	
		WEIGHT	SCALE 4:1 SHEET 2 OF 6 REV B	
		Customer Drawing		

LOC	DIST	REV	DESCRIPTION	DATE	OWN	APVD
GP	00		SEE SHEET 1			



ONE SIDED CONFIGURATION WITH SQUARE LIGHT PIPES
 SCALE 2:1



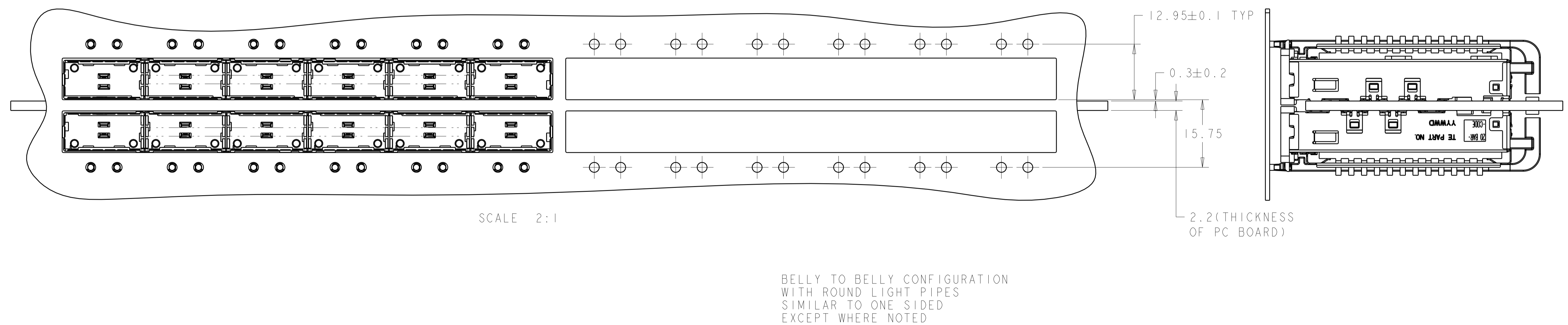
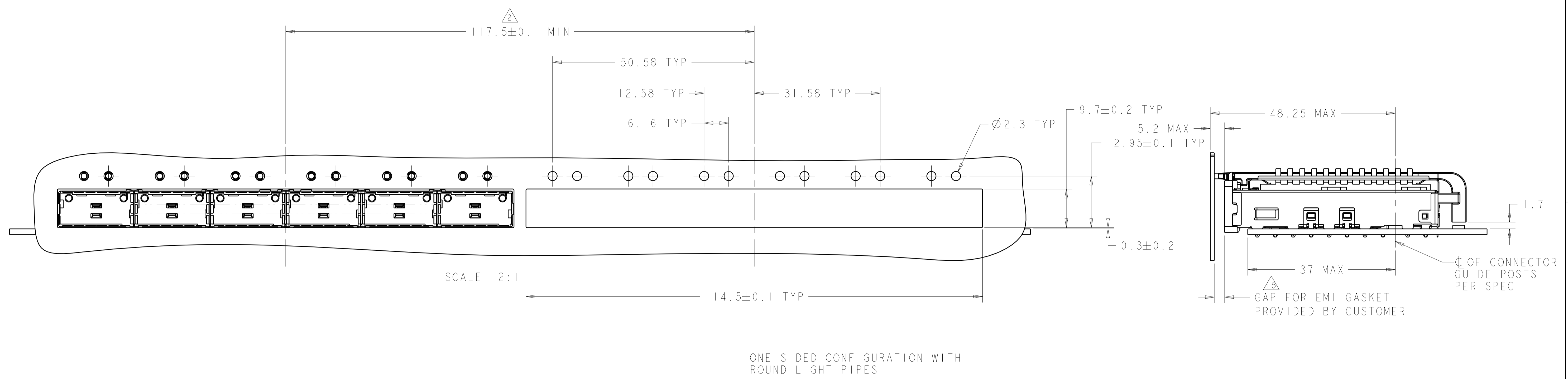
BELLY TO BELLY CONFIGURATION WITH SQUARE LIGHT PIPES
 SIMILAR TO ONE SIDED EXCEPT WHERE NOTED
 SCALE 2:1

THIS DRAWING IS A CONTROLLED DOCUMENT.

DWN: C. VALENTINE 18MAR2010	CHK: J. PETERSON 18MAR2010	APVD: J. PETERSON 18MAR2010	NAME: 1X6 CAGE ASSEMBLY, BEHIND BEZEL, W/ SQR LIGHT PIPES AND HEAT SINKS, QSFP
DIMENSIONS: mm			PRODUCT SPEC: 108-2286
TOLERANCES UNLESS OTHERWISE SPECIFIED:			APPLICATION SPEC: 114-13218
0 PLC ±	1 PLC ±0.1	2 PLC ±0.1	3 PLC ±
4 PLC ±	ANGLES ±	FINISH ±	WEIGHT -
MATERIAL -	FINISH -	WEIGHT -	Customer Drawing

SCALE 4:1 SHEET 3 OF 6 REV B

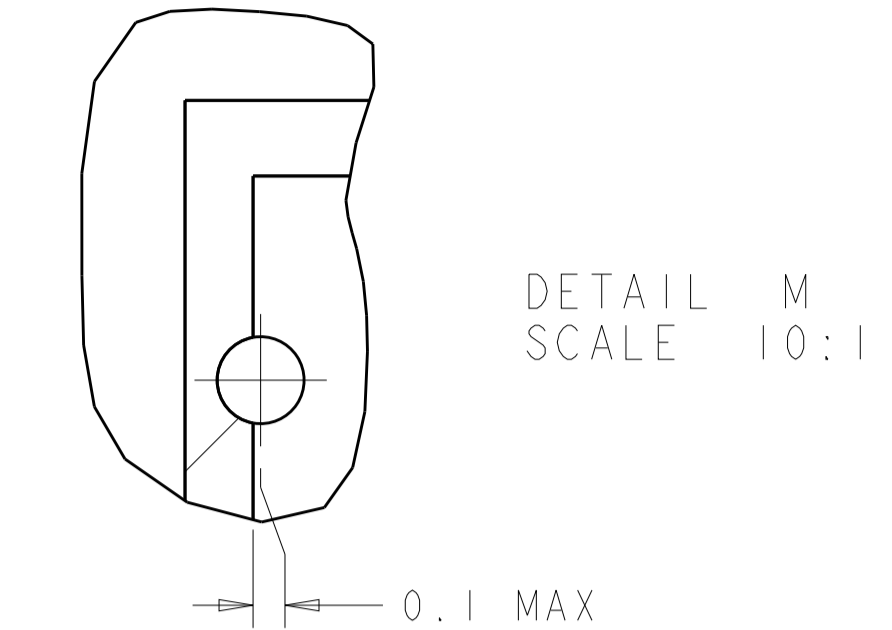
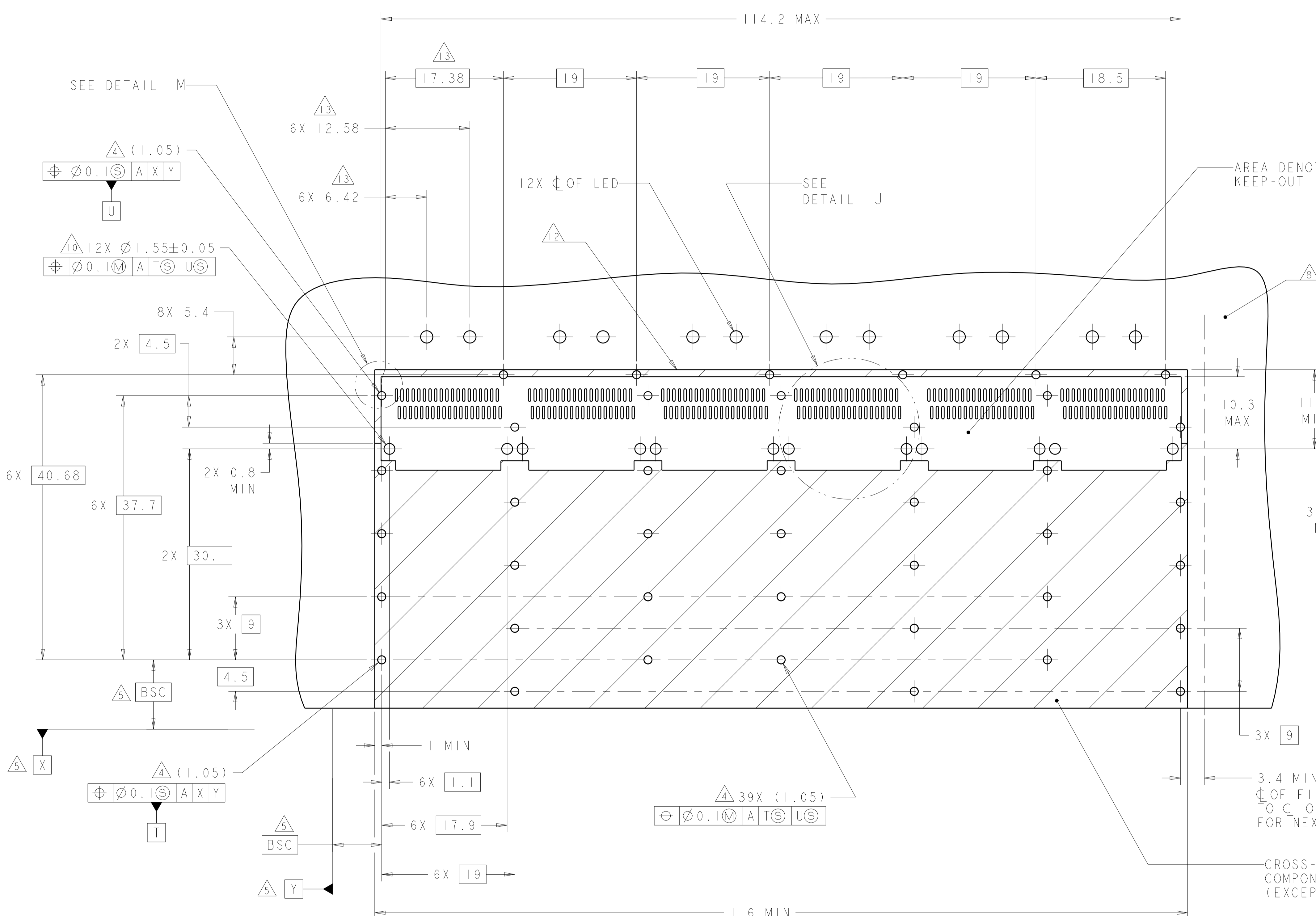
LOC	DIST	REVISIONS					
GP	00	P	LTN	DESCRIPTION	DATE	DMN	APVD
-	-	-	-	SEE SHEET 1	-	-	-



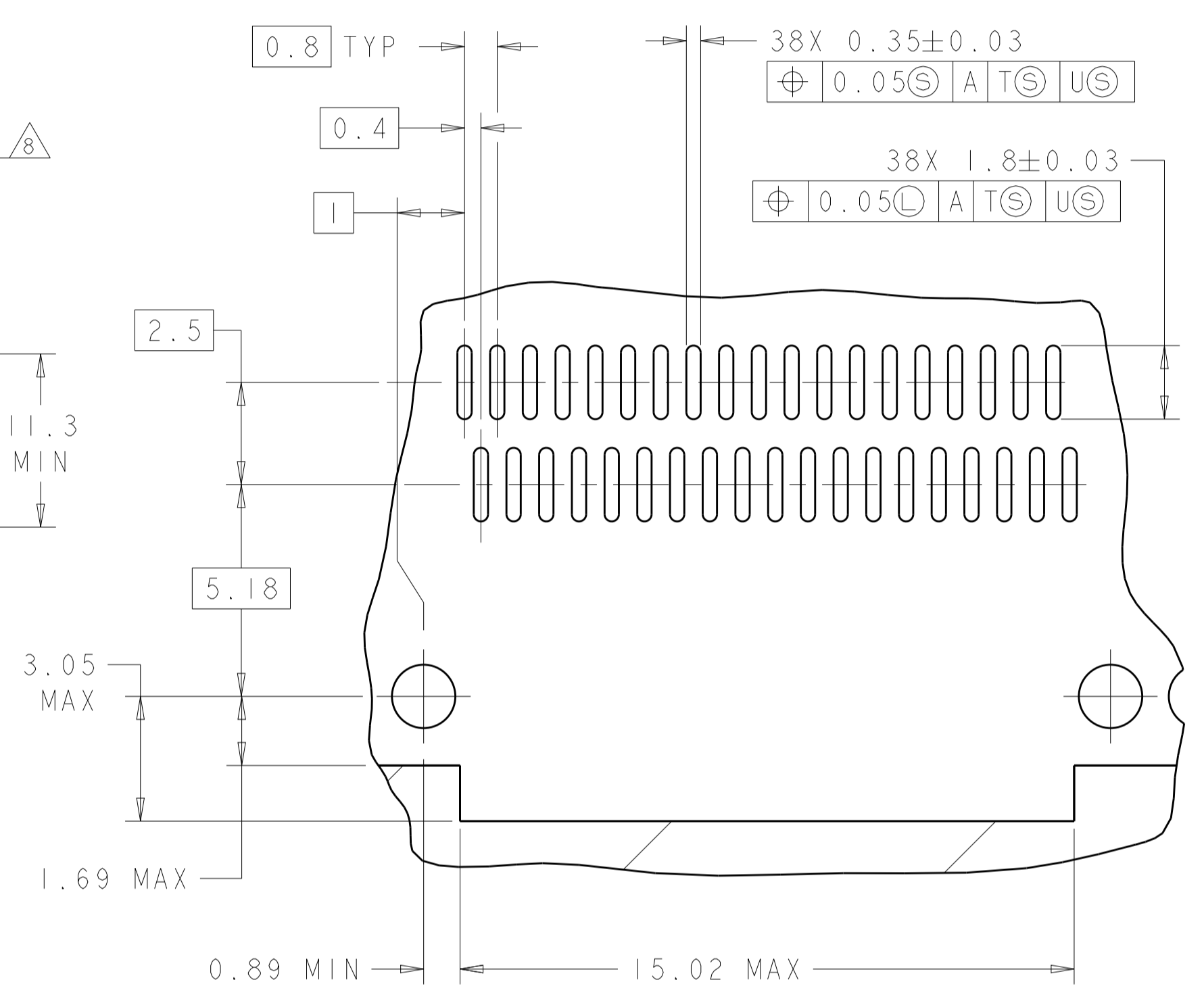
THIS DRAWING IS A CONTROLLED DOCUMENT.		DMN C. VALENTINE 18MAR2010	TE Connectivity
DIMENSIONS:		CHK J. PETERSON 18MAR2010	
mm	TOLERANCES UNLESS OTHERWISE SPECIFIED:	APVD J. PETERSON 18MAR2010	NAME 1X6 CAGE ASSEMBLY, BEHIND BEZEL, W/ SOR LIGHT PIPES AND HEAT SINKS, QSFP
	0 PLC ±	PRODUCT SPEC	SIZE CAGE CODE DRAWING NO
	1 PLC ±0.1	108-2286	A100779C=2143331
	2 PLC ±0.1	APPLICATION SPEC	RESTRICTED TO
	3 PLC ±	114-13218	Customer Drawing
	4 PLC ±	WEIGHT	SCALE 3:1 SHEET 4 OF 6 REV B
	ANGLES ±		
MATERIAL	FINISH		

LOC	DIST	REV	DATE	BY	APPV
GP	00				

REVISIONS			
NO.	DESCRIPTION	DATE	BY
-	SEE SHEET 1	-	-



AREA DENOTES COMPONENT KEEP-OUT (TRACES PERMITTED)



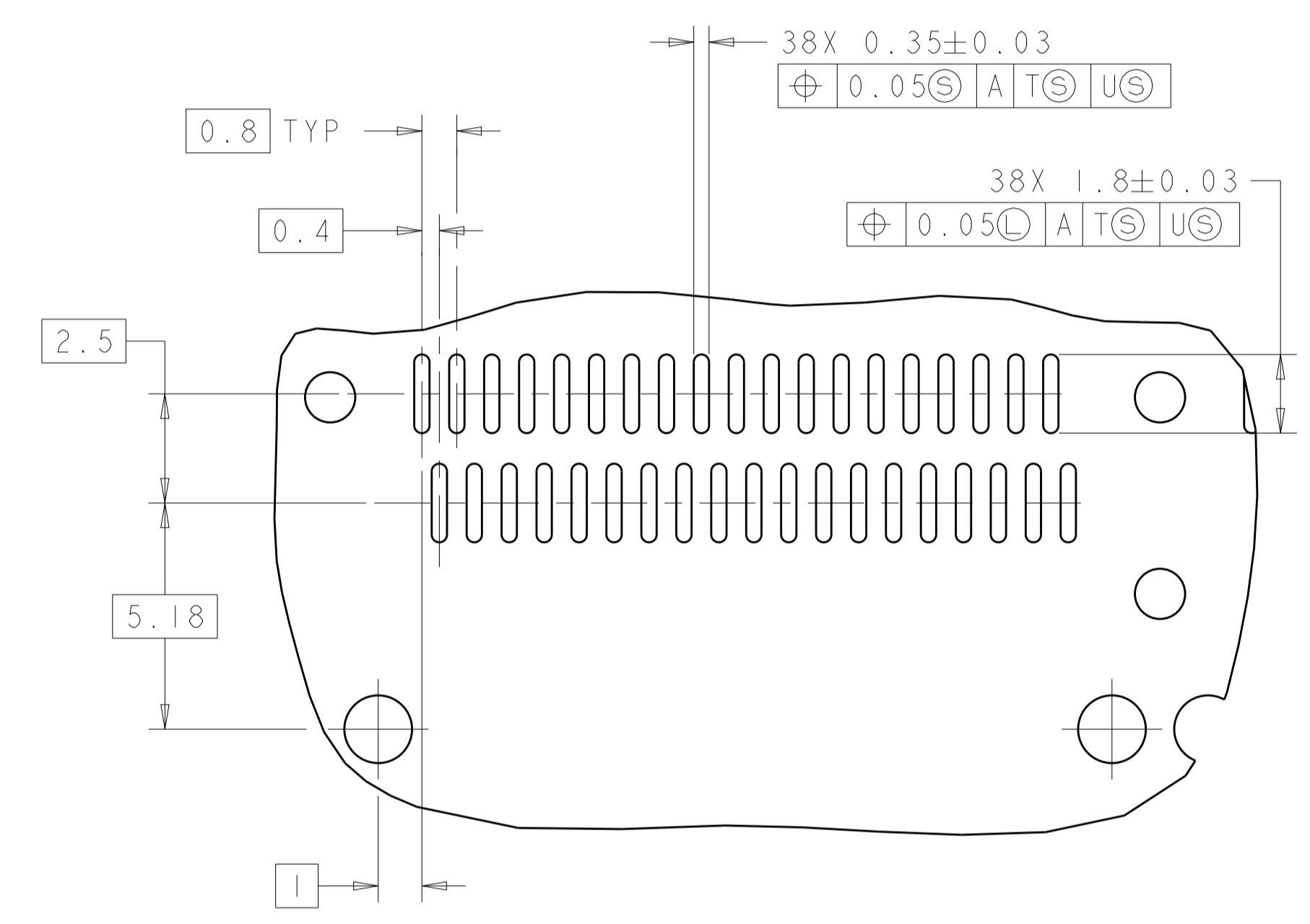
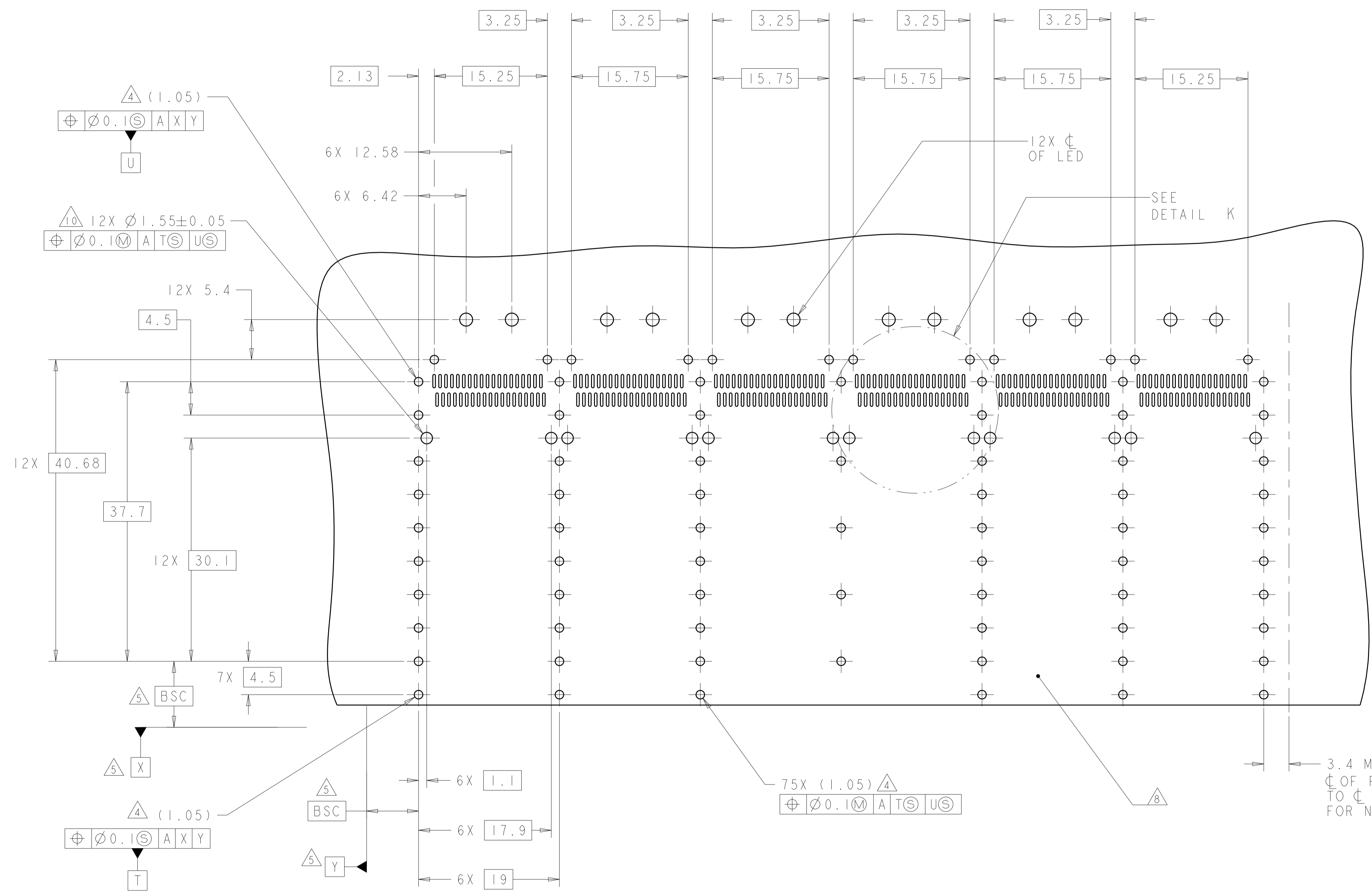
DETAIL J
6 PLACES
SCALE 8:1

CROSS-HATCHED AREA DENOTES COMPONENT AND TRACE KEEP-OUT (EXCEPT CHASSIS GROUND)

RECOMMENDED PC BOARD LAYOUT
SINGLE SIDE MOUNT CONFIGURATION
SCALE 3:1

THIS DRAWING IS A CONTROLLED DOCUMENT.		OWN: C. VALENTINE 18MAR2010	TE Connectivity
DIMENSIONS: mm		CHK: J. PETERSON 18MAR2010	
TOLERANCES UNLESS OTHERWISE SPECIFIED:		APVD: J. PETERSON 18MAR2010	NAME: 1X6 CAGE ASSEMBLY, BEHIND BEZEL, W/ SOR LIGHT PIPES AND HEAT SINKS, QSFP
0 PLC \pm	1 PLC \pm 0.1	PRODUCT SPEC: 108-2286	SIZE: CAGE CODE DRAWING NO: A100779
2 PLC \pm 0.1	3 PLC \pm	APPLICATION SPEC: 114-13218	RESTRICTED TO: -
4 PLC \pm	ANGLES \pm	WEIGHT: -	SCALE: 4:1 SHEET 5 OF 6 REV B
MATERIAL: -	FINISH: -	Customer Drawing	

LOC	DIST	REVISIONS					
GP	00	P.	LTN	DESCRIPTION	DATE	DMN	APVD
-	-	-	-	SEE SHEET 1	-	-	-



DETAIL K
 6 PLACES
 SCALE 8:1

RECOMMENDED PC BOARD LAYOUT
 BELLY TO BELLY CONFIGURATION
 SEE SHEET 4 FOR COMPONENT AND TRACE KEEP-OUTS
 SCALE 3:1

THIS DRAWING IS A CONTROLLED DOCUMENT.		DMN C. VALENTINE 18MAR2010	TE Connectivity
DIMENSIONS: mm		CHK J. PETERSON 18MAR2010	
TOLERANCES UNLESS OTHERWISE SPECIFIED: 0 PLC ±. 1 PLC ±0.1 2 PLC ±0.1 3 PLC ±. 4 PLC ±. ANGLES ±. FINISH		APVD J. PETERSON 18MAR2010 NAME 1X6 CAGE ASSEMBLY, BEHIND BEZEL, W/ SOR LIGHT PIPES AND HEAT SINKS, QSFP PRODUCT SPEC 108-2286 APPLICATION SPEC 114-13218 WEIGHT - Customer Drawing	SIZE A100779C=2143331 RESTRICTED TO - SCALE 4:1 SHEET 6 OF 6 REV B

Mouser Electronics

Authorized Distributor

Click to View Pricing, Inventory, Delivery & Lifecycle Information:

[TE Connectivity:](#)

[2143331-3](#)