

SERIES

**SPD125R & SPD127R
SPD125 & SPD127**

RoHS
Compliant

Traditional
First Quality

DASH NUMBER*

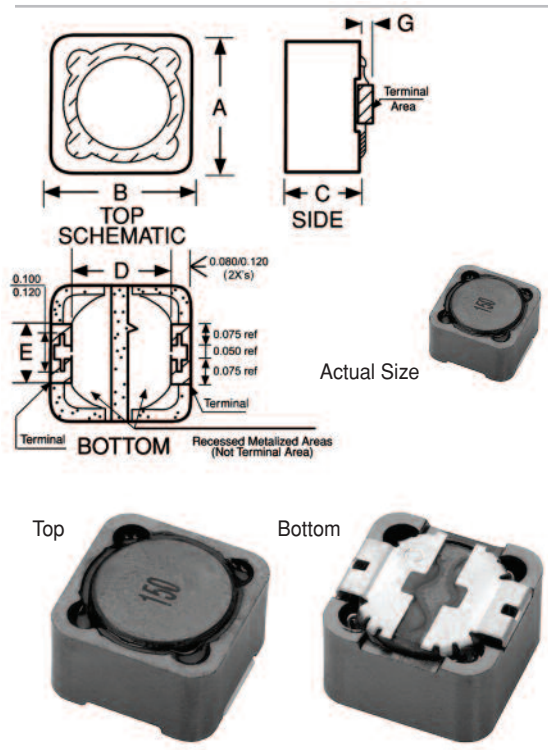
INDUCTANCE (μH) ±20%

TEST FREQUENCY (kHz)

DC RESISTANCE
MAXIMUM (OHMS)

CURRENT RATING
TYPICAL (AMPS)

Shielded Surface Mount Inductors



SERIES SPD125 FERRITE CORE & SLEEVE				
-222M	2.2	100	0.020	7.00
-332M	3.3	100	0.030	5.50
-472M	4.7	100	0.040	5.00
-682M	6.8	100	0.050	4.50
-103M	10	100	0.055	4.00
-123M	12	1.0	0.060	3.50
-153M	15	1.0	0.065	3.30
-183M	18	1.0	0.070	3.00
-223M	22	1.0	0.075	2.80
-273M	27	1.0	0.085	2.30
-333M	33	1.0	0.095	2.10
-393M	39	1.0	0.105	2.00
-473M	47	1.0	0.115	1.80
-563M	56	1.0	0.135	1.60
-683M	68	1.0	0.170	1.50
-823M	82	1.0	0.190	1.40
-104M	100	1.0	0.210	1.30
-124M	120	1.0	0.250	1.10
-154M	150	1.0	0.300	1.00
-184M	180	1.0	0.350	0.90
-224M	220	1.0	0.420	0.80
-274M	270	1.0	0.510	0.75
-334M	330	1.0	0.600	0.70
-394M	390	1.0	0.750	0.65
-474M	470	1.0	0.820	0.60
-564M	560	1.0	1.000	0.55
-684M	680	1.0	1.300	0.50
-824M	820	1.0	1.650	0.45
-105M	1000	1.0	2.000	0.40

SERIES SPD127 FERRITE CORE & SLEEVE				
-222M	2.2	100	0.015	8.50
-332M	3.3	100	0.018	7.50
-472M	4.7	100	0.022	6.80
-682M	6.8	100	0.030	6.20
-103M	10	100	0.040	5.40
-123M	12	1.0	0.045	4.90
-153M	15	1.0	0.048	4.50
-183M	18	1.0	0.052	3.90
-223M	22	1.0	0.055	3.60
-273M	27	1.0	0.060	3.40
-333M	33	1.0	0.065	3.00
-393M	39	1.0	0.080	2.80
-473M	47	1.0	0.100	2.50
-563M	56	1.0	0.120	2.30
-683M	68	1.0	0.140	2.10
-823M	82	1.0	0.170	1.90
-104M	100	1.0	0.220	1.70
-124M	120	1.0	0.250	1.60
-154M	150	1.0	0.320	1.40
-184M	180	1.0	0.360	1.30
-224M	220	1.0	0.390	1.20
-274M	270	1.0	0.520	1.10
-334M	330	1.0	0.620	1.00
-394M	390	1.0	0.750	0.90
-474M	470	1.0	0.980	0.80
-564M	560	1.0	1.150	0.75
-684M	680	1.0	1.220	0.70
-824M	820	1.0	1.400	0.65
-105M	1000	1.0	1.540	0.62

Physical Parameters

	Inches	Millimeters
A	0.472 ± 0.032	12.0 ± 0.8
B	0.472 ± 0.032	12.0 ± 0.8
C	0.236 Max.	6.0 Max. (Series SPD125)
	0.315 Max.	8.0 Max. (Series SPD127)
D	0.300 ± 0.020	7.6 ± 0.5
E	0.198 ± 0.020	5.0 ± 0.5
F	0.086 ± 0.020	2.18 ± 0.5
G	0.015 Ref. only	0.38 Ref. only
H	0.075 Ref. only	1.91 Ref. only
I	0.198 Ref. only	5.03 Ref. only

Mechanical Configuration Units designed for surface mounting; ferrite core and ferrite sleeve

Operating temperature range -55°C to +125°C

Application Frequency Range

Values 2.2μH to 10μH to 1.0 MHz Min.
Values above 10μH to 300 kHz Min.

Current Rating at 25°C Ambient The maximum DC current that will cause a 40°C maximum temperature rise and where the inductance will not decrease by more than 10% from its zero DC value

Marking For values lower than 10 H the R indicates a decimal point and the remaining digits indicate the inductance in H. For values 10 H and above, the first two digits indicate the inductance in H and the third digit indicates the number of trailing zeros where a zero indicates that there are no trailing zeros.

Example: SPD125R-222M (2.2 H)
2R2

Example: SPD127R-105M (1,000 H)
102

Packaging Tape & reel (24mm):
13" reel, 500 pieces max.; 7" reel not available

*Complete part # must include series # PLUS the dash #

For surface finish information, refer to www.delevanfinishes.com

Mouser Electronics

Authorized Distributor

Click to View Pricing, Inventory, Delivery & Lifecycle Information:

API Delevan:

[SPD125-103M](#) [SPD125-103MTR](#) [SPD125-104MTR](#) [SPD125-105M](#) [SPD125-153MTR](#) [SPD125-222M](#) [SPD125-222MTR](#) [SPD125-332MTR](#) [SPD125-473M](#) [SPD127-104MTR](#) [SPD127-105M](#) [SPD127-154MTR](#) [SPD127-223MTR](#) [SPD127-393M](#) [SPD127-473MTR](#) [SPD127-474MTR](#) [SPD127-563M](#) [SPD127-682MTR](#) [SPD127-683M](#) [SPD127-683MTR](#) [SPD125-684M](#) [SPD127-333MTR](#) [SPD127R-154MTR](#) [SPD125R-473MTR](#) [SPD125-154M](#) [SPD127R-473MTR](#) [SPD125R-103M](#) [SPD127R-104MTR](#) [SPD125-332M](#) [SPD125-472M](#) [SPD125-682M](#) [SPD125-123M](#) [SPD125-153M](#) [SPD125-183M](#) [SPD125-223M](#) [SPD125-273M](#) [SPD125-333M](#) [SPD125-393M](#) [SPD125-563M](#) [SPD125-683M](#) [SPD125-823M](#) [SPD125-104M](#) [SPD125-124M](#) [SPD125-184M](#) [SPD125-224M](#) [SPD125-274M](#) [SPD125-334M](#) [SPD125-394M](#) [SPD125-474M](#) [SPD125-564M](#) [SPD125-824M](#) [SPD125R-222M](#) [SPD125R-332M](#) [SPD125R-472M](#) [SPD125R-682M](#) [SPD125R-123M](#) [SPD125R-153M](#) [SPD125R-183M](#) [SPD125R-223M](#) [SPD125R-273M](#) [SPD125R-333M](#) [SPD125R-393M](#) [SPD125R-473M](#) [SPD125R-563M](#) [SPD125R-683M](#) [SPD125R-823M](#) [SPD125R-104M](#) [SPD125R-124M](#) [SPD125R-154M](#) [SPD125R-184M](#) [SPD125R-224M](#) [SPD125R-274M](#) [SPD125R-334M](#) [SPD125R-394M](#) [SPD125R-474M](#) [SPD125R-564M](#) [SPD125R-684M](#) [SPD125R-824M](#) [SPD125R-105M](#) [SPD127-222M](#) [SPD127-332M](#) [SPD127-472M](#) [SPD127-682M](#) [SPD127-103M](#) [SPD127-123M](#) [SPD127-153M](#) [SPD127-183M](#) [SPD127-223M](#) [SPD127-273M](#) [SPD127-333M](#) [SPD127-473M](#) [SPD127-823M](#) [SPD127-104M](#) [SPD127-124M](#) [SPD127-154M](#) [SPD127-184M](#) [SPD127-224M](#) [SPD127-274M](#) [SPD127-394M](#) [SPD127-474M](#)