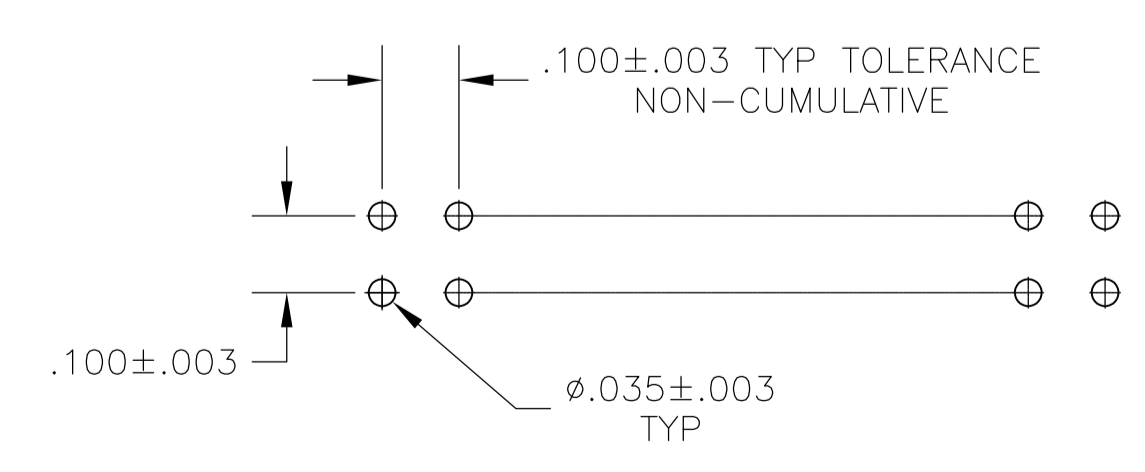
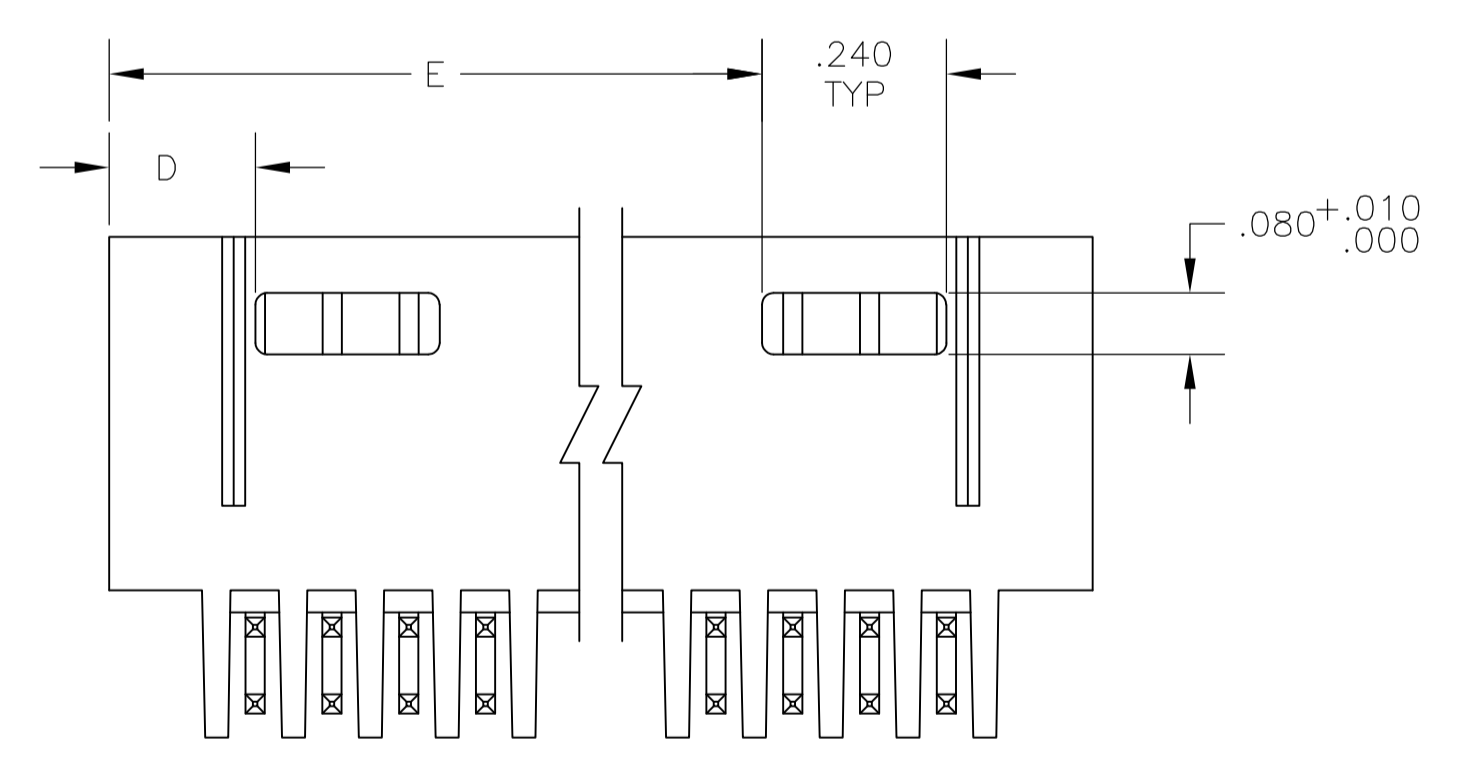
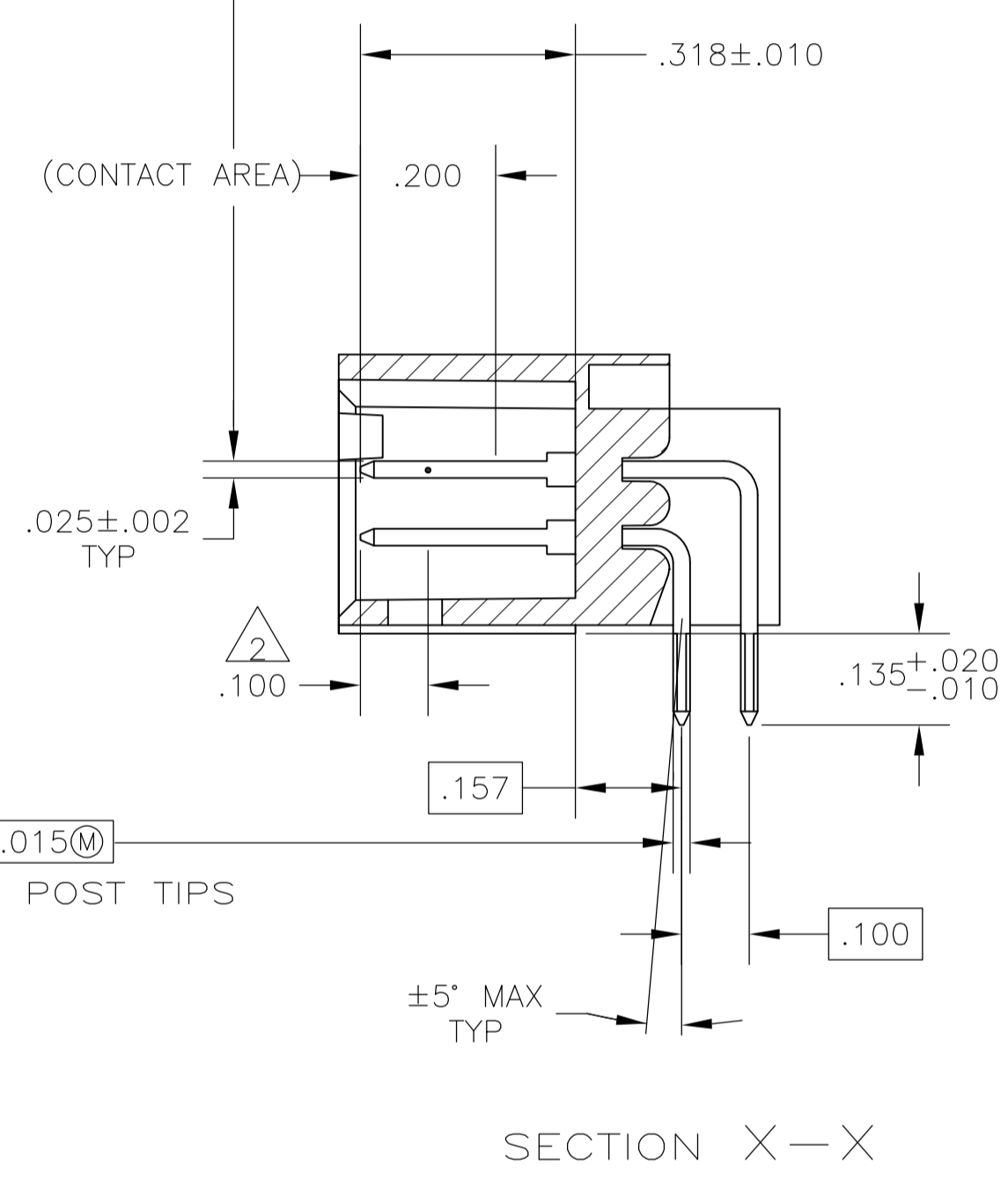
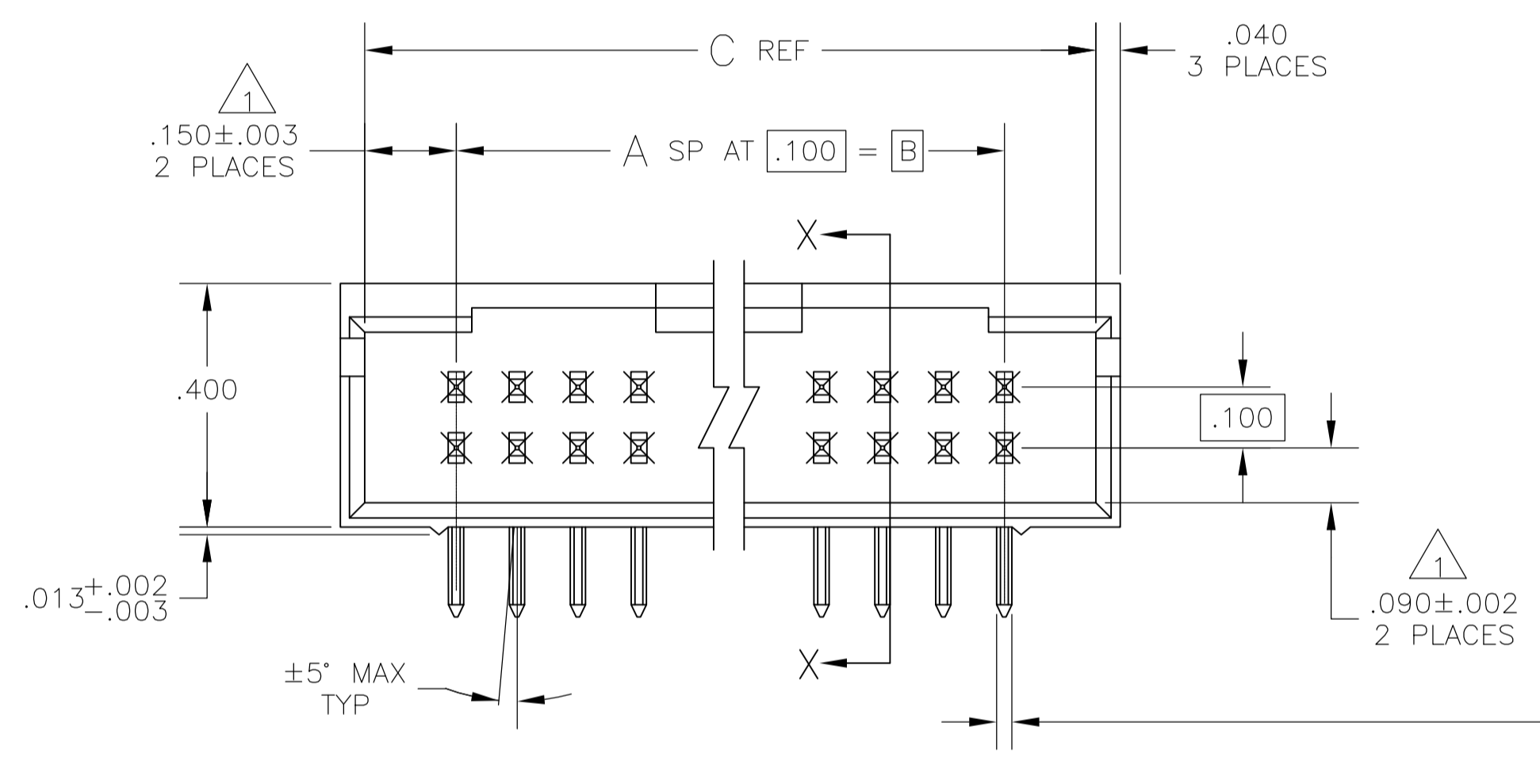
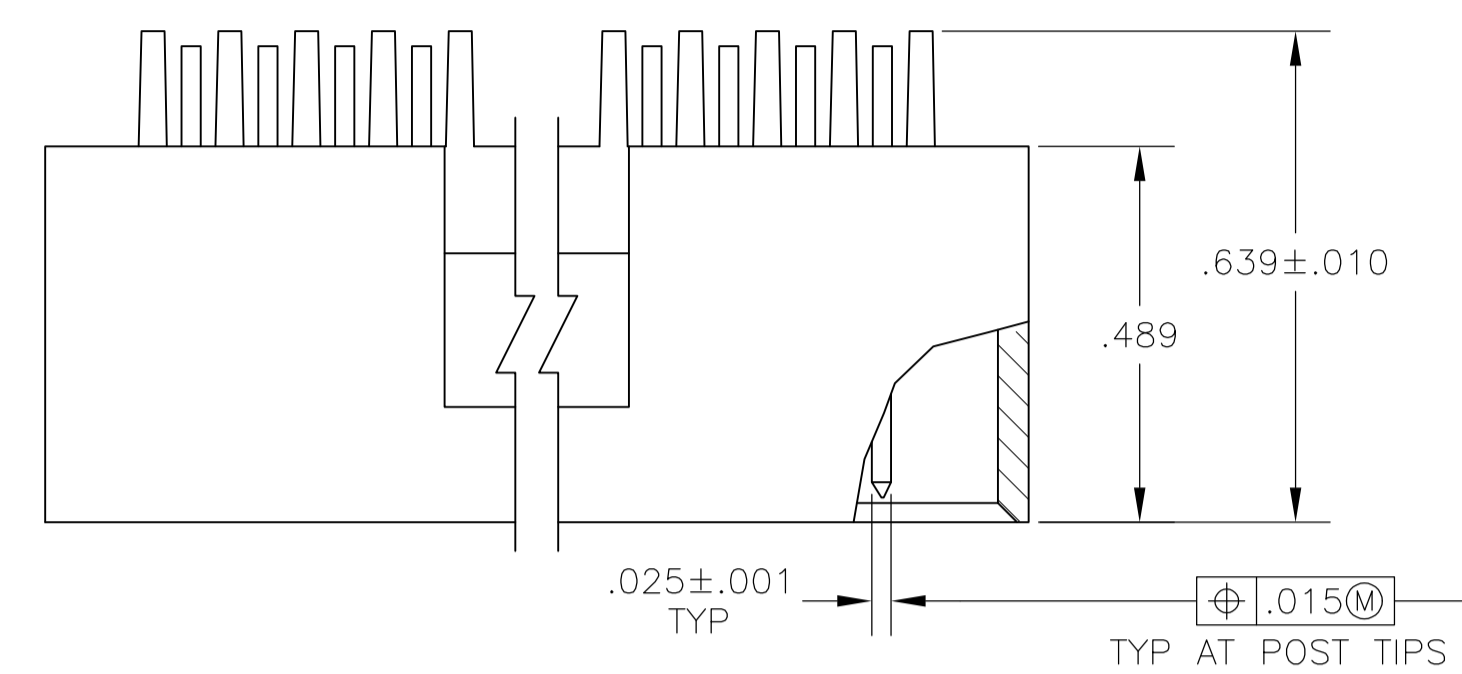


- 1 THE NOTED DIMENSION APPLIES AT THE INTERSECTION OF THE POST AND HOUSING
- 2 POINT OF MEASUREMENT FOR PLATING THICKNESS.
- 3 POSTS: .000030 GOLD IN CONTACT AREA .000100-.000200 MATTE TIN LEAD ON SOLDER TAIL, ALL OVER .000050 NICKEL
- 4 POSTS: .000030 GOLD IN CONTACT AREA .000100-.000200 MATTE TIN ON SOLDER TAIL, ALL OVER .000050 NICKEL
- 5 OBSOLETE PARTS: OBSOLETE CIS STREAMLINING PER D.RENAUD/D.SINISI



REV	DATE	BY	CHK	DESCRIPTION	NO OF POSN	ASSEMBLY PART NUMBER
5	8-103167-3			OBSOLETE	35	72
4	8-103167-2			OBSOLETE	34	70
3	8-103167-1			OBSOLETE	33	68
2	8-103167-0			OBSOLETE	32	66
1	7-103167-9			OBSOLETE	31	64
0	7-103167-8			OBSOLETE	30	62
0	7-103167-7			OBSOLETE	29	60
0	7-103167-6			OBSOLETE	28	58
0	7-103167-5			OBSOLETE	27	56
0	7-103167-4			OBSOLETE	26	54
0	7-103167-3			OBSOLETE	25	52
0	7-103167-2			OBSOLETE	24	50
0	7-103167-1			OBSOLETE	23	48
0	7-103167-0			OBSOLETE	22	46
0	6-103167-9			OBSOLETE	21	44
0	6-103167-8			OBSOLETE	20	42
0	6-103167-7			OBSOLETE	19	40
0	6-103167-6			OBSOLETE	18	38
0	6-103167-5			OBSOLETE	17	36
0	6-103167-4			OBSOLETE	16	34
0	6-103167-3			OBSOLETE	15	32
0	6-103167-2			OBSOLETE	14	30
0	6-103167-1			OBSOLETE	13	28
0	6-103167-0			OBSOLETE	12	26
0	5-103167-9			OBSOLETE	11	24
0	5-103167-8			OBSOLETE	10	22
0	5-103167-7			OBSOLETE	9	20
0	5-103167-6			OBSOLETE	8	18
0	5-103167-5			OBSOLETE	7	16
0	5-103167-4			OBSOLETE	6	14
0	5-103167-3			OBSOLETE	5	12
0	5-103167-2			OBSOLETE	4	10
0	5-103167-1			OBSOLETE	3	8
0	3-103167-3			OBSOLETE	35	72
0	3-103167-2			OBSOLETE	34	70
0	3-103167-1			OBSOLETE	33	68
0	3-103167-0			OBSOLETE	32	66
0	2-103167-9			OBSOLETE	31	64
0	2-103167-8			OBSOLETE	30	62
0	2-103167-7			OBSOLETE	29	60
0	2-103167-6			OBSOLETE	28	58
0	2-103167-5			OBSOLETE	27	56
0	2-103167-4			OBSOLETE	26	54
0	2-103167-3			OBSOLETE	25	52
0	2-103167-2			OBSOLETE	24	50
0	2-103167-1			OBSOLETE	23	48
0	2-103167-0			OBSOLETE	22	46
0	1-103167-9			OBSOLETE	21	44
0	1-103167-8			OBSOLETE	20	42
0	1-103167-7			OBSOLETE	19	40
0	1-103167-6			OBSOLETE	18	38
0	1-103167-5			OBSOLETE	17	36
0	1-103167-4			OBSOLETE	16	34
0	1-103167-3			OBSOLETE	15	32
0	1-103167-2			OBSOLETE	14	30
0	1-103167-1			OBSOLETE	13	28
0	1-103167-0			OBSOLETE	12	26
0	103167-9			OBSOLETE	11	24
0	103167-8			OBSOLETE	10	22
0	103167-7			OBSOLETE	9	20
0	103167-6			OBSOLETE	8	18
0	103167-5			OBSOLETE	7	16
0	103167-4			OBSOLETE	6	14
0	103167-3			OBSOLETE	5	12
0	103167-2			OBSOLETE	4	10
0	103167-1			OBSOLETE	3	8

THIS DRAWING IS A CONTROLLED DOCUMENT.		DIN H MOLL 27JUL87	 TE Connectivity
DIMENSIONS: INCHES		CHK R FLIDT 28JUL87	
TOLERANCES UNLESS OTHERWISE SPECIFIED:		APVD R FLICKER 29JUL87	NAME
0 PLC ± -			HDR ASSY, MOD II, SHROUDED,
1 PLC ± -			4 SIDES, DBL ROW, .100X.100
2 PLC ± -			RIGHT ANGLE, W/ .025 SQ POSTS
3 PLC ± .005			APPLICATION SPEC
4 PLC ± -			SIZE
ANGLES ± -			CAGE CODE DRAWING NO
MATERIAL: HOUSING: PLATE RESISTANT COLOR: BRNZ	FINISH: SEE TABLE	WEIGHT: -	A1 00779 103167
CUSTOMER DRAWING		SCALE: 4:1	SHEET 1 OF 1
		REV: N4	

# Mouser Electronics

Authorized Distributor

Click to View Pricing, Inventory, Delivery & Lifecycle Information:

[TE Connectivity:](#)

[103167-2](#)