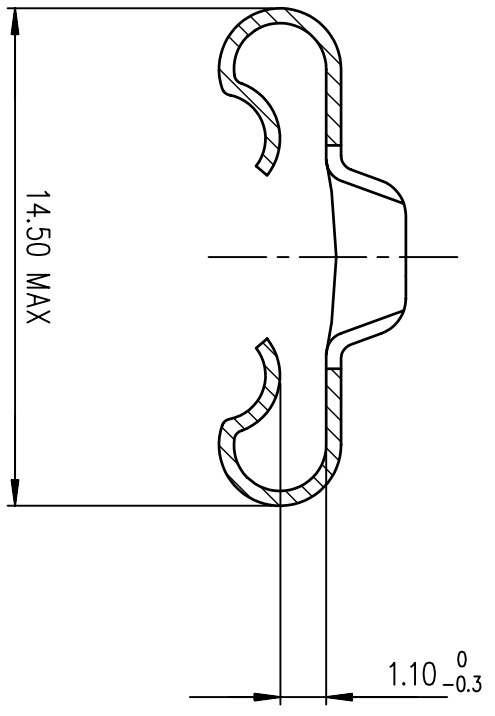
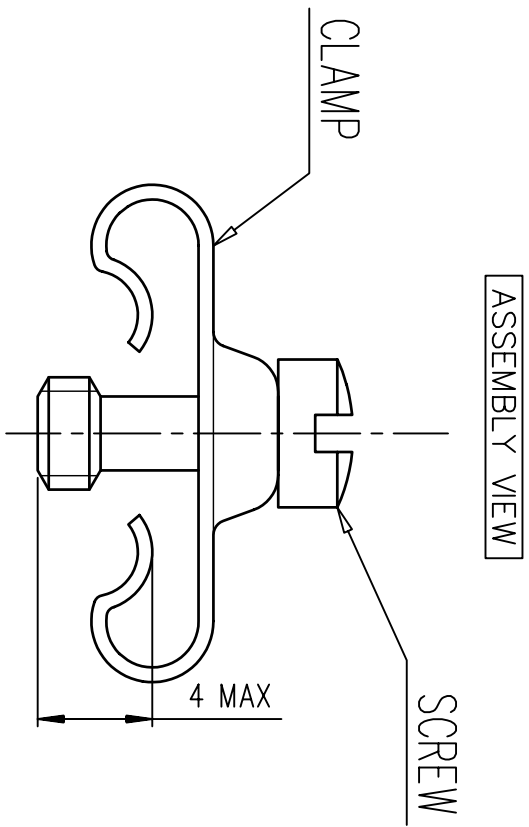
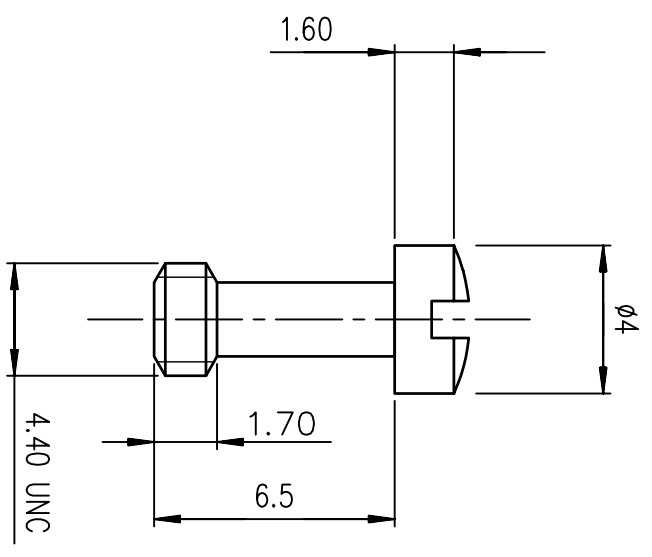


**NOTES**  
 Pieces assembly  
 Packaging : per 100 pieces  
 Material : steel  
 Plating : tin plated  
 Thread : UNC 4.40



**NOTE:ROHS INFORMATIONS**

- The "LF" products meet European union Directives and other country regulations as described in GS-22-008.
- Plating Sn (pure bright ) over copper
- Packaging spec: see GS-14-920

rev	ecn no	dr	date
A	-	JOU	2000/03/09
B	LS05-0026	MPE	2005/07/08
C	LS06-0097	LGO	2006/07/28
D	LS09-0006	PCR	2009/01/08
E	I11-0022	AMR	2011/01/25
F	ELX-H-01686	PK	2012/05/09
G	ELX-H-01686	PK	2012/05/21

Part number **863005ATLF**

www.fciconnect.com		surface	ISO 1302	tolerance std	ISO 406 ISO 1101	projection	mm
TOLERANCES UNLESS OTHERWISE SPECIFIED		ANGULAR	0.X	±0.1	size	A3	Scale
LINEAR		0.XX	0.XXX	±0.1	ECN	ELX-H-011686	5
Product family		0.XX ±2	0.XXX	±0.1	Spec ref	-	
Dr	JOUBERT	2000/03/09					
Eng	PESSON	2000/03/09					
Chr	ABHILASH	2011/01/25					
Appr	SUDHIR	2011/01/25					
MALE SCREWLOCK FOR HOUSINGS							
9 TO 25 Pts (P ET S)							
C01-8655-1535							
CUSTOMER							
sheet 1 of 1							

# Mouser Electronics

Authorized Distributor

Click to View Pricing, Inventory, Delivery & Lifecycle Information:

[FCI / Amphenol:](#)

[863005ATLF](#)