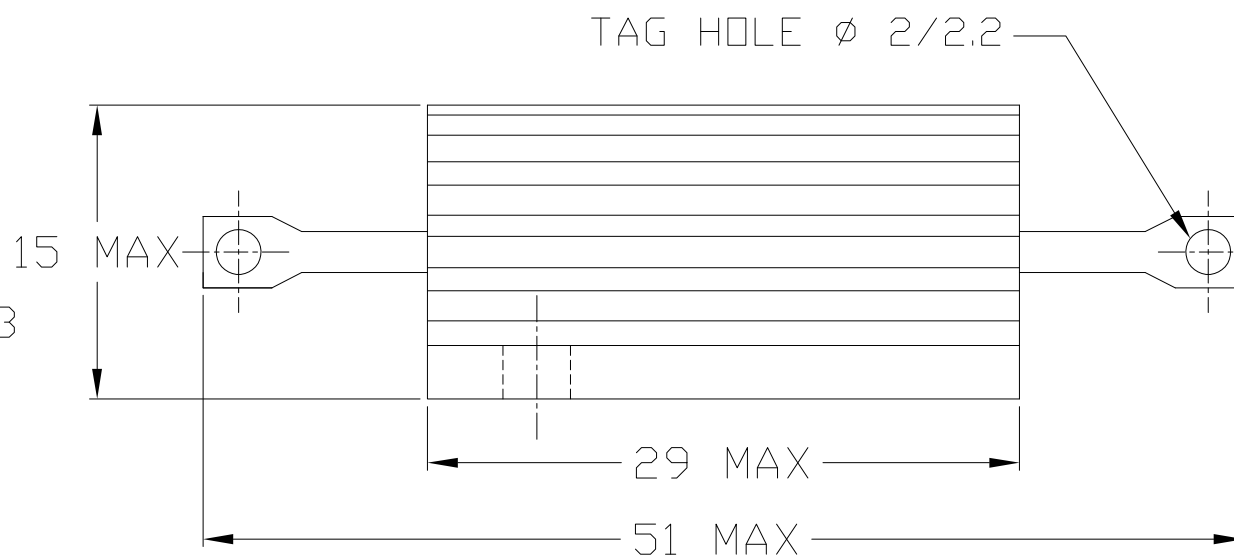
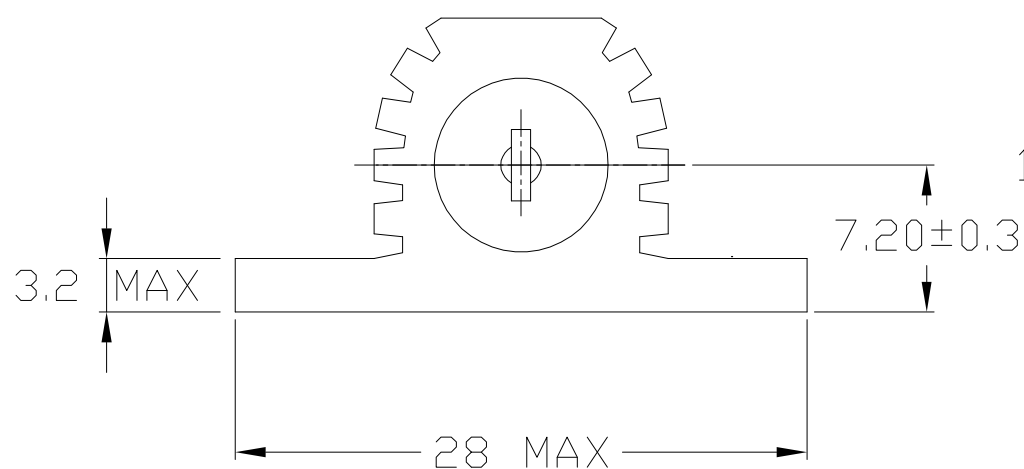
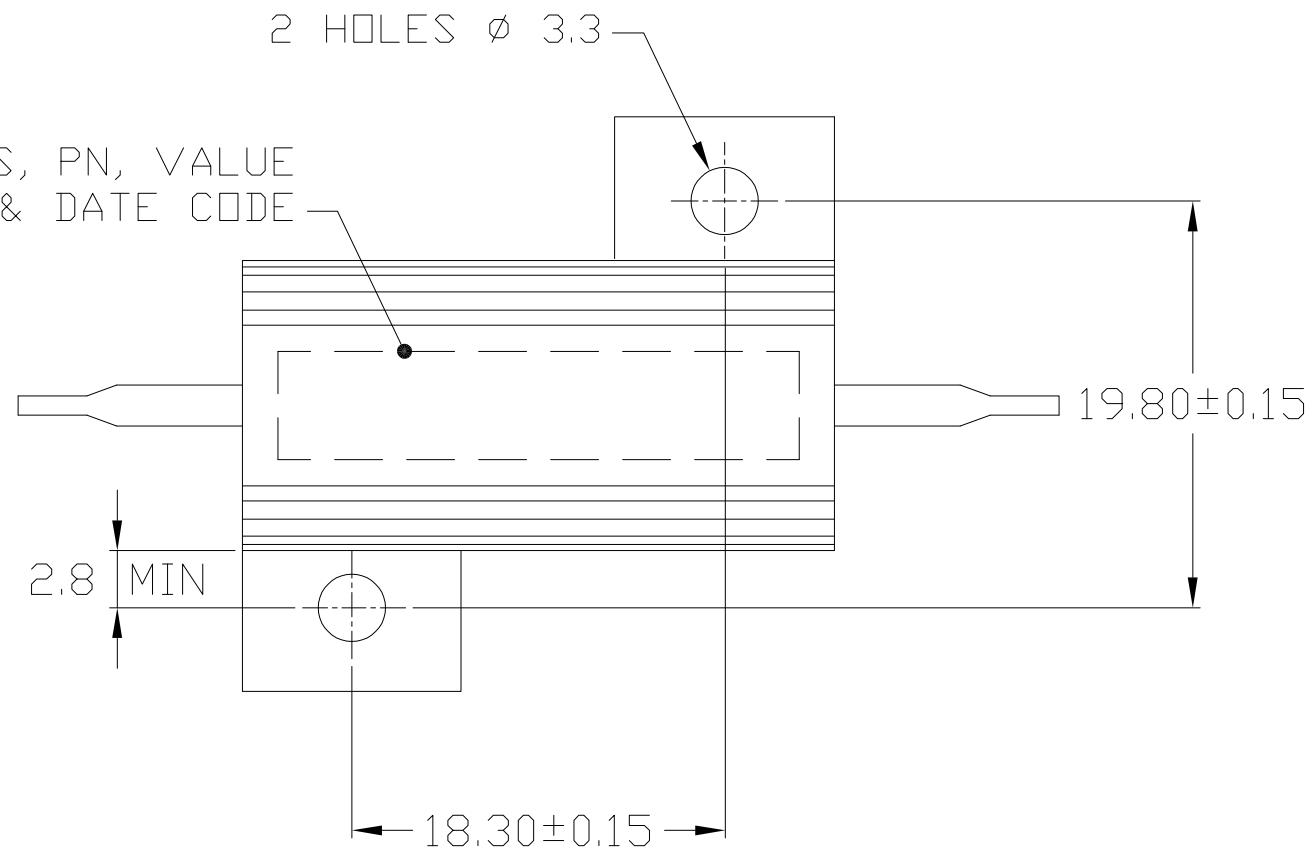


LOC	DIST	REVISIONS					
		P	LTR	DESCRIPTION	DATE	DWN	APVD
E	B		A1	REVISED PER ECO-11-005150	21MAR11	RK	HMR

TECHNICAL SPECIFICATION

DISSIPATION AT 25° C 25 WATTS MOUNTED ON STD HEATSINK
 BS OHMIC RANGE R01 TO 20K
 STABILITY ΔR ≤1% per 1000hrs
 ISOLATION VOLTAGE 2500V DC/AC pk
 MAX WORKING VOLTAGE 550V DC/AC rms
 TEMP COEFFICIENT <100R ±50ppm/°C
 >100R ±30ppm/°C
 CLIMATIC CATAGORY 55/200/56

TYCO, CGS, PN, VALUE
 TOLERANCE & DATE CODE



FOR A SPECIFIC PN FOR A RESISTANCE VALUE AND TOLERANCE, PLEASE REFER TO DMF.

RoHS Compliant

THIS DRAWING IS A CONTROLLED DOCUMENT.		DWN R BLANCH 19SEPT06	STE TE Connectivity	
DIMENSIONS: mm		CHK J CATCHPOLE 19SEPT06		
TOLERANCES UNLESS OTHERWISE SPECIFIED:		APVD J CATCHPOLE 19SEPT06	NAME THS25 METAL CLAD RESISTOR	
0 PLC ± 0.5		PRODUCT SPEC	-	
1 PLC ± 0.2		APPLICATION SPEC	-	
2 PLC ± 0.1		WEIGHT -	SIZE A3	CAGE CODE 00779
3 PLC ± -		MATERIAL -	DRAWING NO C-1879075	RESTRICTED TO -
4 PLC ± -			CUSTOMER DRAWING	
ANGLES ± 5°		SCALE NTS		SHEET 1 OF 1
FINISH -		REV A1		

Mouser Electronics

Authorized Distributor

Click to View Pricing, Inventory, Delivery & Lifecycle Information:

[TE Connectivity:](#)

[THS25R50J](#)