

THIS DRAWING IS UNPUBLISHED.

RELEASED FOR PUBLICATION

ALL RIGHTS RESERVED.

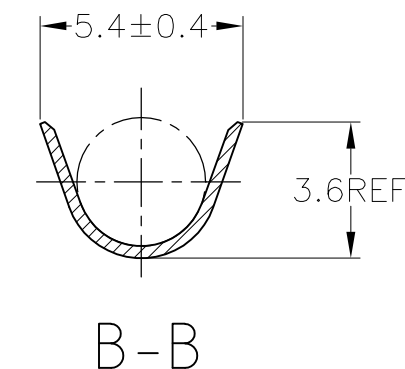
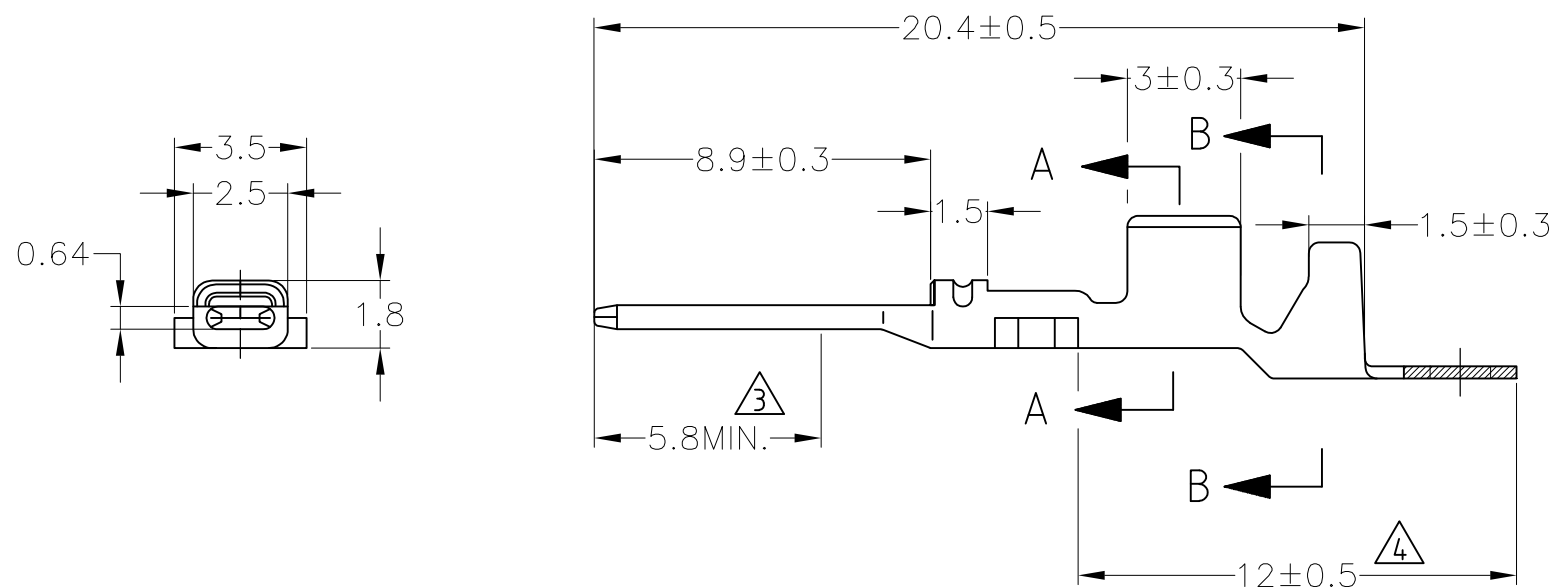
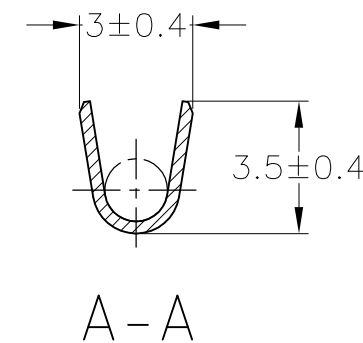
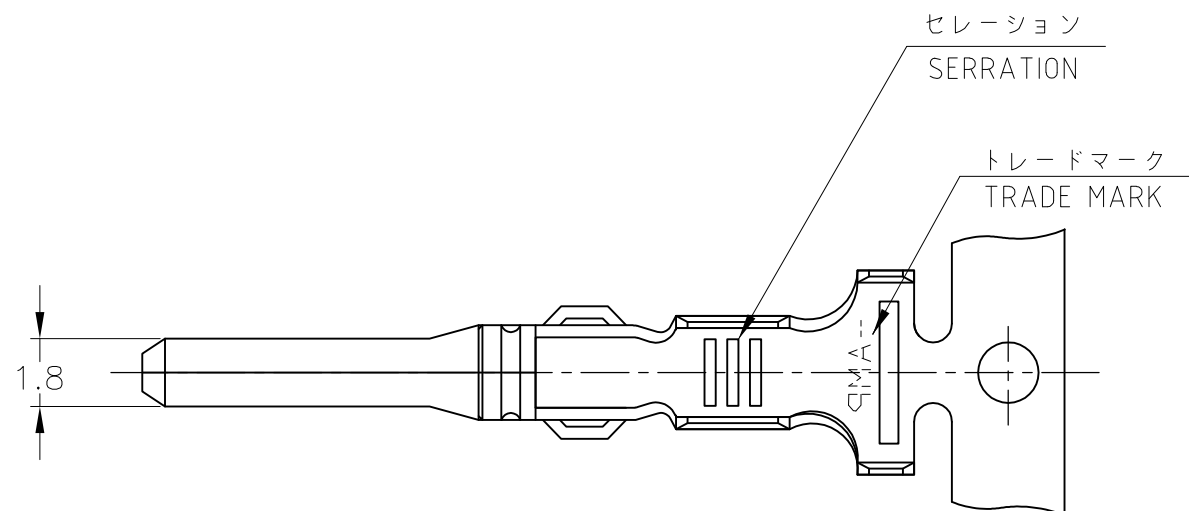
© COPYRIGHT - By -

LOC J

DIST -

REVISIONS

P	LTR	DESCRIPTION	DATE	DWN	APVD
	E2	REVISED PER ECO-11-005140	28MAR11	RK	HMR



- 1. 嵌合相手端子型番 : 171662
- 2. バラ状端子型番 : 173706

- 1. RECEPTACLE CONTACT PN: 171662
- 2. L/P CONTACT PN 173706

△3 SELECTIVE GOLD 部分金めっき	△4 SELECTIVE TIN 部分錫めっき	BRASS 黄銅 板厚 0.32	171661-5	3
△3 SELECTIVE GOLD 部分金めっき		BRASS 黄銅 板厚 0.32	171661-2	2
		BRASS 黄銅 板厚 0.32	171661-1	1
PRE-TIN (0.76 μm MIN.) 錫めっき済				
FINISH 仕上		MATERIAL 材料	PN 型番	ITEM No. 項番

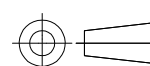
WIRE RANGE  
抱合電線断面積  
0.5-1.25mm<sup>2</sup> (AWG #20-#16)

INSULATION DIA  
被覆外径  
2-2.6

THIS DRAWING IS A CONTROLLED DOCUMENT.

DIMENSIONS:  
単位: 耗  
mm

TOLERANCES UNLESS  
OTHERWISE SPECIFIED:  
一般公差



0 PLC	± -
1 PLC	± -
2 PLC	± -
3 PLC	± -
4 PLC	± -
ANGLES	± -

MATERIAL  
材料

SEE TABLE  
表参照

FINISH  
仕上

SEE TABLE  
表参照

一般公差 (GENERAL TOLERANCE)	
10以下	± 0.2
10を越え 30以下	± 0.25
30を越え 100以下	± 0.3
角度	± 3°

DWN	T.SHINOHARA	27JUN01
CHK	K.BETSUI	27JUN01
APVD	K.BETSUI	27JUN01
PRODUCT SPEC	製品規格	
APPLICATION SPEC	取付適用規格	
	114-5082	
WEIGHT	0.35 g	

TE Connectivity			NAME 名称	
			ECONOSEAL J-MARKII CONNECTOR TAB CONTACT	
SIZE	CAGE CODE	DRAWING NO 番号	RESTRICTED TO	
A3	00779	C-171661	-	

CUSTOMER DRAWING

SCALE  
尺度 5:1

SHEET  
1 OF 1

REV  
E2

# Mouser Electronics

Authorized Distributor

Click to View Pricing, Inventory, Delivery & Lifecycle Information:

[TE Connectivity:](#)

[171661-1](#) [171661-1 \(Cut Strip\)](#) [171661-1 \(Mouser Reel\)](#)