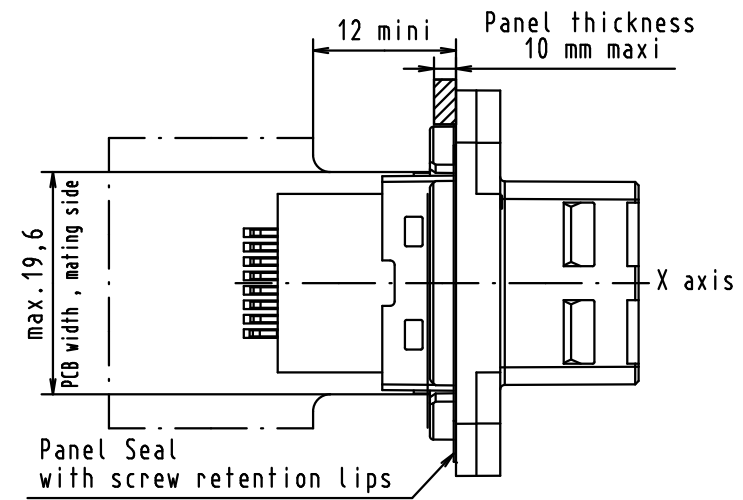
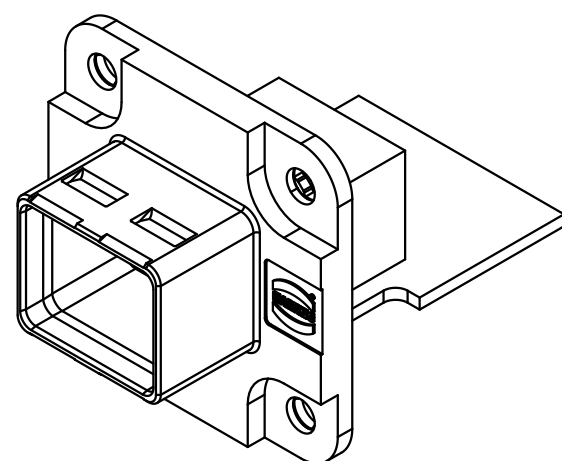
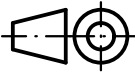



Panel cutting

Connector pitches on panel = 35 mm
 Receptacle mating face according to IEC 61076-3-106 - variant 04
 Jack A and B references according to IEC 60603-7
 Position dimensions for Harting SMD jack P/N 09 45 551 1100/1110
 PCB Layout see TB 09 45 551 1100
 Screwing by x4 M3 screws with flat washer
 Recommended screwing torque for IP67:0,5 N.m mini



			Dat.	Name	 All Dim. in mm Orig. Size DIN A 4	HARTING Push Pull Metal RJ45 EasyInstall IP65/IP67 Panel Feed Through with position dimension of Harting angled SMD jack P/N 09 45 551 1100/1110	Maßstab/ Scale 1,5/1
		Detail.	10/03/10	BD			
		Insp.					
		Stand.					
36071	12/04/10	BD	HARTING EURL F-95972 Paris			TB 09 45 595 0030	Blatt/ Page 1/2
Mod.	Dat.	Name				Sub.	

Mouser Electronics

Authorized Distributor

Click to View Pricing, Inventory, Delivery & Lifecycle Information:

[HARTING:](#)

[09455950030](#)