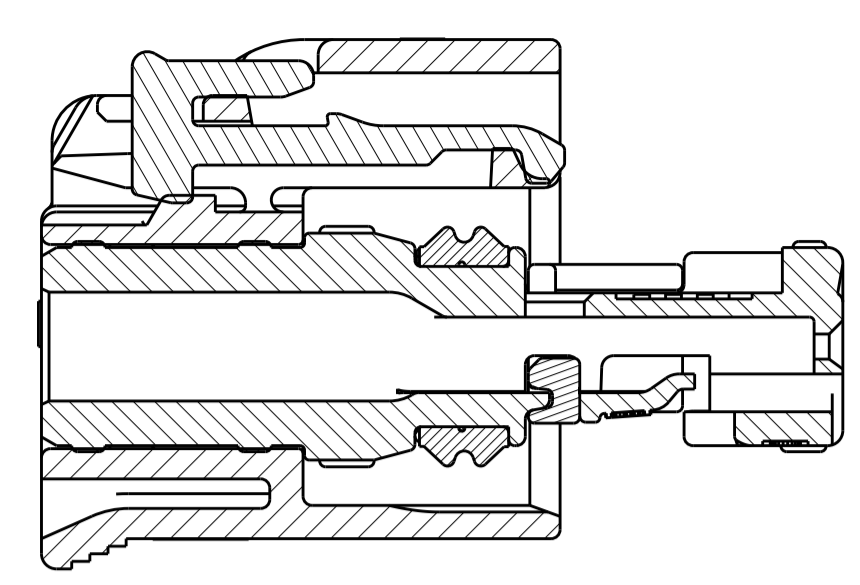
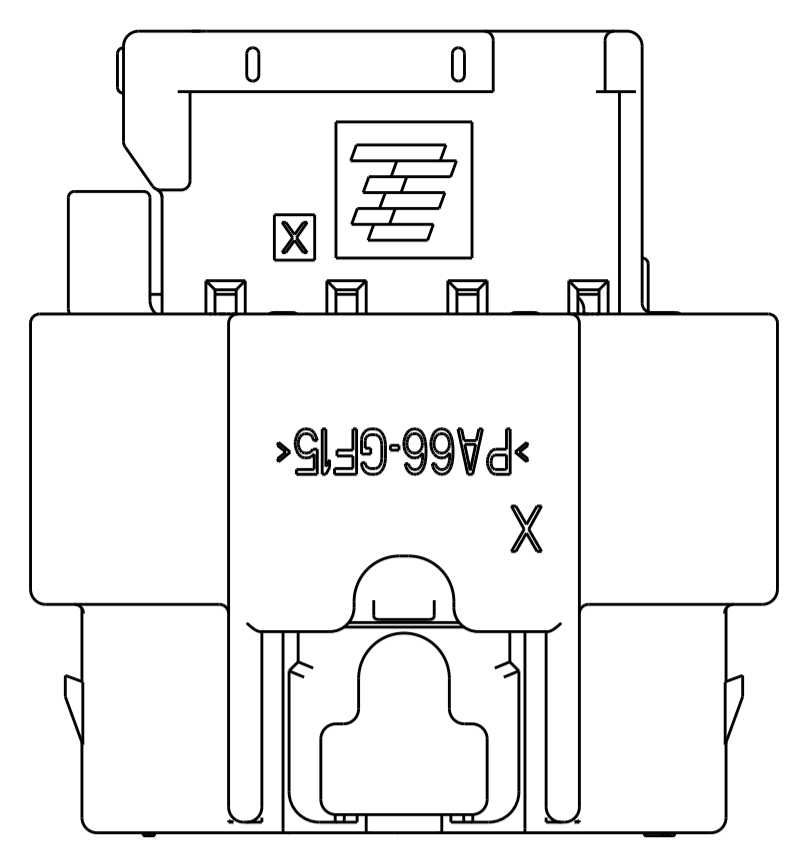
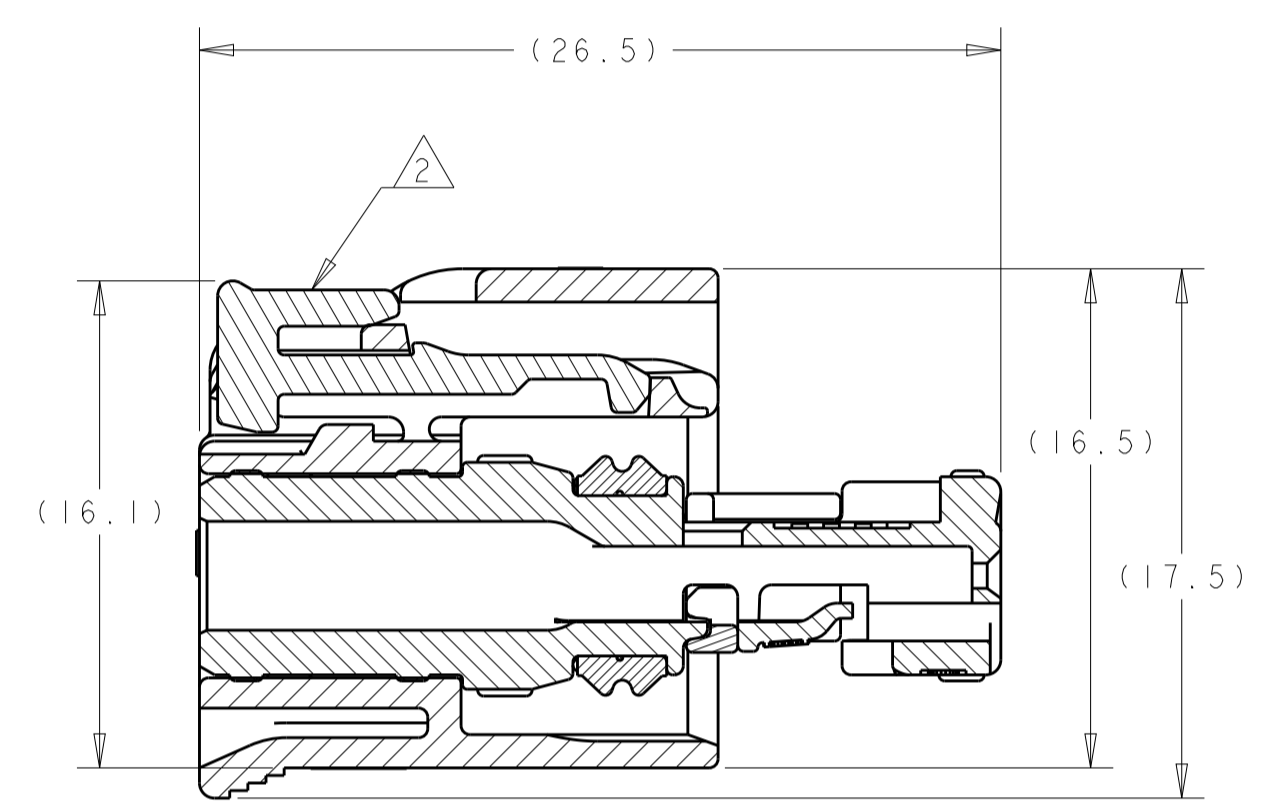


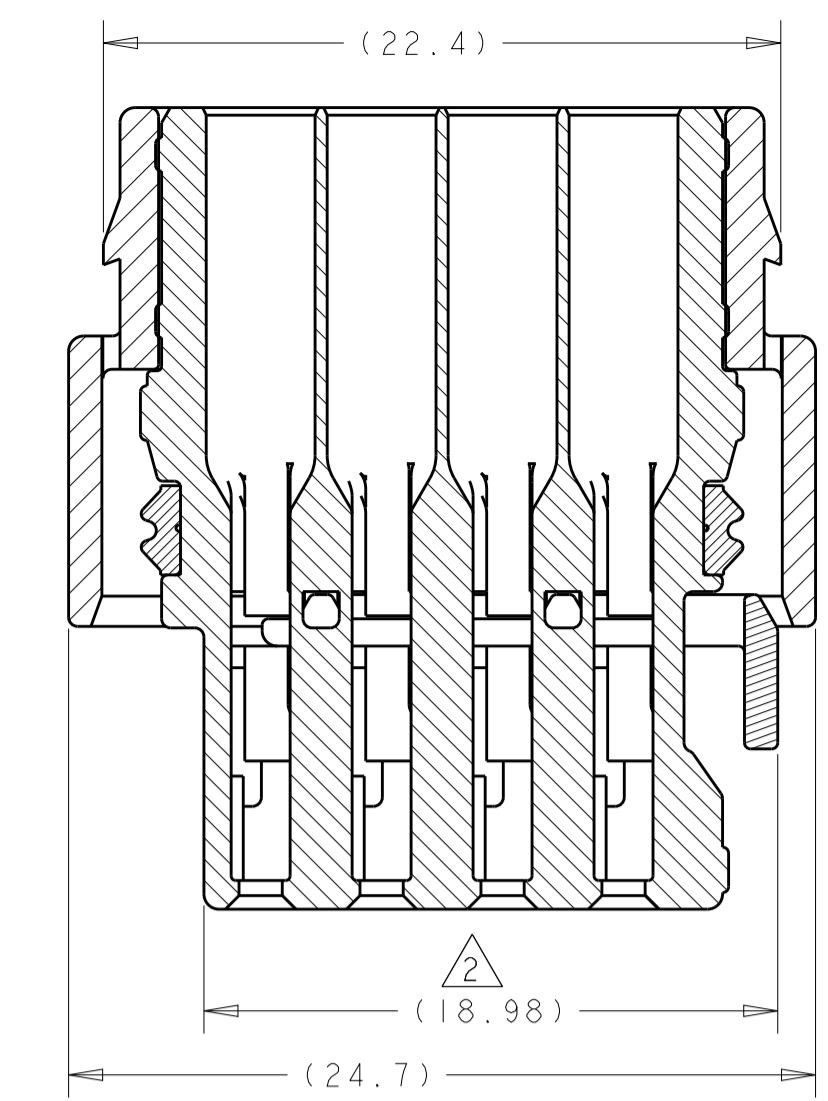
ISOMETRIC VIEWS  
SCALE 3:1



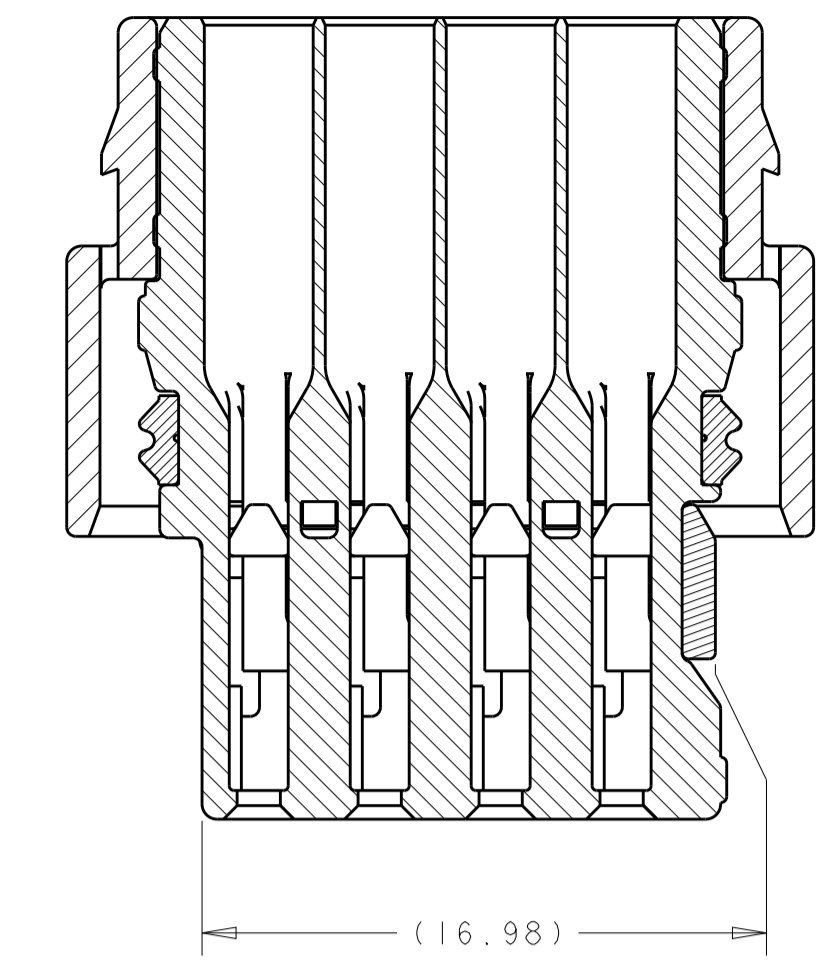
SECTION B-B  
SHOWN WITH CPA (WHEN APPLICABLE)  
IN ITS LATCHED POSITION  
FOR REFERENCE ONLY



SECTION B-B

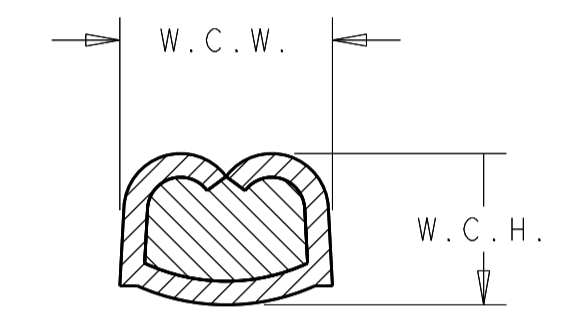
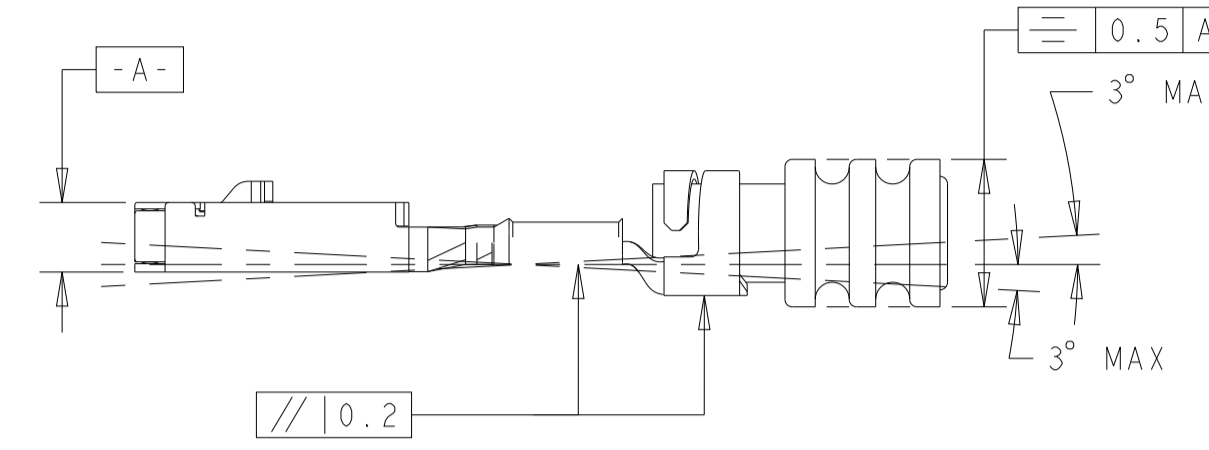
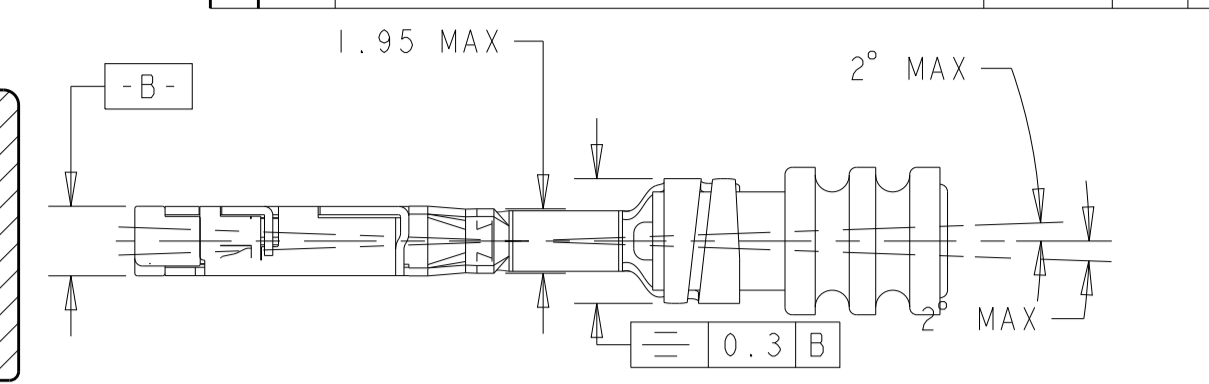


SECTION A-A

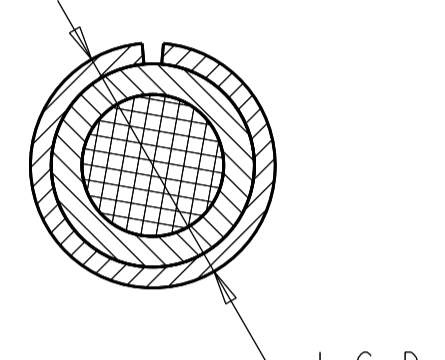


SECTION A-A

SHOWN WITH TPA  
IN ITS LATCHED POSITION  
FOR REFERENCE ONLY



WIRE CRIMP  
DIMENSIONS

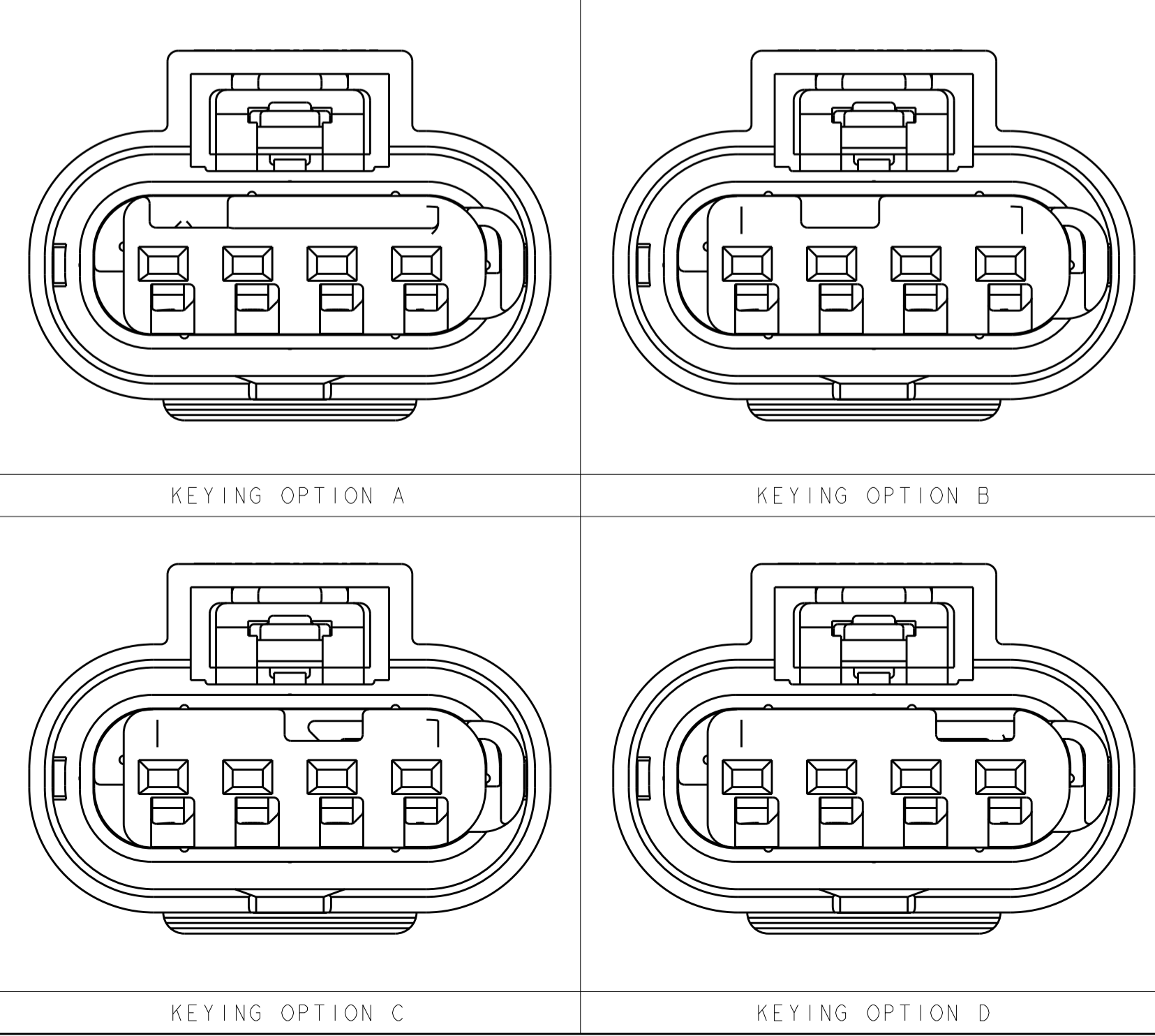


INSULATION CRIMP  
DIMENSIONS

REVISIONS				
P. LTM	DESCRIPTION	DATE	OWN	APPR
B2	REVISED PER ECO-12-011336	19JUN2012	DLD	SLM
B3	REVISED PER ECO-14-014610	26SEP2014	DLD	SLM
B4	REVISED PER ECO-15-014533	08OCT2015	DLD	SLM

MAX TEMP	FEMALE TERMINAL PN	TERMINAL PLATING	AWG	APPLICABLE WIRE FINISHED O.D.	W.C.H.	W.C.W.	I.C.D.	WIRE SEAL PART NUMBER
125C	1670146-1	TIN	20	1.40 - 1.90mm	0.84 ±0.03	1.57 ±0.05	3.25 ±0.05	967067-1
125C	1670146-2	GOLD	20	1.40 - 1.90mm	0.84 ±0.03	1.57 ±0.05	3.25 ±0.05	967067-1
125C	1670146-3	SILVER	20	1.40 - 1.90mm	0.84 ±0.03	1.57 ±0.05	3.25 ±0.05	967067-1
125C	1418850-1	TIN	18	1.90 - 2.40mm	1.11 ±0.05	1.78 ±0.05	3.35 ±0.05	964972-1
125C	1418850-1	TIN	16	1.90 - 2.40mm	1.31 ±0.05	1.78 ±0.05	3.35 ±0.05	964972-1
125C	1418850-2	GOLD	18	1.90 - 2.40mm	1.11 ±0.05	1.78 ±0.05	3.35 ±0.05	964972-1
125C	1418850-2	GOLD	16	1.90 - 2.40mm	1.31 ±0.05	1.78 ±0.05	3.35 ±0.05	964972-1
125C	1418850-3	SILVER	18	1.90 - 2.40mm	1.11 ±0.05	1.78 ±0.05	3.35 ±0.05	964972-1
125C	1418850-3	SILVER	16	1.90 - 2.40mm	1.31 ±0.05	1.78 ±0.05	3.35 ±0.05	964972-1
150C	1670146-2	GOLD	20	1.40 - 1.90mm	0.84 ±0.03	1.57 ±0.05		2098582-1
150C	1670146-3	SILVER	20	1.40 - 1.90mm	0.84 ±0.03	1.57 ±0.05		2098582-1
150C	1418850-2	GOLD	18	1.40 - 1.90mm	1.11 ±0.05	1.78 ±0.05		2098582-1
150C	1418850-2	GOLD	16	1.40 - 1.90mm	1.31 ±0.05	1.78 ±0.05		2098582-1
150C	1418850-3	SILVER	18	1.40 - 1.90mm	1.11 ±0.05	1.78 ±0.05		2098582-1
150C	1418850-3	SILVER	16	1.40 - 1.90mm	1.31 ±0.05	1.78 ±0.05		2098582-1

KEYING CONFIGURATIONS



KEYING OPTION A

KEYING OPTION B

KEYING OPTION C

KEYING OPTION D

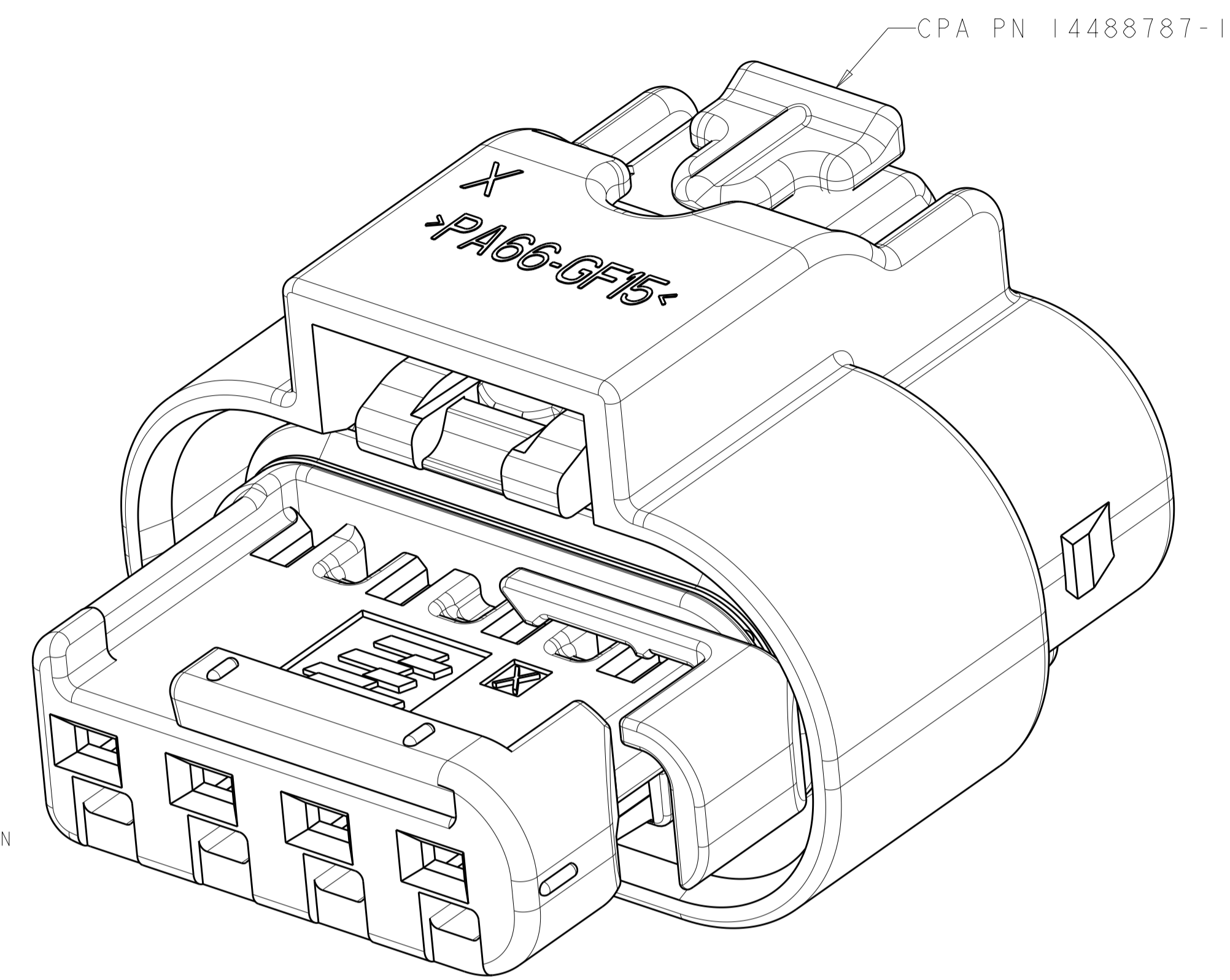
- PART NUMBER 1-1456426-5 SHOWN ON DRAWING.
- TPA AND CPA (WHEN APPLICABLE) ARE SHIPPED IN THEIR PRE-LATCHED POSITIONS. SEE INSTRUCTION SHEET 408-8968 FOR DIRECTIONS ON MOVING THE CPA AND TPA TO THE PRE-LATCHED POSITION, IF NECESSARY.
- TERMINALS SOLD SEPARATELY. FOR USE WITH TE MCON 1.2mm CLEAN BODY CONTACT WITH WIRE SEAL. SEE TE MCON 1.2-CB (CLEAN BODY) TABLE FOR APPLICABLE PART NUMBERS.
- APPLICABLE HEADER INTERFACE DRAWING 114-18679-3 IS AVAILABLE UPON REQUEST. A COPY OF THIS DRAWING CAN BE OBTAINED FROM THE TE CONNECTIVITY PRODUCT MANAGER, VIA YOUR TE CONNECTIVITY SALES REPRESENTATIVE OR CUSTOMER SERVICE.
- MINIMUM FEED THROUGH CONDITION WITH 1.0mm CLEARANCE ALL AROUND.
- NOTE LEFT BLANK INTENTIONALLY
- TRACEABILITY CODE (YY = TWO DIGIT YEAR, JJJ = 3 DIGIT JULIAN DAY, S = 1 DIGIT SHIFT) AND TE ASSEMBLY PART NUMBER PRINTED IN THIS LOCATION AT ASSEMBLY.
- FOR OPTIONAL TERMINAL CAVITY BLOCKING, USE TE CONNECTIVITY BLIND PLUG PART NUMBER 967056-1 FOR 125°C MAX TEMPERATURE.
- PROTOTYPE CONFIGURATION NOT SHOWN.
- PROTOTYPE ASSEMBLIES USE GERMAN OUTER HOUSING P/N: 1718657-1, CPA P/N: 1670193-1 AND SEAL P/N: 1718659-1.
- TPA ENGAGE FORCE: PRESET TO FULL >= 2 N AND <= 60 N.
- TPA DISENGAGE FORCE: DISENGAGE FROM FULL TO PRESET >= 2 N AND <= 60 N
- CPA ENGAGE FORCE: PRESET TO FULL WITHOUT CONNECTORS MATED >= 40 N.
- CPA ENGAGE FORCE: PRESET TO FULL WITH CONNECTORS MATED <30 N.
- POLARIZATION FEATURE EFFECTIVENESS:  
CONNECTOR MATED TURNED 180° NO MATING > 125 N.  
WRONG KEYING NO MATING > 125 N.
- VALIDATED UP TO USACAR-2 TEMPERATURE CLASS IV (150°C).
- SEE INSTRUCTION SHEET 408-8928.
- I.C.D IS DEPENDENT UPON WIRE INSULATION TYPE AND OD. MUST BE SUFFICIENT TO GRIP SEAL SO IT DOES NOT SLIDE OUT OF INSULATION CRIMP WHEN INSERTING INTO CONNECTOR CAVITY BUT NOT TEAR THE SEAL.
- REFERENCE ISOMETRIC VIEWS ON SHEET 2.

RELEASED	2138907-1	GRAY	D	4-1456426-4
RELEASED	2138907-1	BLUE	C	4-1456426-3
RELEASED	2138907-1	NATURAL/BROWN	B	4-1456426-2
RELEASED	2138907-1	BLACK	A	4-1456426-1
RELEASED	1488787-1	GRAY	D	1-1456426-8
RELEASED	1488787-1	BLUE	C	1-1456426-7
RELEASED	1488787-1	NATURAL/BROWN	B	1-1456426-6
RELEASED	1488787-1	BLACK	A	1-1456426-5
RELEASED	N/A	GRAY	D	1-1456426-4
RELEASED	N/A	BLUE	C	1-1456426-3
RELEASED	N/A	NATURAL/BROWN	B	1-1456426-2
RELEASED	N/A	BLACK	A	1-1456426-1
OBSOLETE				1456426-0
				1456426-7
				1456426-6
				1456426-5
				1456426-4
STATUS				1456426-3
				1456426-2
				1456426-1
				1456426-1
	CPA			
		COLOR	KEY	PART NUMBER
		INNER HOUSING		

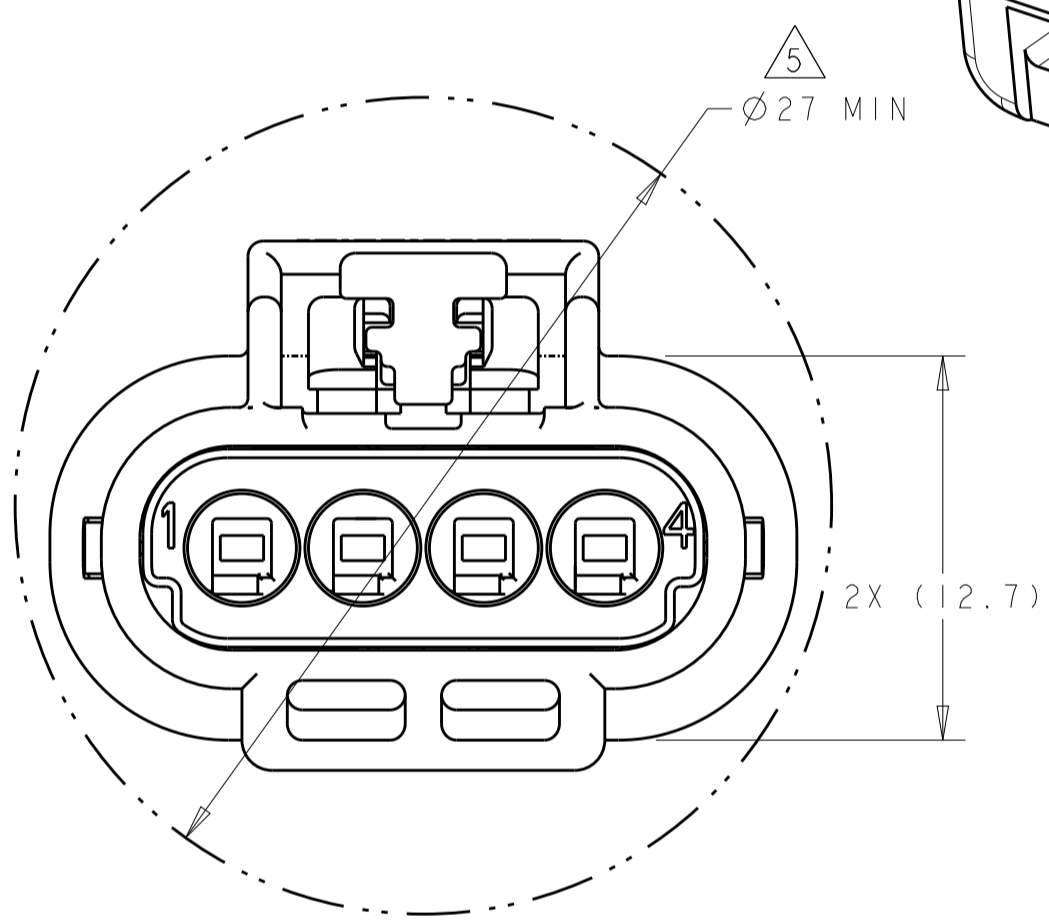
THIS DRAWING IS A CONTROLLED DOCUMENT. DIMENSIONS: mm. TOLERANCES UNLESS OTHERWISE SPECIFIED: 0 PLC ±0.3, 1 PLC ±0.10, 2 PLC ±0.15, 3 PLC ±0.2, 4 PLC ±0.25, ANGLES ±0.1°. MATERIAL: SEE TABLE. FINISH: SEE TABLE. WEIGHT: 4.3gms. CUSTOMER DRAWING. STATUS: CPA. COLOR: GRAY. KEY: D. PART NUMBER: 1456426-4. THIS DRAWING IS A CONTROLLED DOCUMENT. DWG: FORLSKA, 25SEP2006. CHK: G. MARTIN, 25SEP2006. APB: G. MARTIN, 25SEP2006. NAME: PRODUCT SPEC. APPLICATION SPEC. SIZE: CAGE CODE DRAWING NO. RESTRICTED TO: A100779. SCALE: 4:1. SHEET 1 OF 2. REV: B4.

REVISIONS				
P.	LTM	DESCRIPTION	DATE	OWN APVD
-	-	SEE SHEET 1	-	-

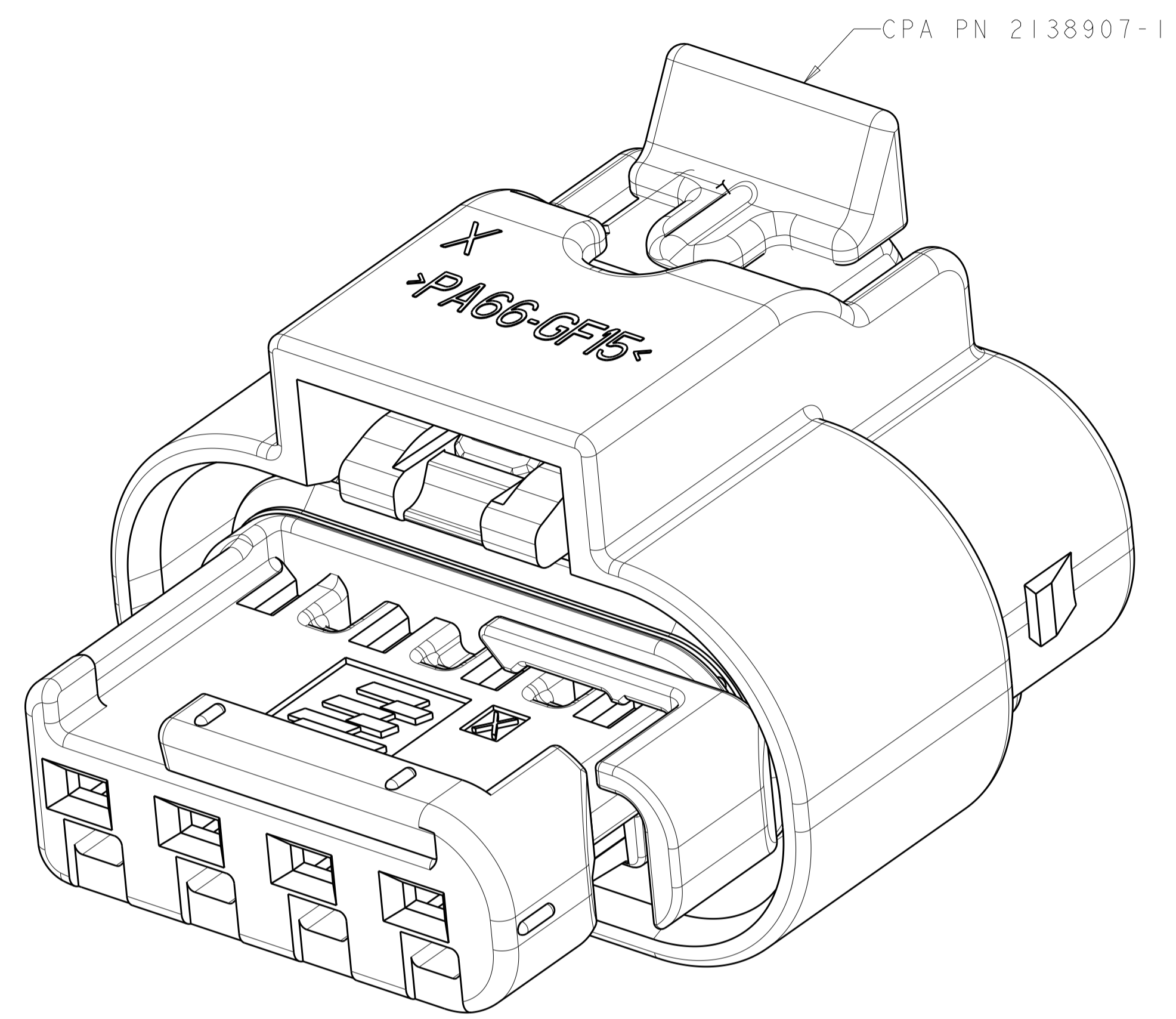
### ISOMETRIC VIEWS



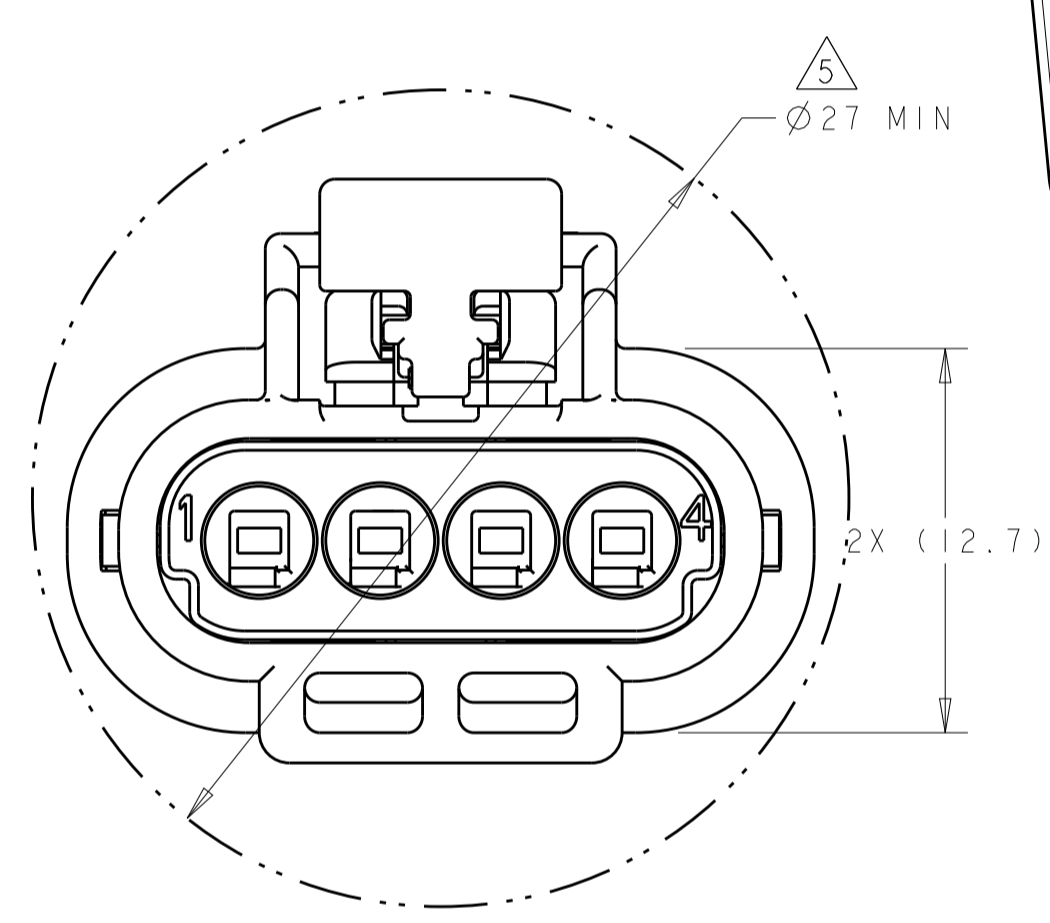
PN 1-1456426-5 SHOWN  
SCALE 8:1



FEED THROUGH CONDITION



PN 4-1456426-1 SHOWN  
SCALE 8:1



FEED THROUGH CONDITION

THIS DRAWING IS A CONTROLLED DOCUMENT.		OWN: M. FORLSKA 25SEP2006	TE Connectivity
DIMENSIONS: mm		CHK: G. MARTIN 25SEP2006	
TOLERANCES UNLESS OTHERWISE SPECIFIED:		APVD: G. MARTIN 25SEP2006	NAME: CONNECTOR ASSEMBLY, FEMALE, 4 POSITION SEALED, 1.2mm STANDARD LATCH VERSION
0 PLC	±	PRODUCT SPEC	SIZE: A100779
1 PLC	±0.3	APPLICATION SPEC	CAGE CODE: 1456426
2 PLC	±0.10	WEIGHT: 4.3gms	SCALE: 4:1
3 PLC	±	CUSTOMER DRAWING	SHEET 2 OF 2
4 PLC	±		REV: B4
ANGLES	±		
FINISH	±		
SEE TABLE	-		

# Mouser Electronics

Authorized Distributor

Click to View Pricing, Inventory, Delivery & Lifecycle Information:

[TE Connectivity:](#)

[1-1456426-1](#)