

QUARTZ CRYSTAL OSCILLATOR

■ GENERAL DESCRIPTION

The NJU6323 series is a C-MOS quartz crystal oscillator which consists of an oscillation amplifier, 3-stage divider, output frequency selector and 3-state output buffer.

The oscillation frequency is as wide as up to 50MHz and the symmetry of 45-55% is realized over full oscillation frequency range.

The oscillation amplifier incorporates feed-back resistance and oscillation capacitors(Cg, Cd), therefore, it requires no external component except quartz crystal.

The 3-stage divider outputs f_0 , $f_0/2$, $f_0/4$ and $f_0/8$ to the output frequency selector and it determined one output frequency according to the combination of two input-signal.

The 3-state output buffer is C-MOS compatible and capable of 10 LSTTL driving.

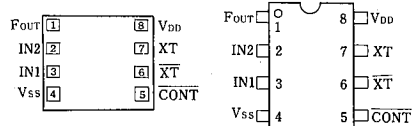
■ PACKAGE OUTLINE


NJU6323XC



NJU6323XE

4

■ PIN CONFIGURATION/PAD LOCATION

■ FEATURES

- Operating Voltage -- 3.0~6.0V
- Maximum Oscillation Frequency -- 50MHz
- Low Operating Current
- High Fan-out -- LSTTL 10
- 3-state Output Buffer
- Selected Frequency Output (mask option)
Only one frequency out of f_0 , $f_0/2$, $f_0/4$ and $f_0/8$ output
- Oscillation Capacitors Cg and Cd on-chip
- Oscillation and/or Output Stand-by Function
- Package Outline -- CHIP/EMP 8
- C-MOS Technology

■ COORDINATES

 Unit: μm

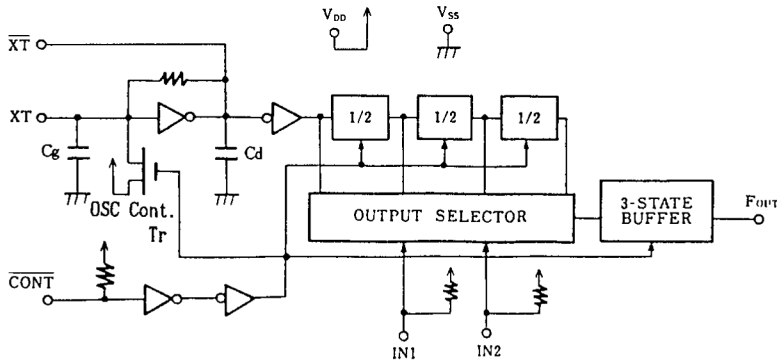
No.	PAD	X	Y
1	F _{OUT}	165	651
2	IN ₂	165	484
3	IN ₁	165	317
4	V _{SS}	165	149
5	CONT	1113	149
6	XT	1113	317
7	XT	1113	484
8	V _{DD}	1113	651

Chip Size : 1.28 X 0.8mm

 Chip Thickness : 400 μm ±30 μm
■ LINE-UP TABLE

Type No.	Cg	Cd	Osc.Stop Function
NJU6323	21pF	23pF	Yes
NJU6323J	21pF	No	Yes
NJU6323P	No	No	Yes

■ BLOCK DIAGRAM



■ TERMINAL DESCRIPTION

NO.	SYMBOL	F U N C T I O N			
5	$\overline{\text{CONT}}$	Oscillation Stop Control and Divider Reset			
		$\overline{\text{CONT}}$ F_{OUT}			
		H Output either one frequency from f_0 , $f_0/2$, $f_0/4$, and $f_0/8$			
		L Oscillation Stop, Output High Impedance and Divider Reset			
6	$\overline{\text{XT}}$	Quartz Crystal Connecting Terminals			
7	XT				
8	V_{DD}	+ 5V			
3	IN1	3-Stage Divider Outputs Selected by IN1 and IN2			
2	IN2		IN1	IN2	F_{OUT}
			H	H	f_0
			L	H	$f_0/2$
			H	L	$f_0/4$
L	L	$f_0/8$			
1	F_{OUT}	Output either one frequency from f_0 , $f_0/2$, $f_0/4$, and $f_0/8$			
4	V_{SS}	GND			

■ ABSOLUTE MAXIMUM RATINGS

 ($T_a=25^\circ\text{C}$)

PARAMETER	SYMBOL	RATINGS	UNIT
Supply Voltage	V_{DD}	-0.5 ~ +7.0	V
Input Voltage	V_{IN}	-0.5 ~ $V_{\text{DD}}+0.5$	V
Output Voltage	V_o	-0.5 ~ $V_{\text{DD}}+0.5$	V
Input Current	I_{IN}	± 10	mA
Output Current	I_o	± 25	mA
Power Dissipation (EMP)	P_D	200	mW
Operating Temperature Range	T_{opr}	-40 ~ + 85	$^\circ\text{C}$
Storage Temperature Range	T_{stg}	-65 ~ +150	$^\circ\text{C}$

(Note) Decoupling capacitor should be connected between V_{DD} and V_{SS} due to the stabilized operation for the circuit.

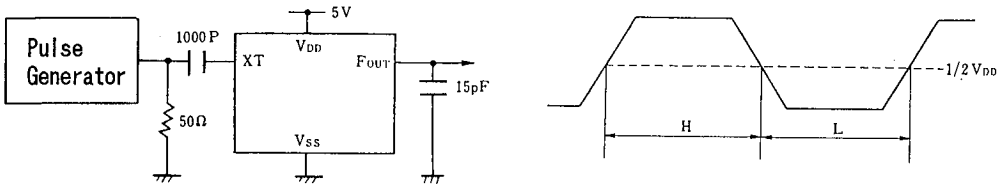
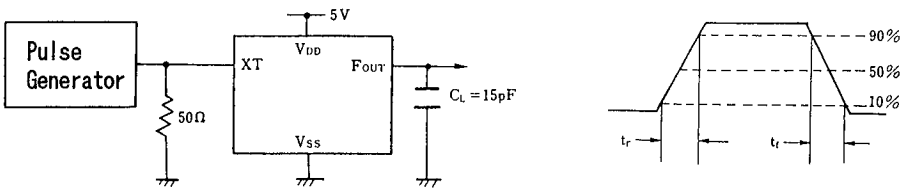
ELECTRICAL CHARACTERISTICS

 ($T_a=25^{\circ}\text{C}$, $V_{DD}=5\text{V}$)

PARAMETER	SYMBOL	CONDITIONS	MIN	TYP	MAX	UNIT
Operating Voltage	V_{DD}		3		6	V
Operating Current	I_{DD}	fosc=16MHz, No load			10	mA
Stand-by Current	I_{st}	CONT, XT= V_{SS} , No load (Note)			1	μA
Input Voltage	V_{IH}		3.5		5.0	V
	V_{IL}		0		1.5	
Output Current	I_{OH}	$V_{DD}=5\text{V}$, $V_{OH}=4.5\text{V}$	4			mA
	I_{OL}	$V_{DD}=5\text{V}$, $V_{OL}=0.5\text{V}$	4			
Input Current	I_{IN}	CONT, IN1, IN2 Terminals CONT, IN1, IN2= V_{SS}			400	μA
Internal Capacitor	C_g	Refer to Line-Up Table.				pF
	C_d					
Max. Oscillation Freq.	f_{MAX}	$V_{DD}=5\text{V}$, $C_L=15\text{pF}$	50			MHz
Output Signal Symmetry	SYM	$V_{DD}=5\text{V}$, $C_L=15\text{pF}$ at $1/2V_{DD}$	45	50	55	%
Output Signal Rise Time	t_r	$V_{DD}=5\text{V}$, $C_L=15\text{pF}$, 10% - 90%			8	ns
Output Signal Fall Time	t_f	$V_{DD}=5\text{V}$, $C_L=15\text{pF}$, 90% - 10%			8	ns

Note) Excluding input current on CONT terminal.

4
MEASUREMENT CIRCUITS

 (1) Output Signal Symmetry ($C_L=15\text{pF}$)

 (2) Output Signal Rise/Fall Time ($C_L=15\text{pF}$)


NJU6323 Series

MEMO

[CAUTION]

The specifications on this databook are only given for information, without any guarantee as regards either mistakes or omissions. The application circuits in this databook are described only to show representative usages of the product and not intended for the guarantee or permission of any right including the industrial rights.

Mouser Electronics

Authorized Distributor

Click to View Pricing, Inventory, Delivery & Lifecycle Information:

[NJR:](#)

[NJU6323E-TE1](#) [NJU6323PC](#) [NJU6323JC](#) [NJU6323C](#) [NJU6323E](#) [NJU6323E-T1](#) [NJU#6323E-TE1](#)