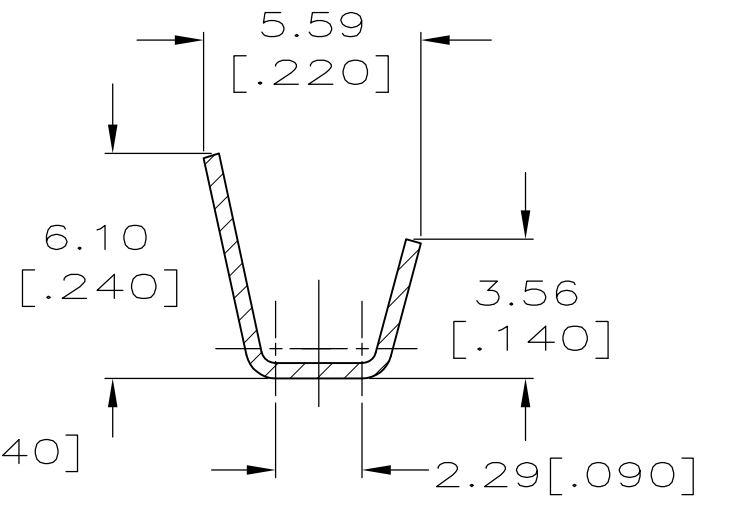
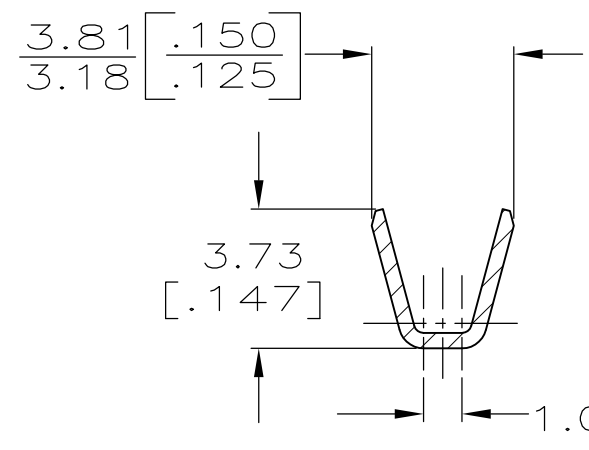
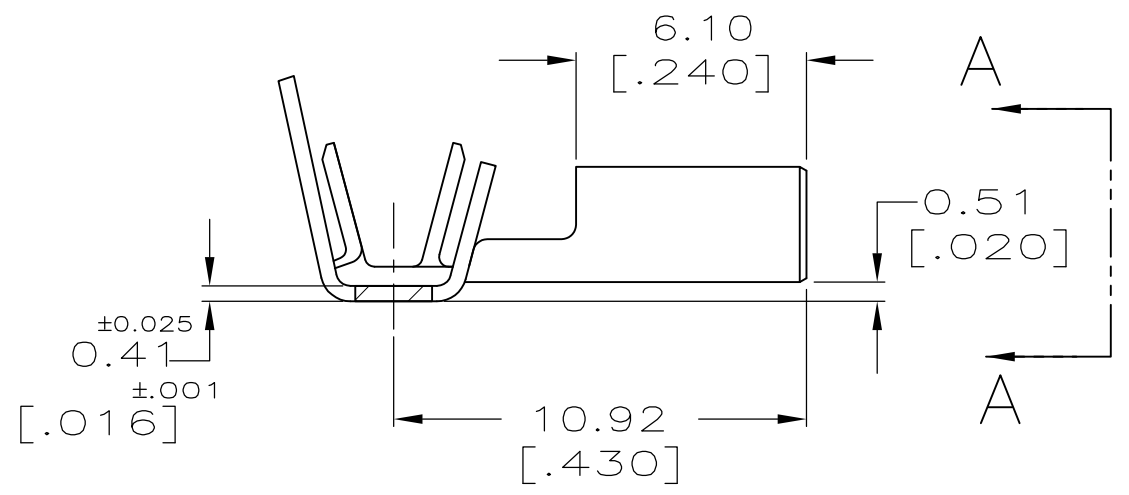
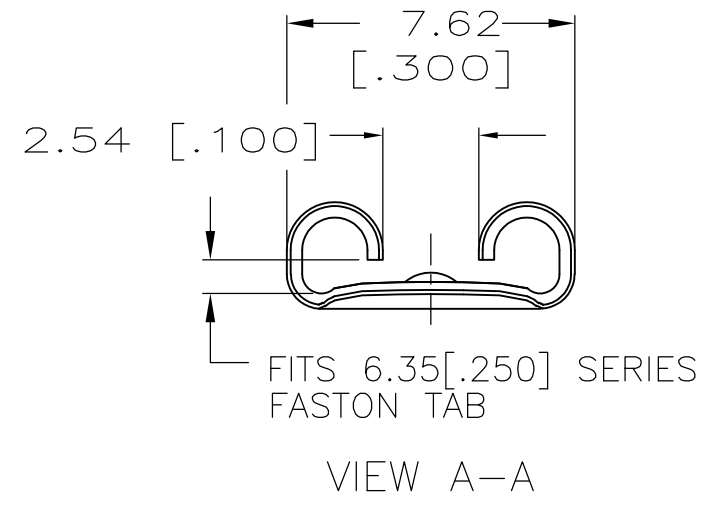
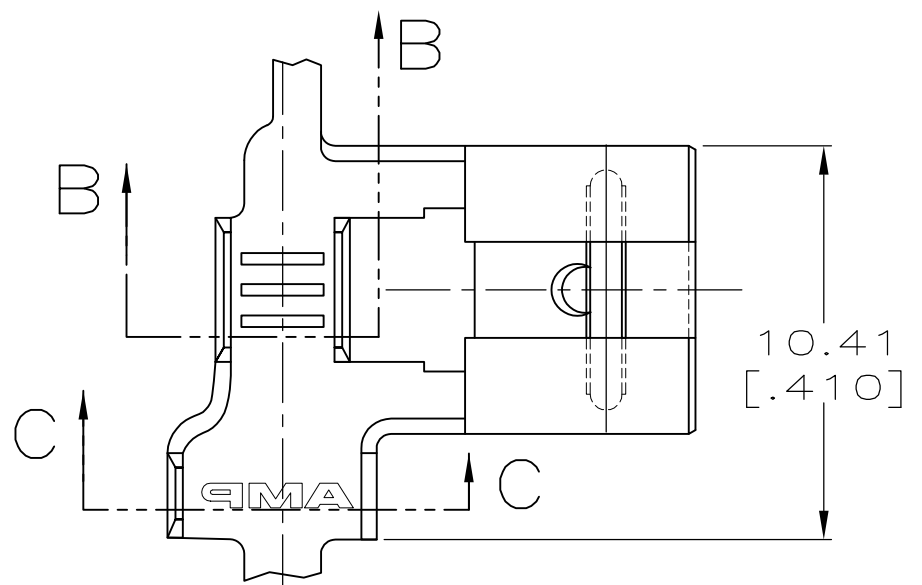


THIS DRAWING IS UNPUBLISHED. RELEASED FOR PUBLICATION
 © COPYRIGHT - By - ALL RIGHTS RESERVED.

LOC	DIST	REVISIONS					
AF	50	P	LTR	DESCRIPTION	DATE	DWN	APVD
			H1	REVISED PER ECO-15-000201	07JAN15	JR	DH

1 CONTINUOUS STRIP ON REELS.



TIN	2.79-4.06 [.110-.160] DIA	0.8-2.0mm ² [18-14] AWG	0.81 [.032]	63010-2 63010-1
FINISH	INSUL RANGE	WIRE SIZE	MATING TAB THK ±0.025[.001]	PART NO

THIS DRAWING IS A CONTROLLED DOCUMENT.		DWN JR RUTH 4/9/91	TE Connectivity NAME RECEPTACLE, FASTON, FLAG, 6.35 [.250] SERIES			
DIMENSIONS: mm [INCHES]		CHK MS FEHER 4/9/91				
TOLERANCES UNLESS OTHERWISE SPECIFIED:		APVD C MEYERS 4/9/91	PRODUCT SPEC			
0 PLC ± - 1 PLC ± - 2 PLC ± - 3 PLC ± 0.38 [.015] 4 PLC ± - ANGLES ± -		APPLICATION SPEC	RESTRICTED TO			
MATERIAL BRASS		FINISH SEE TABLE	WEIGHT -	SIZE A3	CAGE CODE 00779	DRAWING NO C-63010
CUSTOMER DRAWING			SCALE 5:1	SHEET 1 OF 1	REV H1	

Mouser Electronics

Authorized Distributor

Click to View Pricing, Inventory, Delivery & Lifecycle Information:

[TE Connectivity:](#)

[63010-1](#)