

4

3

2

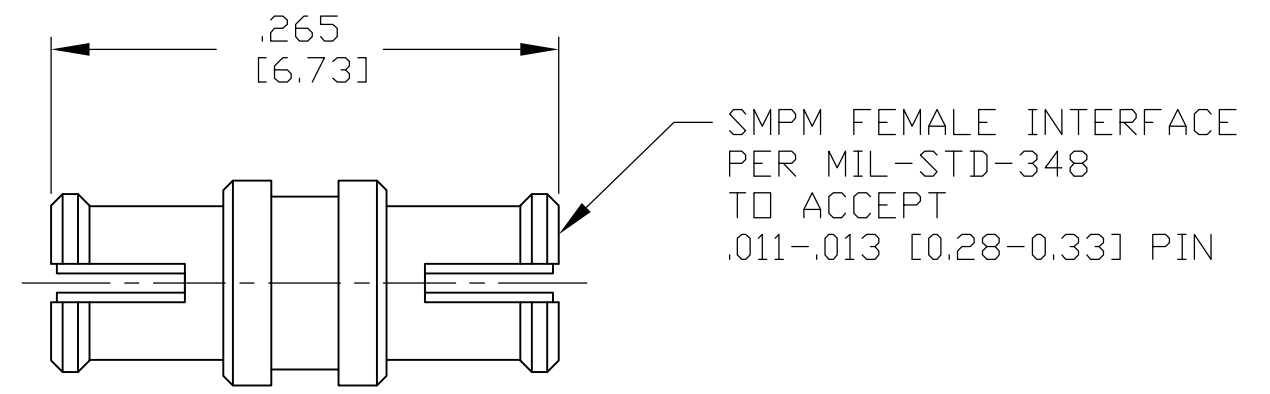
1

THIS DRAWING IS UNPUBLISHED. RELEASED FOR PUBLICATION - ,N/A .
 © COPYRIGHT N/A BY TYCO ELECTRONICS CORPORATION. ALL RIGHTS RESERVED.

LOC	DIST	REVISIONS					
DF	XO	P	LTR	DESCRIPTION	DATE	DWN	APVD
			A	RELEASED	6-16-05	CT	RG

COMPONENT	MATERIAL	FINISH
HOUSING	BERYLLIUM COPPER PER ASTM-B-196	.000030 MIN GOLD PER ASTM-B-488 OVER .000050 MIN NICKEL PER AMS-QQ-N-290
DIELECTRIC	PTFE FLUORCARBON PER ASTM-D-1710	-
CENTER CONTACT	BERYLLIUM COPPER PER ASTM-B-196	.000050 MIN GOLD PER ASTM-B-488 OVER .000050 MIN NICKEL PER AMS-QQ-N-290

ELECTRICAL	
NORMAL IMPEDANCE (OHMS):	50
FREQUENCY RANGE (GHz):	DC TO 50
VSWR:	1.3 MAX AT 50 GHz
I.R. (MEGOHMS MIN):	5,000



1757256-1
PART NUMBER

THIS DRAWING IS A CONTROLLED DOCUMENT.		DWN C.C.THOMAS 3-31-05	tyco Electronics	Tyco Electronics Corporation Harrisburg, Pa 17105-3608													
DIMENSIONS: INCHES [mm]		CHK R.GROSS 3-31-05		NAME SMPM FEMALE BULLET ADAPTER													
TOLERANCES UNLESS OTHERWISE SPECIFIED:		APVD R.GROSS 3-31-05	PRODUCT SPEC -														
<table border="0"> <tr><td>0 PLC</td><td>± -</td></tr> <tr><td>1 PLC</td><td>± -</td></tr> <tr><td>2 PLC</td><td>± -</td></tr> <tr><td>3 PLC</td><td>± .005 [0.13]</td></tr> <tr><td>4 PLC</td><td>± -</td></tr> <tr><td>ANGLES</td><td>± 1°</td></tr> </table>		0 PLC	± -	1 PLC	± -	2 PLC	± -	3 PLC	± .005 [0.13]	4 PLC	± -	ANGLES	± 1°	APPLICATION SPEC -		SIZE A3	CAGE CODE 00779
0 PLC	± -																
1 PLC	± -																
2 PLC	± -																
3 PLC	± .005 [0.13]																
4 PLC	± -																
ANGLES	± 1°																
MATERIAL SEE TABLE	FINISH SEE TABLE	WEIGHT -	DRAWING NO C-1757256		RESTRICTED TO -												
CUSTOMER DRAWING			SCALE 10:1	SHEET 1 OF 1	REV A												

Mouser Electronics

Authorized Distributor

Click to View Pricing, Inventory, Delivery & Lifecycle Information:

[TE Connectivity:](#)

[1757256-1](#)