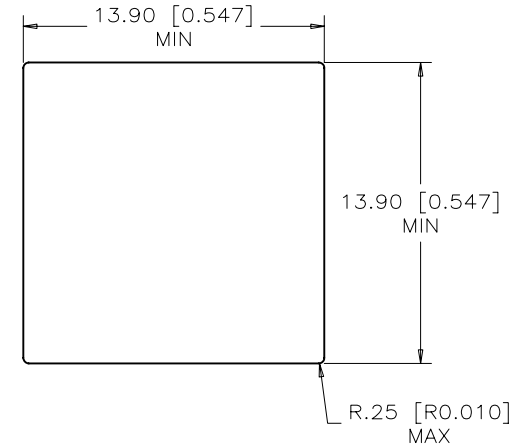
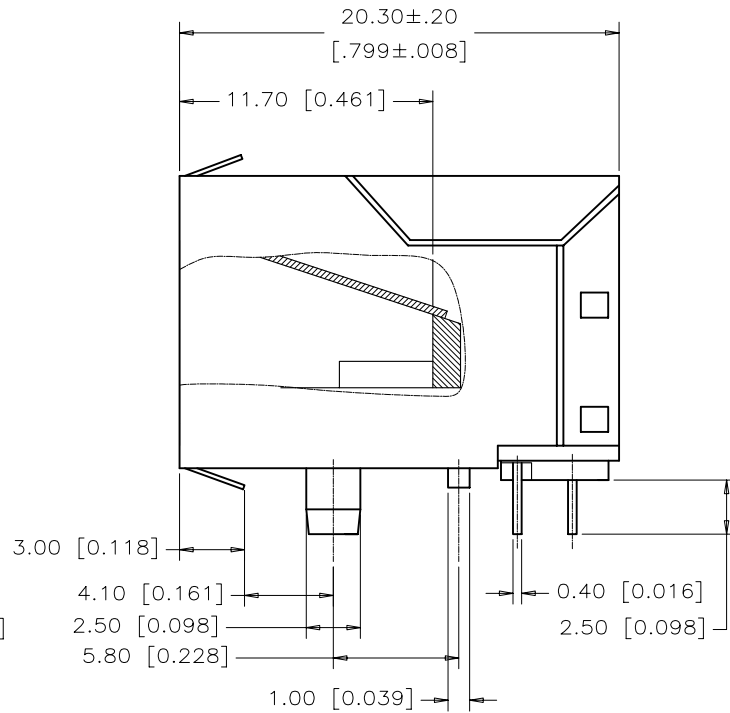
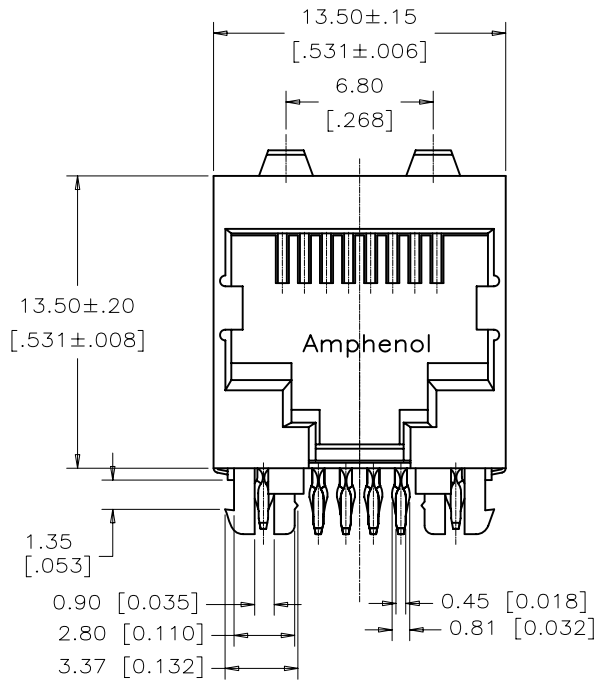


REVISIONS				
SYM	ZONE	ECN, ERN NO.	DATE	APPRD.
E		POPROSAL	OCT 21/08	L.CHAN
F		POPROSAL	NOV 7/08	L.CHAN
G		POPROSAL	DEC 1/08	L.CHAN



RECOMMENDED PANEL CUTOUT



1. MATERIALS:

PLASTIC HOUSING: ENGINEERING THERMOPLASTIC  
FLAMMABILITY RATING UL94V-0  
COLOR: BLACK

CONTACTS:  
PLATING:

PHOSPHOR BRONZE  
GOLD PLATED PER PART NUMBER OPTION  
ON MATING SURFACE  
50 μ" [1.27 MICRONS] MIN. NICKEL UNDERPLATE.  
100 μ" [2.54 MICRONS] MIN. TIN-LEAD  
ON CONTACT TAILS.

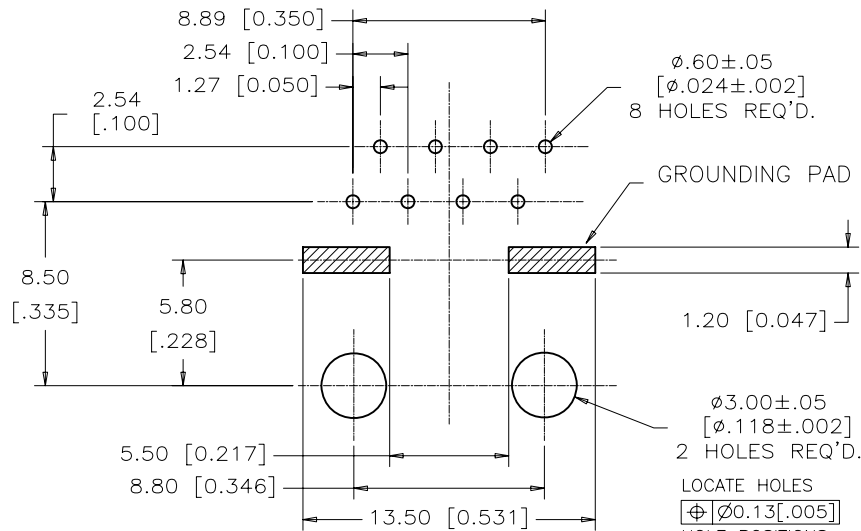
SHIELD:

STAINLESS STEEL.

2. THE REMOVAL FORCE OF PRESS FIT CONTACT SHOULD BE IN RANGE OF 10N PER PIN.

PART NUMBER: RJE56-188-1X10

GOLD PLATING  
1 = 6 MICROINCH  
2 = 15 MICROINCH  
3 = 30 MICROINCH  
4 = 50 MICROINCH



RECOMMENDED P.C.B LAYOUT (COMPONENT SIDE OF BOARD)

DRAWN	J.OUYANG	DATE	OCT 5/07
DESIGNED			
CHECKED	L.CHAN		OCT 5/07
I. E. APPRD.	JEFF.S		OCT 5/07
Q. A. APPRD.	BORIS		OCT 5/07
DWG. APPRD.			
ENG. REL. NO.	ECN E07361	DWG	DRAWING NO.
REF.	EAR #A070910		P-RJE56-188-1X10
DIMENSIONS ARE IN		CODE ID. NO.	
mm [INCH]		03554	

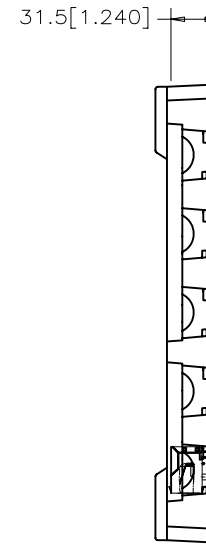
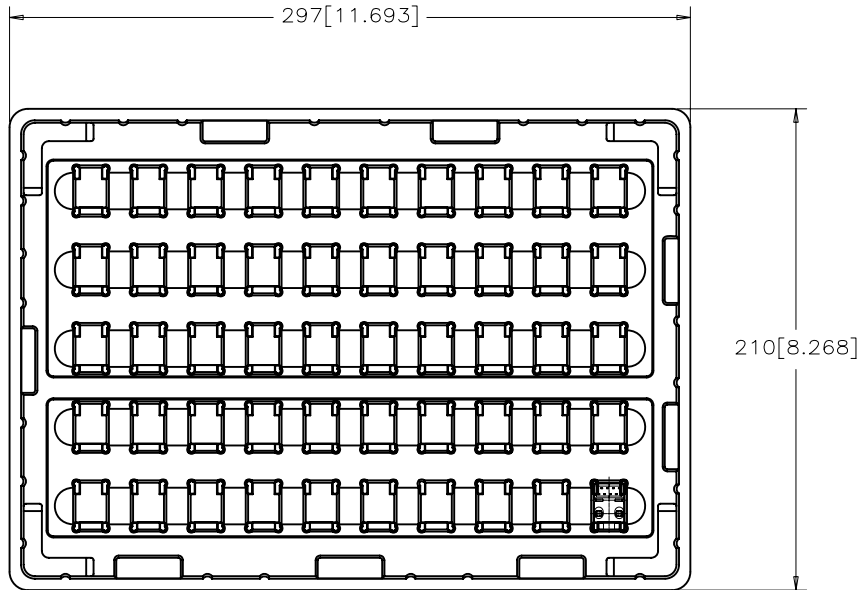
Amphenol Canada Corp.

TITLE RJE56 SERIES ,  
8 POSITION, 8 CONTACTS,  
WITH SHIELD - RoHS COMPLIANT

SCALE	WT. -----	SURF. -----	SHEET 1 OF 2
-------	-----------	-------------	--------------

THIS DOCUMENT CONTAINS PROPRIETARY INFORMATION AND SUCH INFORMATION MAY NOT BE DISCLOSED TO OTHERS FOR ANY PURPOSE OR USED FOR MANUFACTURING PURPOSES WITHOUT WRITTEN PERMISSION FROM AMPHENOL CANADA CORP.

REVISIONS				
SYM	ZONE	ECN, ERN NO.	DATE	APPRD.
E		POPROSAL	OCT 21/08	L.CHAN
F		POPROSAL	NOV 7/08	L.CHAN
G		POPROSAL	DEC 1/08	L.CHAN



PACKAGING NOTES:

- ONE TRAY SHOULD HOLD 50 CONNECTORS.
- A FULLY LOADED CARTON SHOULD CONTAIN 10 TRAY (500 PCS) OF CONNECTORS.

DRAWN	J.OUYANG	DATE	OCT 5/07	Amphenol Canada Corp.	
DESIGNED					
CHECKED	L.CHAN	OCT 5/07			
I. E. APPRD.	JEFF.S	OCT 5/07			
Q. A. APPRD.	BORIS	OCT 5/07			
DWG. APPRD.				TITLE	RJE56 SERIES , 8 POSITION, 8 CONTACTS, WITH SHIELD - RoHS COMPLIANT
ENG. REL. NO.	ECN E07361	DWG	DRAWING NO.	P-RJE56-188-1X10	REV.
REF.	EAR #A070910				G
DIMENSIONS ARE IN		CODE ID. NO.	03554	SCALE	WT. ----- SURF. ----- SHEET 2 OF 2
mm [INCH]					

THIS DOCUMENT CONTAINS PROPRIETARY INFORMATION AND SUCH INFORMATION MAY NOT BE DISCLOSED TO OTHERS FOR ANY PURPOSE OR USED FOR MANUFACTURING PURPOSES WITHOUT WRITTEN PERMISSION FROM AMPHENOL CANADA CORP.