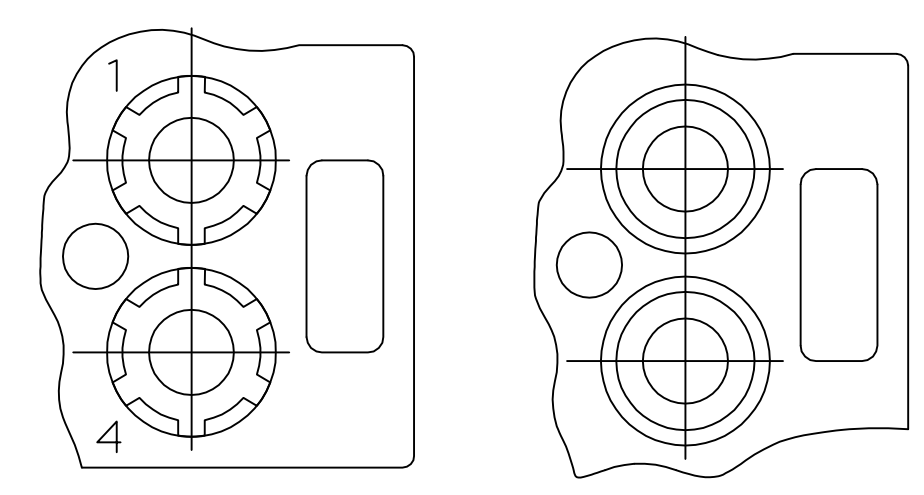
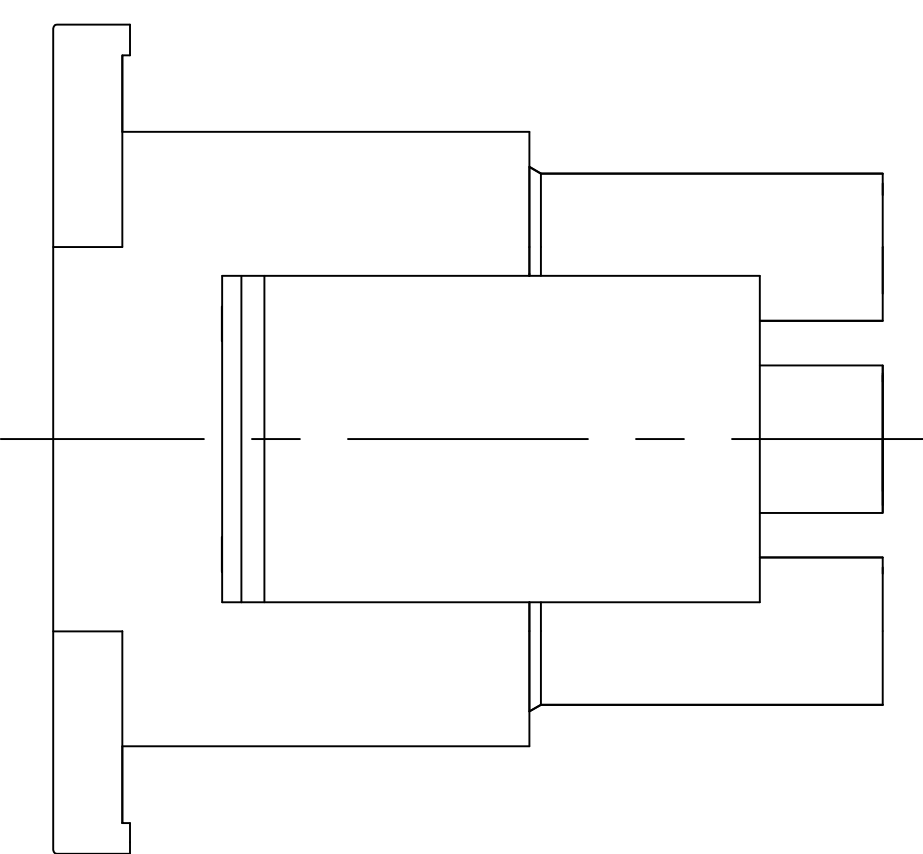
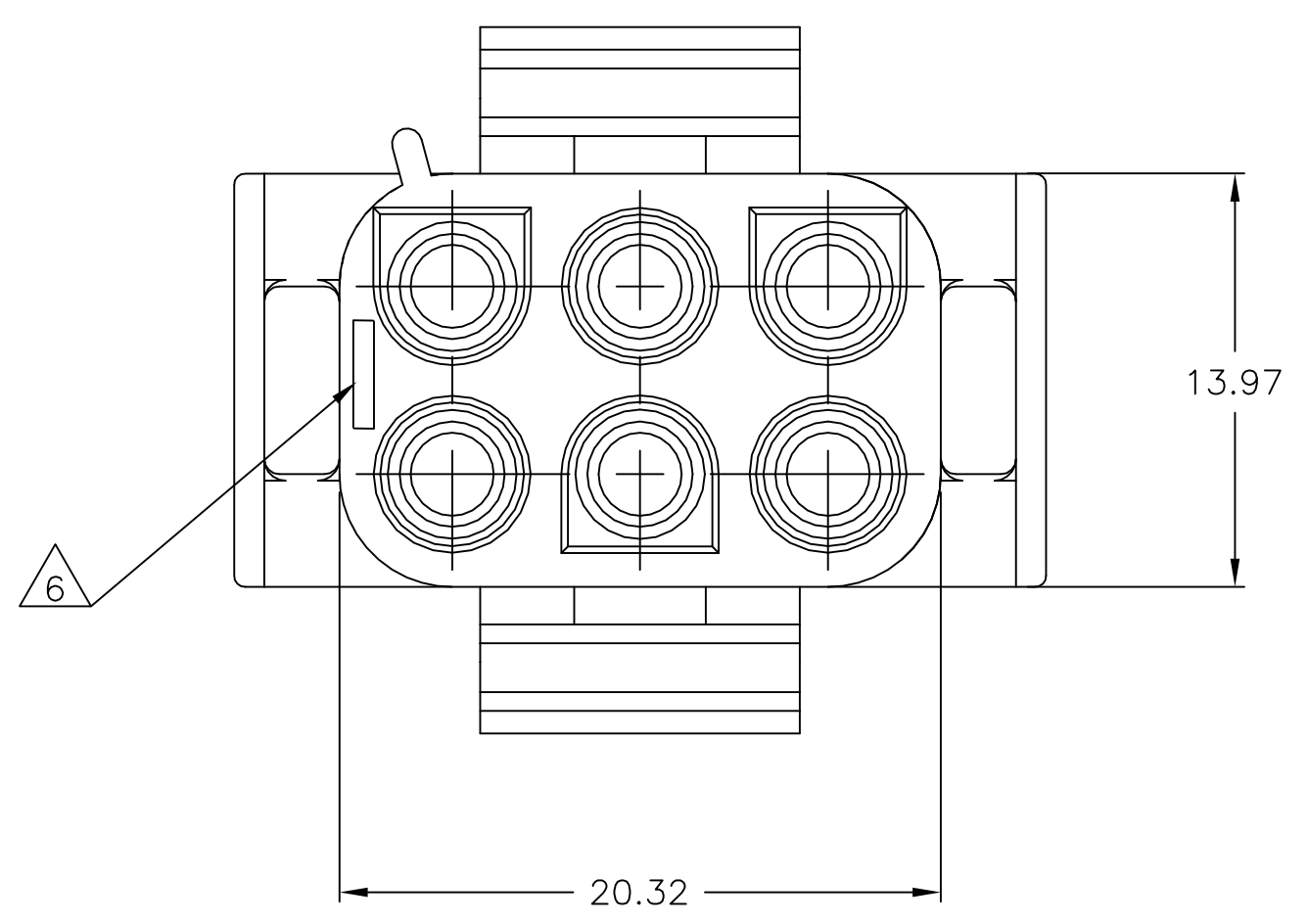
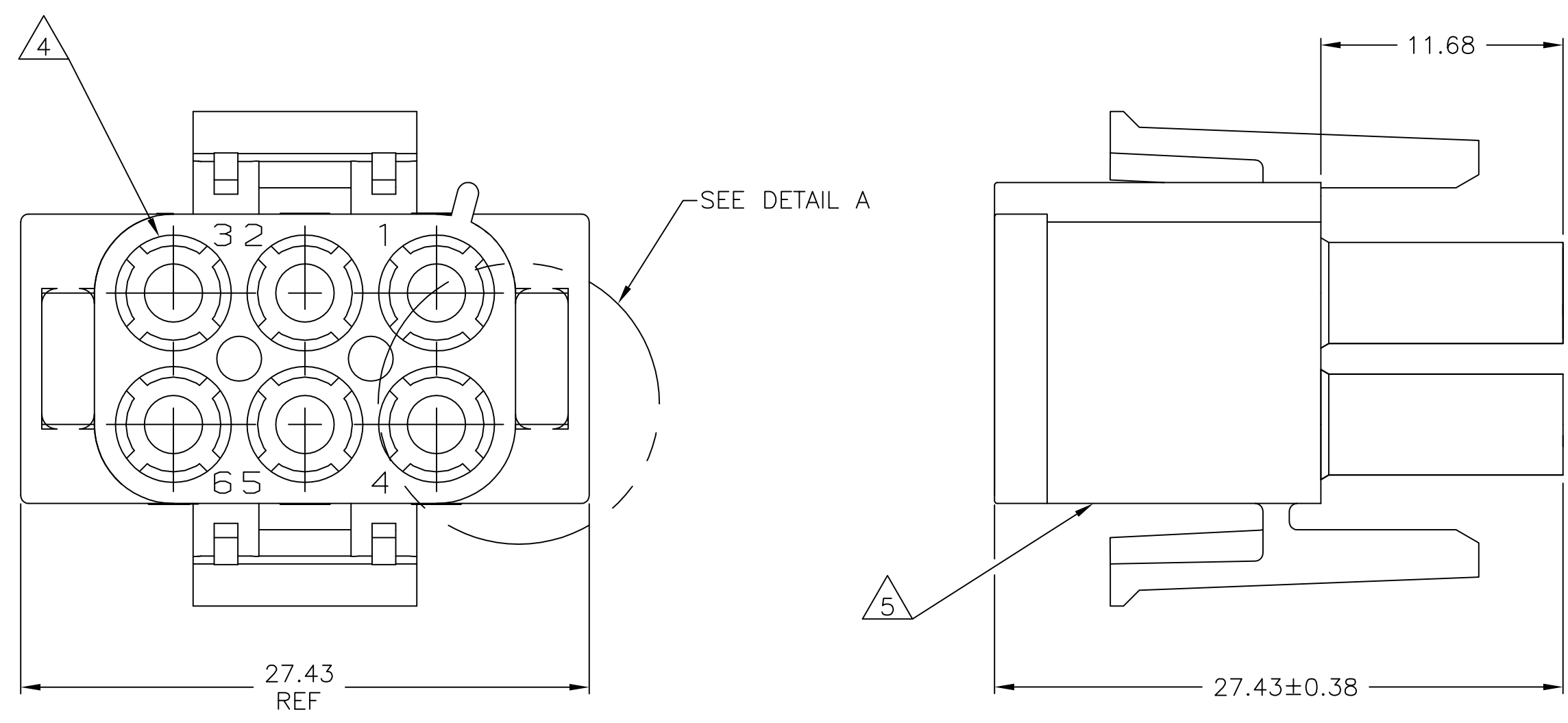


REVISIONS				
P	LTR	DESCRIPTION	DATE	DWN / APVD
B1		REVISED PER ECR-17-015449	26OCT2017	BDA KR

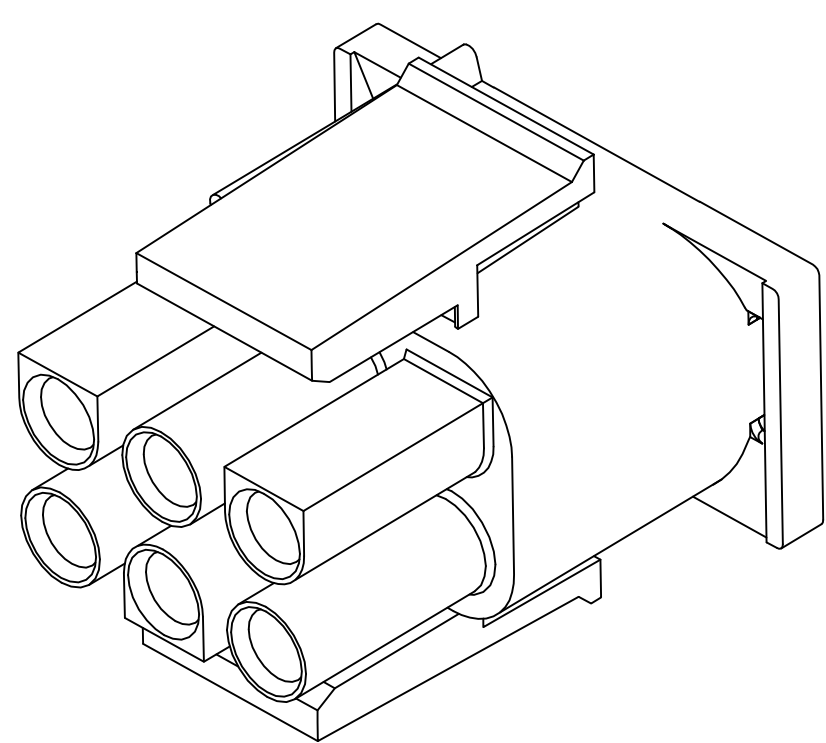


DETAIL A
 OPTIONAL CONSTRUCTIONS

- MATES WITH APPROPRIATE UNIVERSAL MATE-N-LOK™ CAP OR HEADER.
- SMALL NICKS ARE PERMITTED ON THE CIRCUIT TOWERS WHICH COULD INCREASE THE INITIAL HOUSING MATING FORCE BY UP TO 4.4 NEWTONS [1.0 LBS]. NO INDIVIDUAL NICKED TOWER SHALL INCREASE THIS FORCE BY OVER 2.2 NEWTONS [.5 LBS].
- MANUFACTURING LOCATION ID ON SIDE OF HOUSING (OPTIONAL).
- △ FOUR RIBS EQUALLY SPACED, NO SPECIFIC ORIENTATION. NO RIBS OR SIX RIBS EQUALLY SPACED, NO SPECIFIC ORIENTATION, OPTIONAL.
- △ UNDERWRITERS RECOGNIZED COMPONENT LOGO AND CSA CERTIFICATION LOGO TO BE LOCATED ONCE EACH ON SIDE OF HOUSING.
- △ TRADEMARK LOCATION (AMP OR TYCO).
- FLAMMABILITY V2 FOR THICKNESS 0.38mm, 1.5mm, and 3.0mm PER IEC 60695-11-10.
- GLOW-WIRE FLAMMABILITY (GWFI) 800°C FOR THICKNESS 0.38mm AND 0.75mm PER IEC 60695-2-12.
- GLOW-WIRE FLAMMABILITY (GWFI) 960°C FOR THICKNESS 1.5mm AND 3.0mm PER IEC 60695-2-12.
- GLOW-WIRE IGNITION (GWIT) 825°C FOR THICKNESS 0.38mm, 0.75mm, 1.5mm AND 3.0mm PER IEC 60695-2-13.
- DIMENSIONS SHOWN REPRESENT PRODUCT IN DRY, AS MOLDED, CONDITION. ADDITIONAL 2% GROWTH DUE TO SUBSEQUENT MOISTURE ABSORPTION MAY OCCUR AND SHOULD BE ACCOUNTED FOR.

MM	IN
27.43	1.080
20.32	.800
13.97	.550
11.68	.460
3	.118
0.4	.016
0.38	.015
0.13	.005
MM	IN

CONVERSION TABLE
 4805 (1/15)



3-DIMENSIONAL MODEL
 NTS

THIS DRAWING IS A CONTROLLED DOCUMENT.		DWN K. WHITAKER 22MAY2007	NATURAL 1586846-1	
		CHK D. COLEY 22MAY2007	COLOR PART NUMBER	
DIMENSIONS: mm		APVD D. COLEY 22MAY2007	TE Connectivity	
TOLERANCES UNLESS OTHERWISE SPECIFIED: 0 PLC ± - 1 PLC ± - 2 PLC ± 0.13 3 PLC ± - 4 PLC ± - ANGLES ± 0°30'		NAME	PLUG, 6 CIRCUIT, UNIVERSAL MATE-N-LOK(TM)	
MATERIAL NYLON,UL 94V-2		FINISH -	SIZE A1	CAGE CODE 00779
		DRAWING NO 1586846	RESTRICTED TO	
		WEIGHT	CUSTOMER DRAWING	
		SCALE 4:1	SHEET 1 of 1	REV B1

Mouser Electronics

Authorized Distributor

Click to View Pricing, Inventory, Delivery & Lifecycle Information:

[TE Connectivity:](#)

[1586846-1](#)