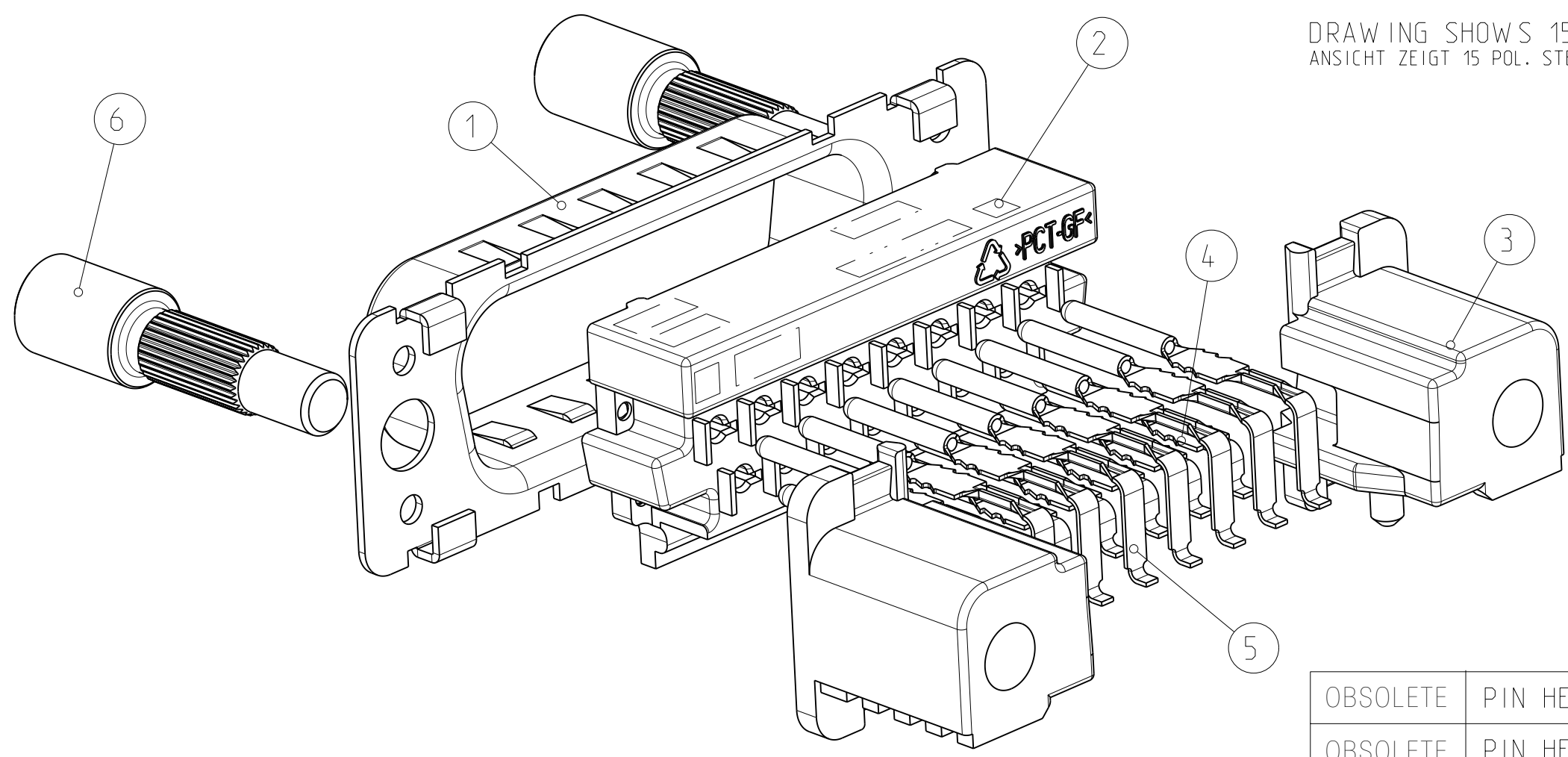
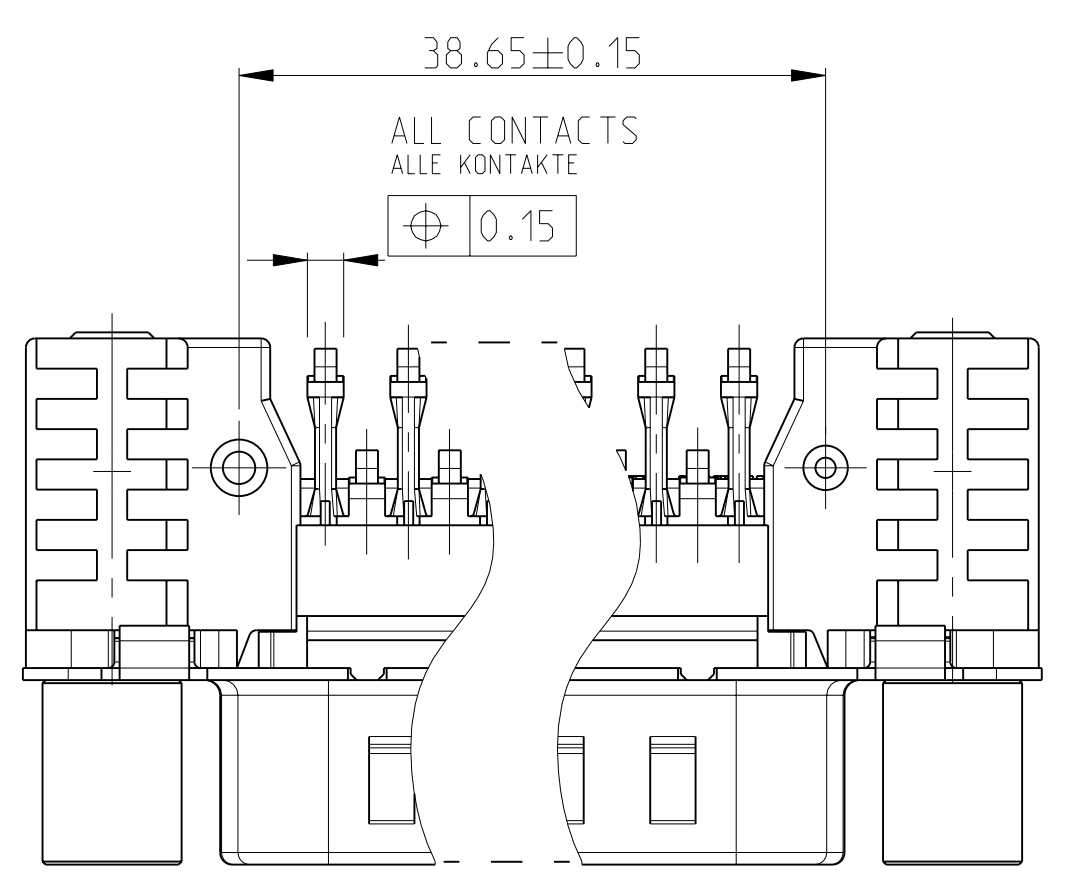
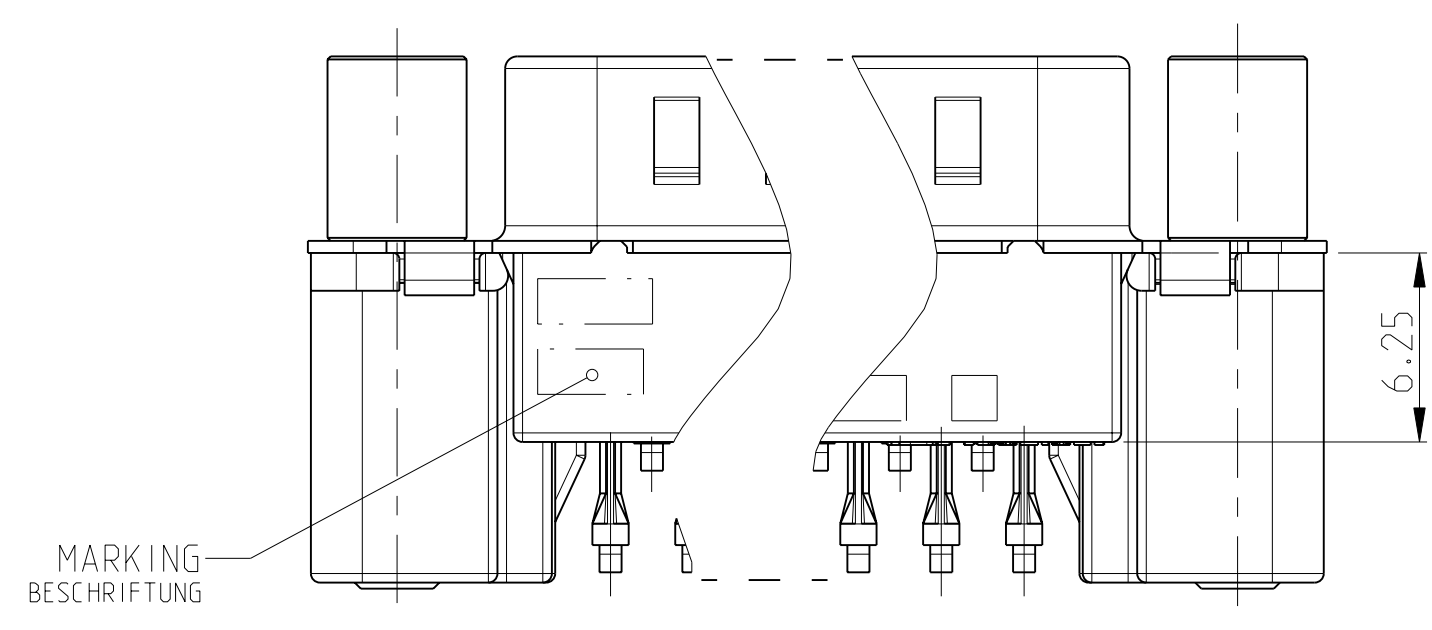
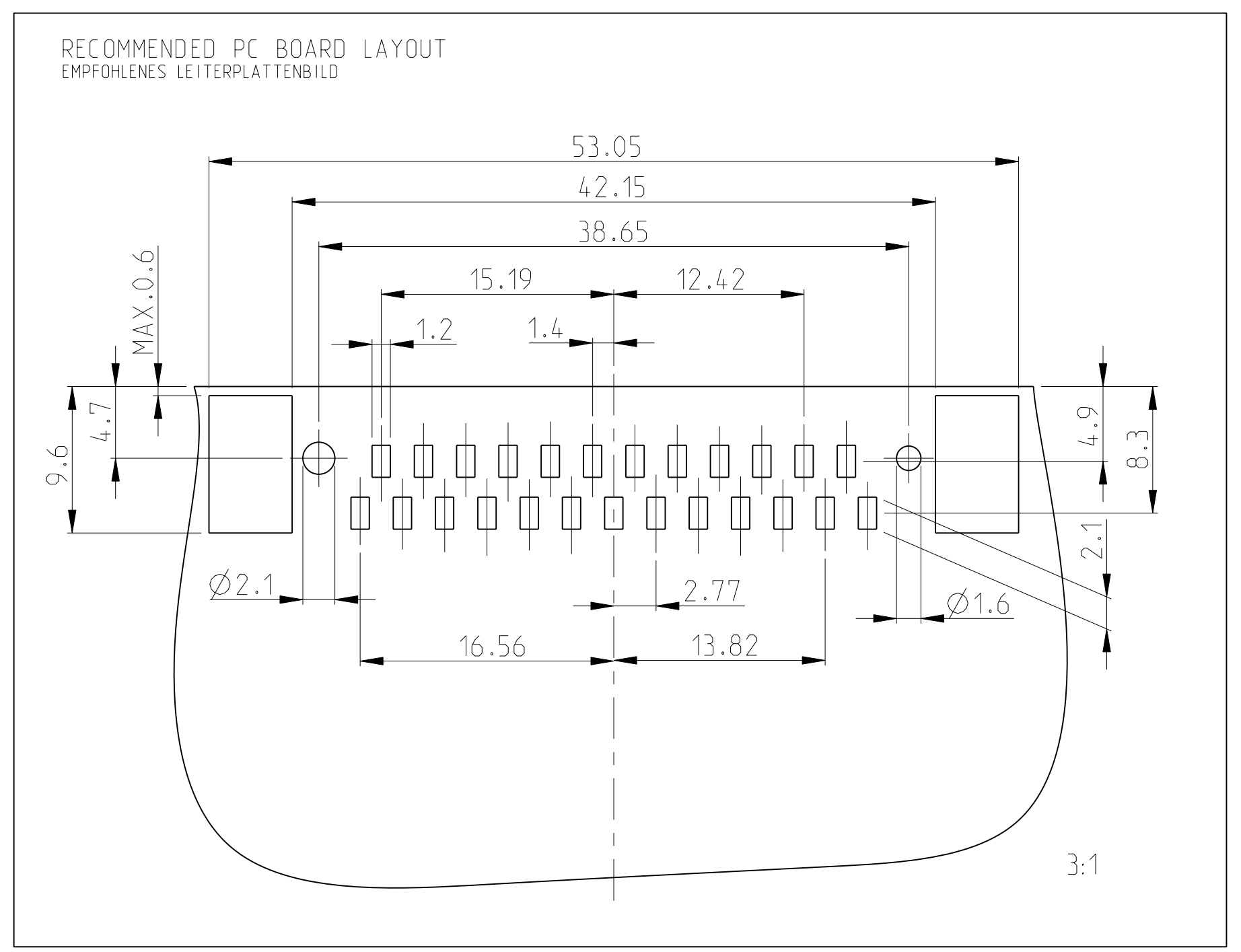
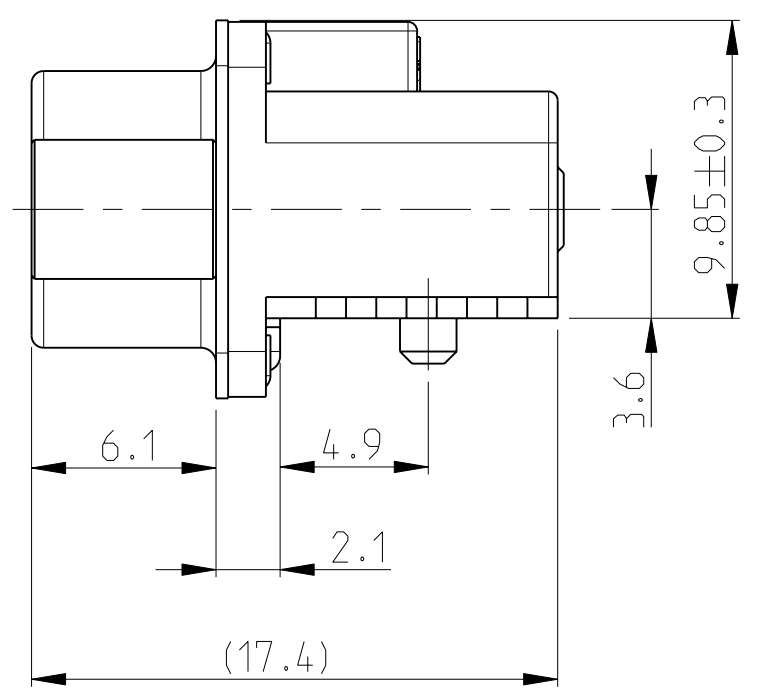
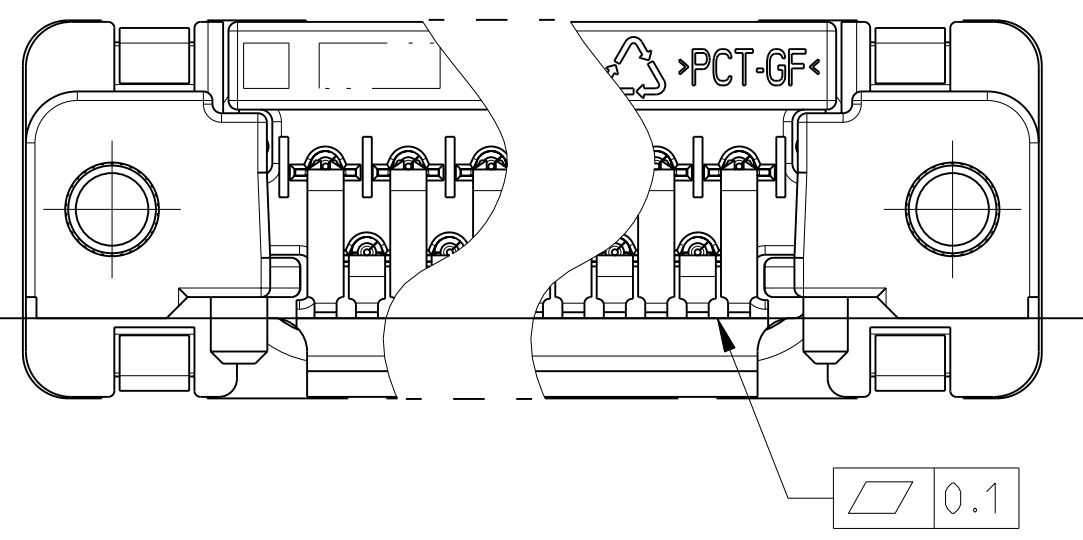


LOC	DIST	REV	DATE	BY	CHKD	APVD
A1	-					
PROJECT NO. EGMND 2028		C1	PCN-10-001404	06APR2010	-	-
		D	ECR-10-012464	29SEP10	RK	KMA
		E	REVISED PER ECO-12-000073	29FEB2012	CJV	SLB



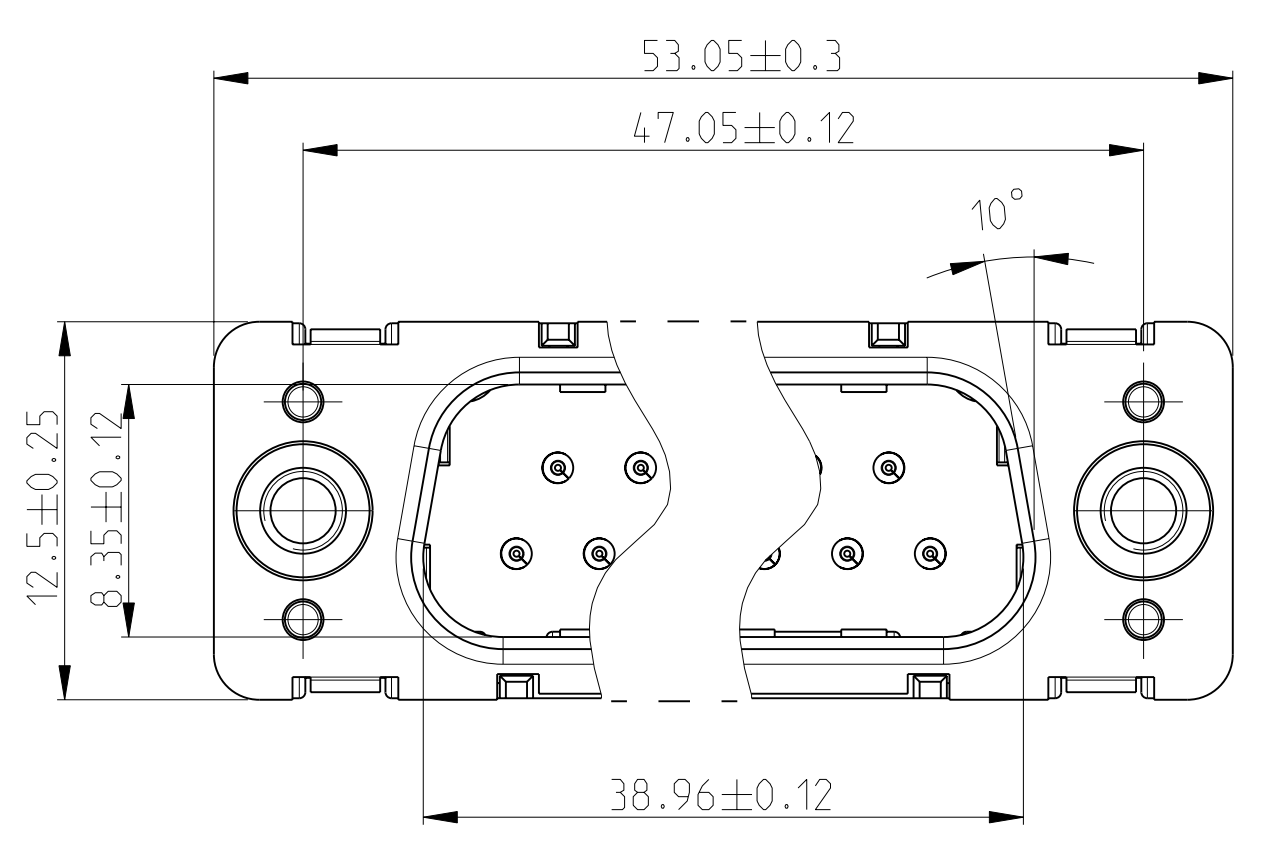
DRAWING SHOWS 15 POS. CONNECTOR
 ANSICHT ZEIGT 15 POL. STECKER

OBSOLETE	PIN HEADER, 25 POS., STUD WITH THREAD M3	4-1740199-2	4-1740199-5
OBSOLETE	PIN HEADER, 25 POS., BRACKET WITH THREAD M3	2-1740199-2	2-1740199-5
	PIN HEADER, 25 POS., STUD WITH THREAD UNC 4-40	3-1740199-2	3-1740199-5
	PIN HEADER, 25 POS., BRACKET WITH THREAD UNC 4-40	1-1740199-2	1-1740199-5
OBSOLETE	PIN HEADER, 25 POS., BRACKET WITH HOLE Ø3.1	0-1740199-2	0-1740199-5
	DESCRIPTION	SHELL PLATING: TIN OVER NI	SHELL PLATING: Ni



- REMARKS:
- ⚠ CONTACT AREA: min. 0.8 µm Au OVER 1.27 µm Ni. SOLDER AREA: 3-5 µm Sn OVER min. 1.27 µm Ni
 - 2 PACKAGING SEE SHEET 2
 - 3 CONNECTOR SUITABLE TO LEAD-FREE SMT SOLDER PROCESS
 - ⚠ TIN OVER NICKEL

- BEMERKUNGEN:
- ⚠ KONTAKTBEREICH: min. 0.8 µm Au UEBER 1.27 µm Ni. LOETBEREICH: 3-5 µm Sn UEBER min. 1.27 µm Ni
 - 2 VERPACKUNGSART SIEHE BLATT 2
 - 3 STECKER GEEIGNET FUER BLEIFREIES LOETEN
 - ⚠ ZINN UEBER NICKEL



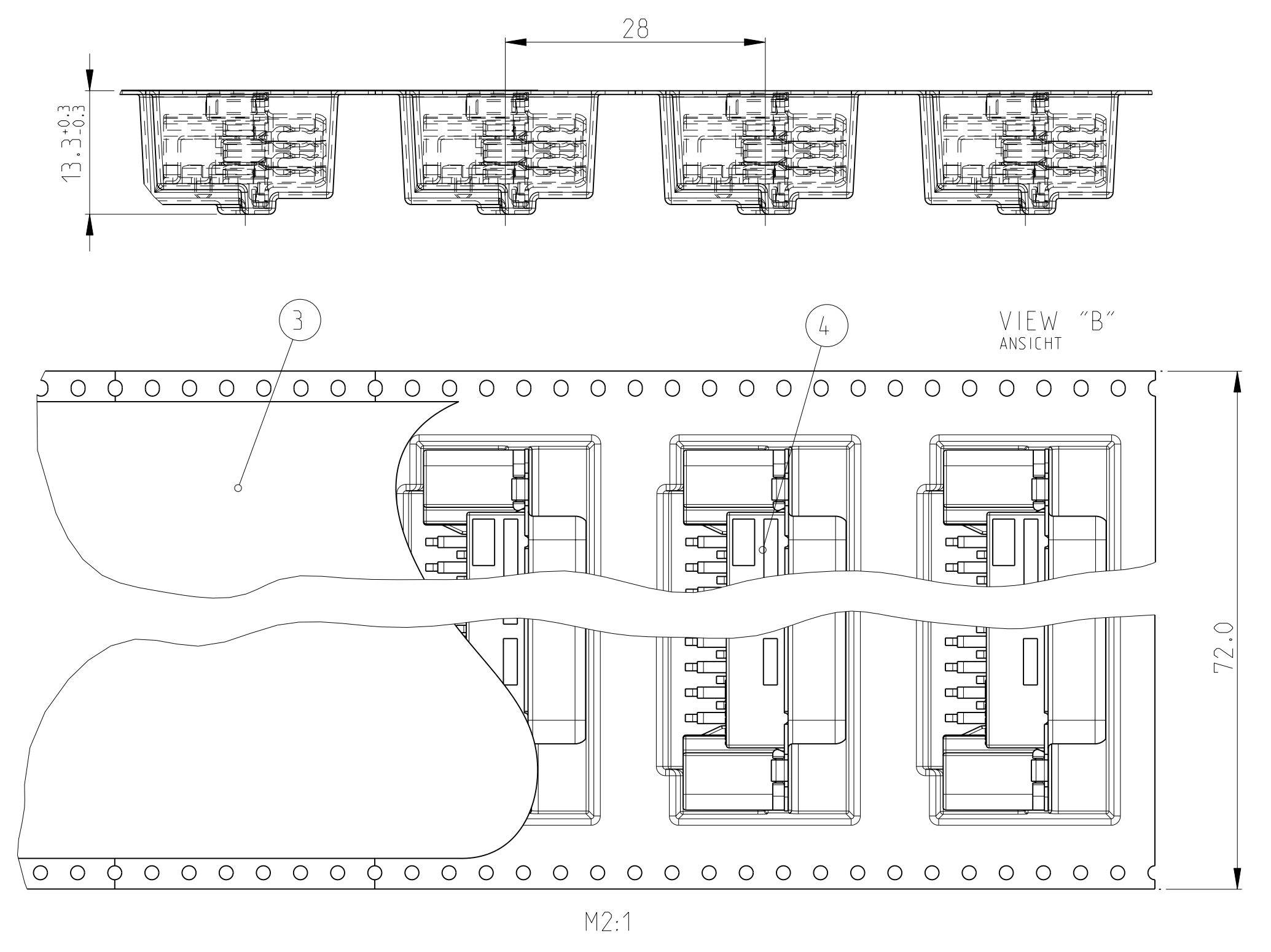
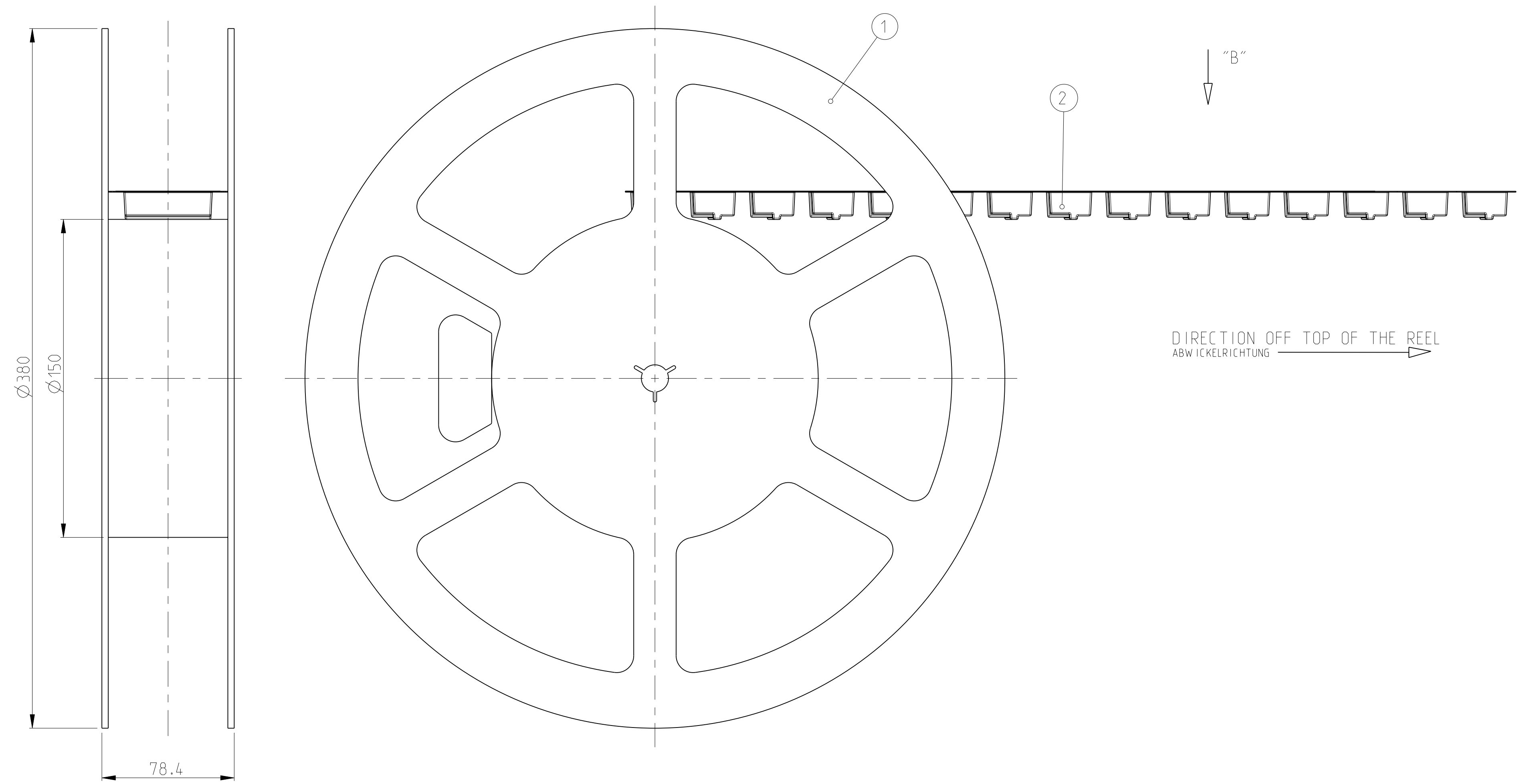
POS.	QTY.	DESCRIPTION BENENNUNG	SURFACE OBERFLAECHE COLOUR/FARBE	MATERIAL
6	2	THREAD STUD GEWINDEBOLZEN	NICKEL NICKEL	STEEL STAHL
5	13	PIN CONTACT, SMD, LONG STIFTKONTAKT, SMD, LANG	⚠	CuMg
4	12	PIN CONTACT, SMD, SHORT STIFTKONTAKT, SMD, KURZ	⚠	CuMg
3	2	BRACKET, SMD, LEFT/RIGHT W INKELSTUECK, SMD, LINKS/RECHTS	⚠	CAST METAL DRUCKGUSS
2	1	PIN HOUSING STIFTGEHAUSE	BLACK SCHWARZ	PCT-GF
1	1	SHELL SCHIRMBLECH	SEE TABLE SIEHE TABELLE	STEEL STAHL

DIMENSIONS	TOLERANCES, UNLESS OTHERWISE SPECIFIED:	NAME	DATE
MASSENHEITEN: mm	ALLGEMEINTOLERANZEN	L. SCHLUETER	30NOV2004
0 PLC ±	0.2	C. FELDMEIER	01DEC2004
1 PLC ±			
2 PLC ±			
3 PLC ±			
4 PLC ±			
5 PLC ±			
6 PLC ±			
7 PLC ±			
8 PLC ±			
9 PLC ±			
10 PLC ±			
11 PLC ±			
12 PLC ±			
13 PLC ±			
14 PLC ±			
15 PLC ±			
16 PLC ±			
17 PLC ±			
18 PLC ±			
19 PLC ±			
20 PLC ±			
21 PLC ±			
22 PLC ±			
23 PLC ±			
24 PLC ±			
25 PLC ±			

REV	DATE	BY	CHKD	APVD
1	00779	A1		

LOC	DIST	REV	DATE	BY	APPV
A1	-	1	-	-	-

REV	DATE	BY	APPV
-	-	-	-



- REMARKS:
- COVER TAPE WITH BLISTER BELT WELDED OR PASTED
 - BLISTER BELT, COVER AND TAPE ACC. TO DIN/IEC 286 PART 3
 - FIRST AND LAST RUNNING OF THE CARRIER TAPE ACC. TO DIN/IEC 286 PART 3
 - 6.4m BLISTERBELT AND 6.5m COVER TAPE, 200 LOOSE PIECE PARTS

- BEMERKUNGEN:
- ABDECKBAND MIT BLISTERGURT VERSCHWEISST ODER VERKLEBT
 - BLISTERGURT, ABDECKBAND UND REEL NACH DIN/IEC 286 TEIL 3
 - VOR- UND NACHLAUF AM BLISTERGURT NACH DIN/IEC 286 TEIL 3
 - 6.4m BLISTERGURT UND 6.5m ABDECKBAND, 200 EINZELTEILE

4-1740199-5	3-1740199-5	2-1740199-5	1-1740199-5	0-1740199-5
OBSOLETE	OBSOLETE	OBSOLETE	OBSOLETE	OBSOLETE

TE ORDER NO. BESTELL-NR.	POS.	QTY	UNIT	DESCRIPTION	SURFACE OBERFLAECHE COLOUR/FARBE	MATERIAL		
1740199	4	200	-	SUB-D PIN HEADER, 25 POS., STUD M3	-	-		
	4	-	200	SUB-D STIFTSTECKER, 25 POL., BOLZEN M3	-	-		
	4	-	200	SUB-D PIN HEADER, 25 POS., STUD UNC4-40	-	-		
	4	-	-	SUB-D STIFTSTECKER, 25 POL., BOLZEN UNC4-40	-	-		
	4	-	-	SUB-D PIN HEADER, 25 POS., M3	-	-		
	4	-	-	SUB-D STIFTSTECKER, 25 POL., UNC4-40	-	-		
3	6.5m	6.5m	6.5m	6.5m	6.5m	COVER BELT FOR BLISTER BELT	TRANSPARENT	PET
2	6.4m	6.4m	6.4m	6.4m	6.4m	BLISTER BELT	GREY/BLACK	PS
1	1	1	1	1	1	REEL	GREY	PS

DIMENSIONS: mm 	TOLERANCES UNLESS OTHERWISE SPECIFIED: 0 PLC ± 1 PLC ± 2 PLC ± 3 PLC ± 4 PLC ± ANGLES °	FINISH: SEE TABLE S-TABELLE	DWN: 30NOV2004 CHK: M.SCHAARSCHMIDT APVD: G.FELDMEIER NAME: HDP20 PIN HEADER, SMT, 25 POS. HDP20 STIFTLAECHE, SMT, 25 POL. EUROSTYLE SIZE: 00779 CAGE CODE: 1740199 SCALE: 5:1 SHEET: 2 OF 2 REV: E	Tyco Electronics AMP GmbH 64625 Bensheim (Germany)
--------------------	---	-----------------------------	---	---

Mouser Electronics

Authorized Distributor

Click to View Pricing, Inventory, Delivery & Lifecycle Information:

[TE Connectivity:](#)

[3-1740199-2](#)