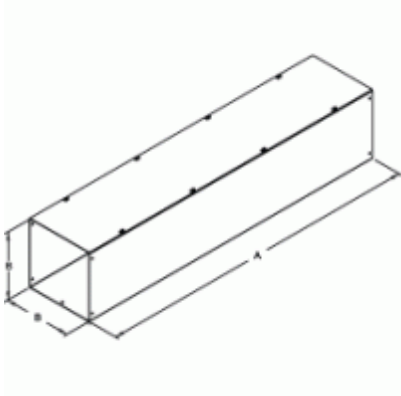




Quality Products. Service Excellence.

Type 1 Lay In Screw Cover Wireway - w/o Knockouts *CWSC NK Series*



| A=12" | A=18" | A=24" | A=36" | A=48" | Size |
|------------|-----------|------------|------------|------------|-----------|
| CWSC212NK | - | CWSC224NK | CWSC236NK | CWSC248NK | 2.5 x 2.5 |
| CWSC412NK | CWSC418NK | CWSC424NK | CWSC436NK | CWSC448NK | 4 x 4 |
| CWSC612NK | CWSC618NK | CWSC624NK | CWSC636NK | CWSC648NK | 6 x 6 |
| CWSC812NK | CWSC818NK | CWSC824NK | CWSC836NK | CWSC848NK | 8 x 8 |
| CWSC1012NK | - | CWSC1024NK | CWSC1036NK | CWSC1048NK | 10 x 10 |
| CWSC1212NK | - | CWSC1224NK | CWSC1236NK | CWSC1248NK | 12 x 12 |

| A=60" | A=72" | A=96" | A=120" | Size |
|------------|------------|------------|-------------|-----------|
| CWSC260NK | - | - | CWSC2120NK | 2.5 x 2.5 |
| CWSC460NK | CWSC472NK | - | CWSC4120NK | 4 x 4 |
| CWSC660NK | CWSC672NK | - | CWSC6120NK | 6 x 6 |
| CWSC860NK | CWSC872NK | - | CWSC8120NK | 8 x 8 |
| CWSC1060NK | CWSC1072NK | CWSC1096NK | CWSC10120NK | 10 x 10 |
| CWSC1260NK | CWSC1272NK | CWSC1296NK | CWSC12120NK | 12 x 12 |

Data subject to change without notice

© 2020. Hammond Manufacturing Ltd. All rights reserved.

Mouser Electronics

Authorized Distributor

Click to View Pricing, Inventory, Delivery & Lifecycle Information:

Hammond:

[CWSC10120NK](#) [CWSC1012NK](#) [CWSC1024NK](#) [CWSC1036NK](#) [CWSC1048NK](#) [CWSC1060NK](#) [CWSC1072NK](#)
[CWSC12120NK](#) [CWSC1212NK](#) [CWSC1224NK](#) [CWSC1236NK](#) [CWSC1248NK](#) [CWSC1260NK](#) [CWSC2120NK](#)
[CWSC212NK](#) [CWSC224NK](#) [CWSC236NK](#) [CWSC248NK](#) [CWSC260NK](#) [CWSC4120NK](#) [CWSC412NK](#)
[CWSC418NK](#) [CWSC424NK](#) [CWSC448NK](#) [CWSC460NK](#) [CWSC472NK](#) [CWSC6120NK](#) [CWSC612NK](#)
[CWSC618NK](#) [CWSC624NK](#) [CWSC636NK](#) [CWSC648NK](#) [CWSC660NK](#) [CWSC672NK](#) [CWSC8120NK](#)
[CWSC812NK](#) [CWSC818NK](#) [CWSC824NK](#) [CWSC836NK](#) [CWSC848NK](#) [CWSC860NK](#) [CWSC872NK](#)