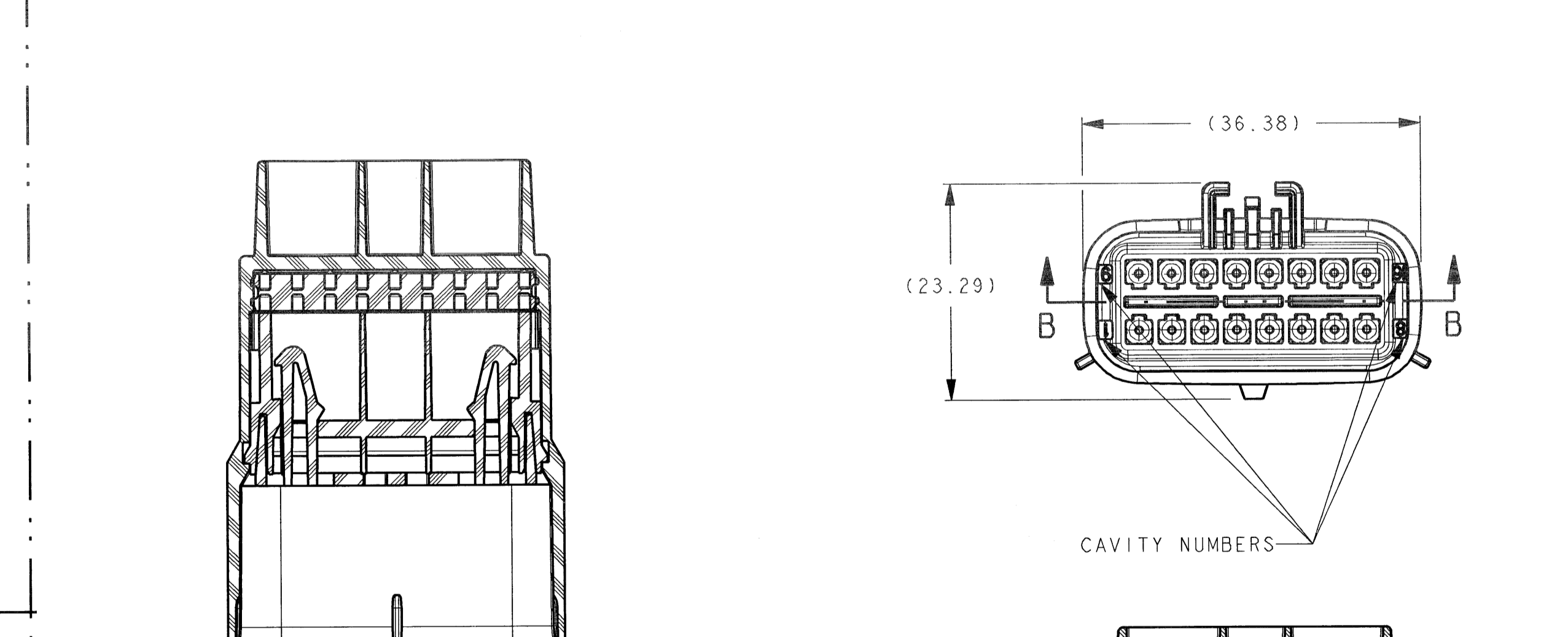
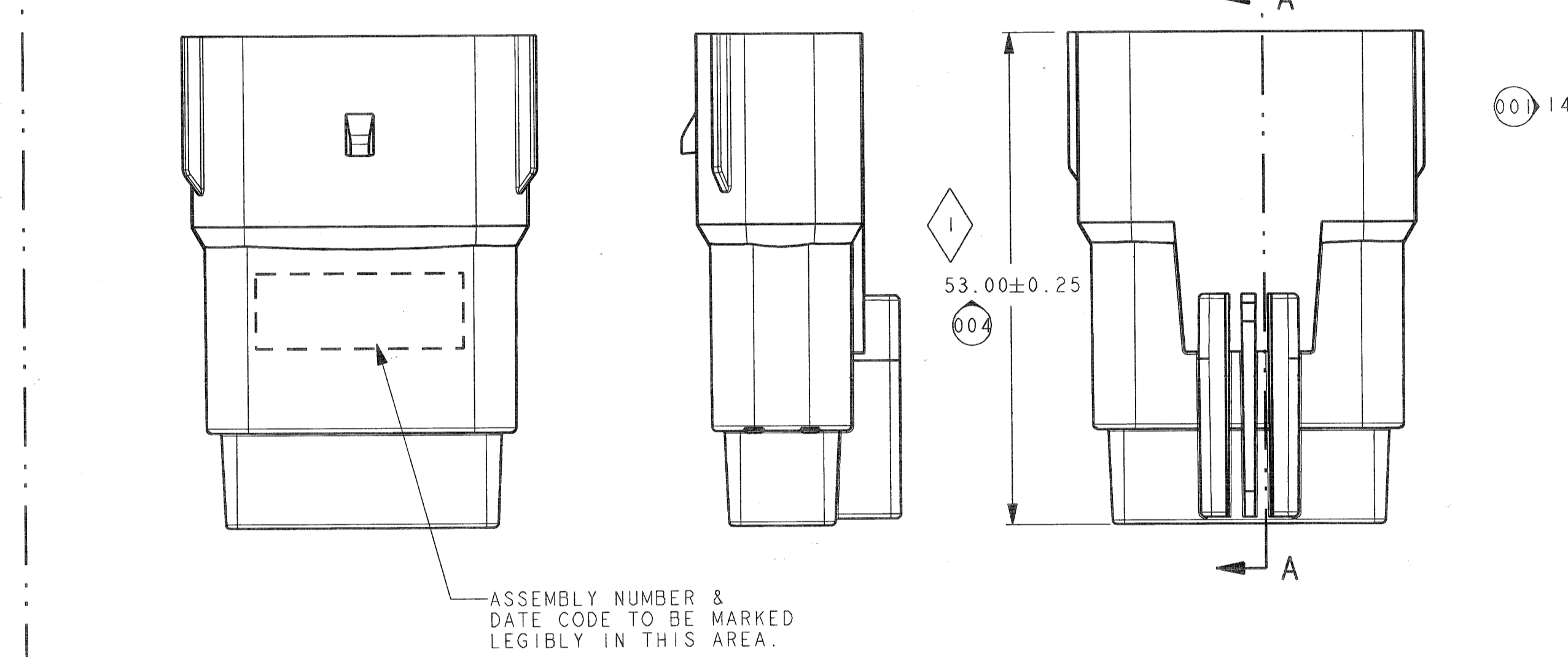
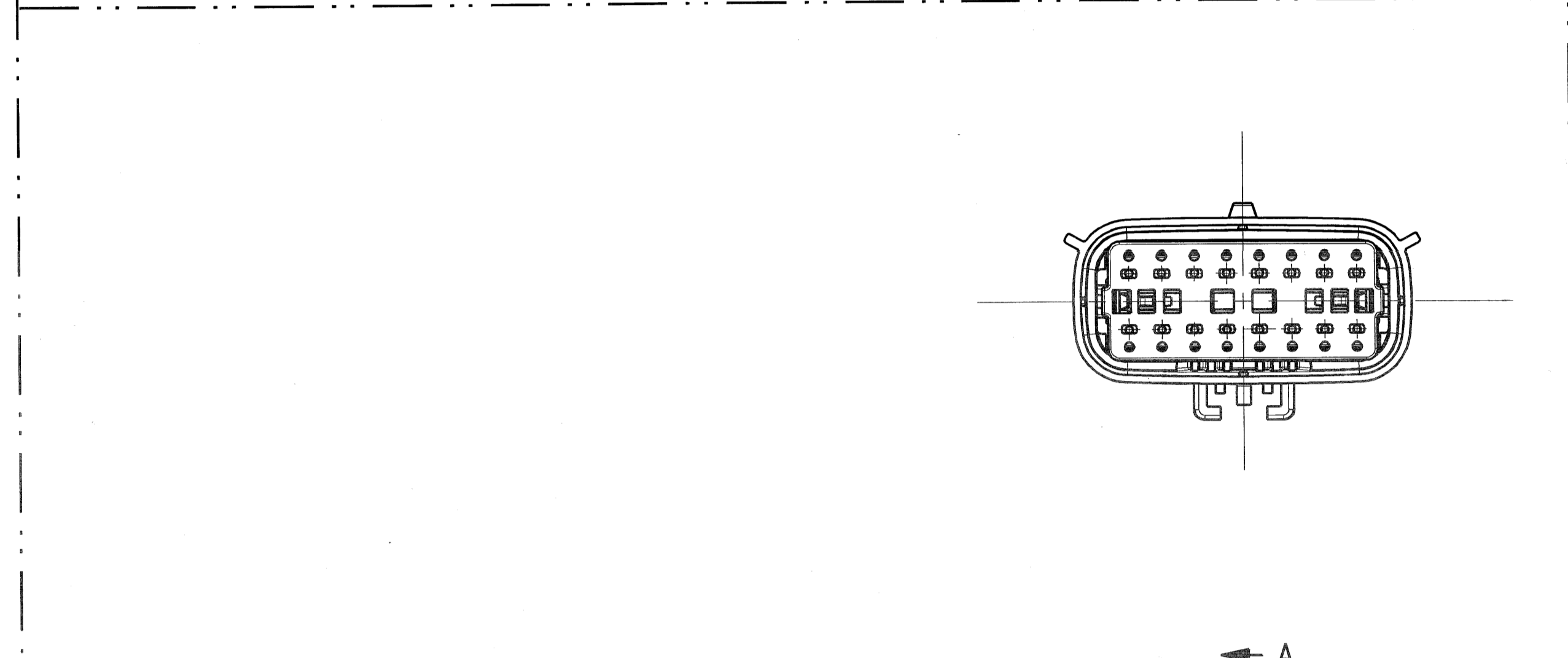
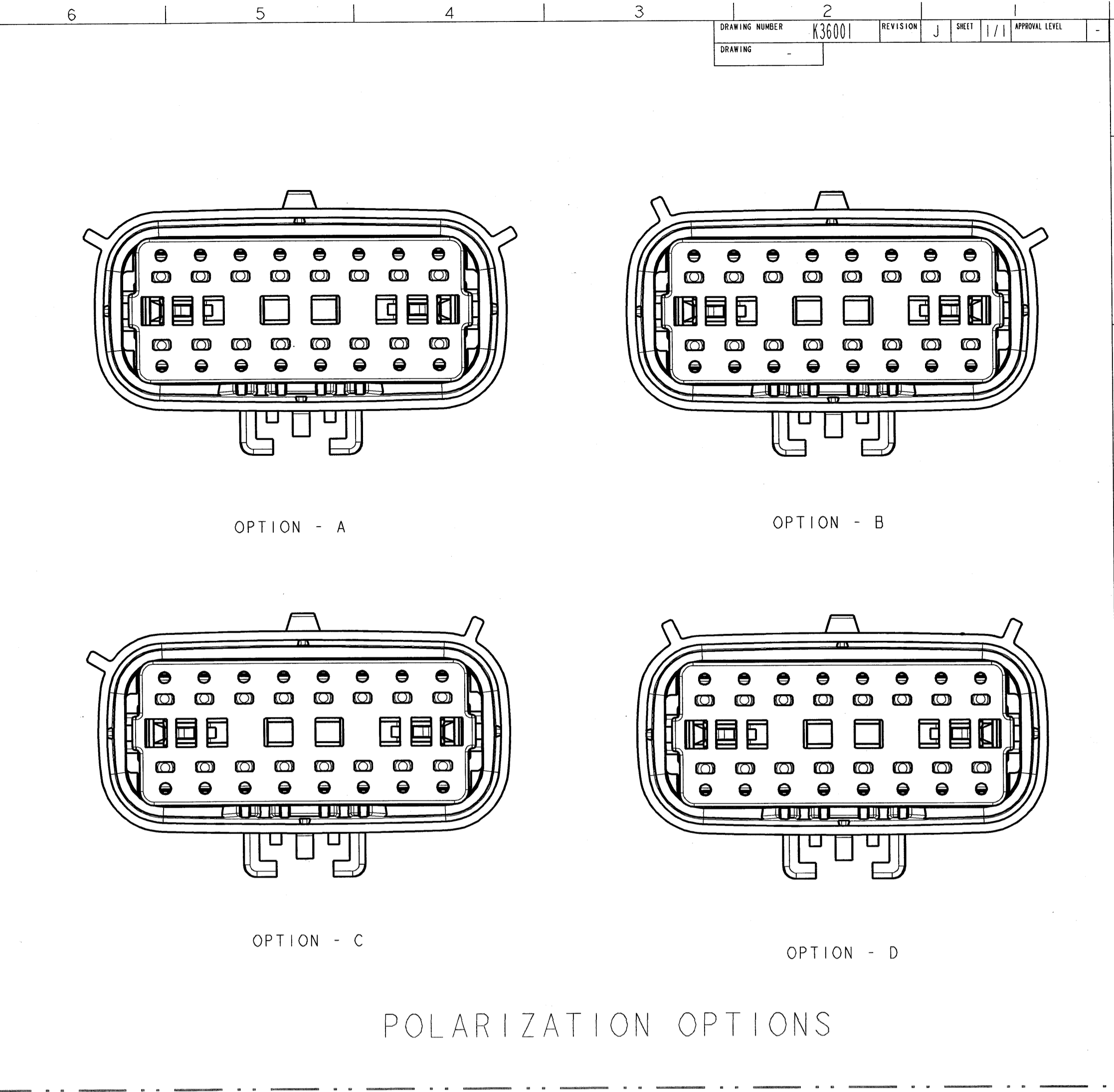
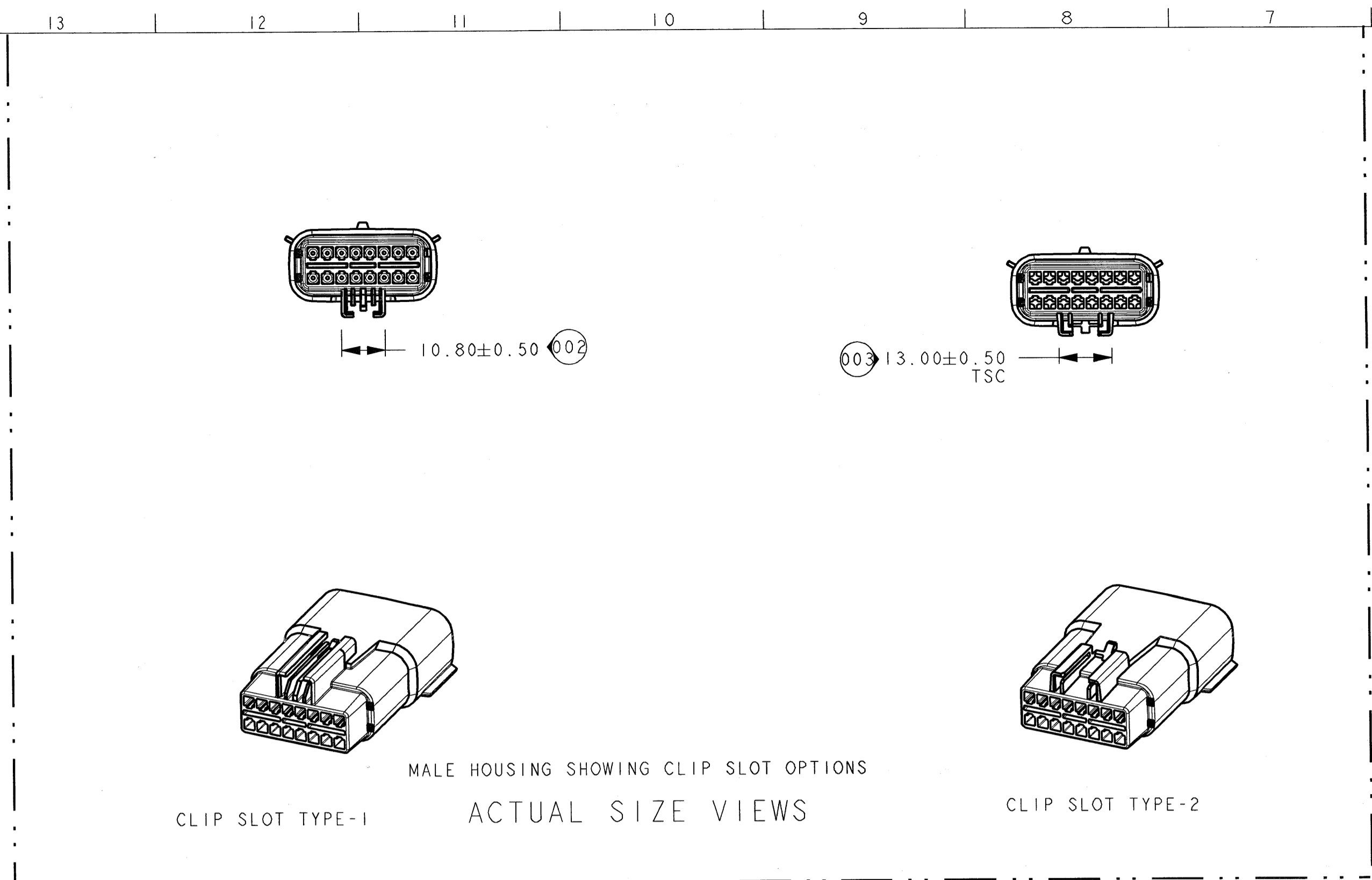
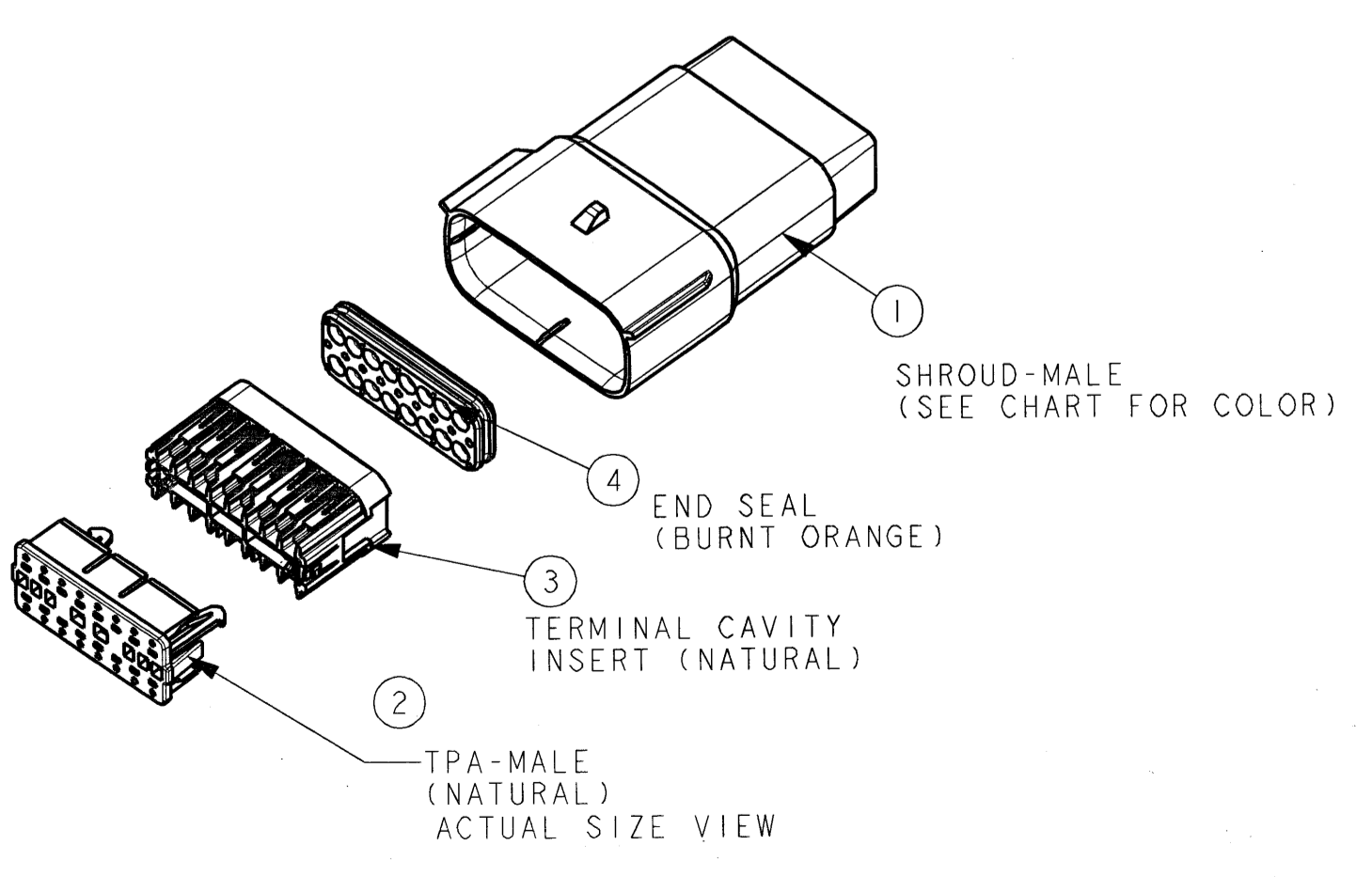


Assembly Numbers	PCL	Key Option	Color	Slot	Components			Plugged (X) Seal Positions																Total Circuits	Test Method	Mates With Assembly (Reference Only)				
					TPA	TCl	Mat Seal	1	2	3	4	5	6	7	8	9	10	11	12	13	14	15	16							
54241600	C	A	Black	1	54241658																							54241630	54241630N	
54241601	C	B	Grey	1	54241659																							54241631	54241631N	
54241602	C	C	Brown	1	54241660																							54241632	54241632N	
54241603	C	D	Green	1	54241661																							54241633	54241633N	
54241604	C	A	Black	2	54241662																							54241630	54241630N	
54241605	C	B	Grey	2	54241663																							54241631	54241631N	
54241606	C	C	Brown	2	54241664																							54241632	54241632N	
54241607	C	D	Green	2	54241665																							54241633	54241633N	
54241608	C	A	Black	1	54241650																							54241634	54241634N	
54241609	C	B	Grey	1	54241651																							54241635	54241635N	
54241610	C	A	Black	2	54241654																							54241634	54241634N	
54241611	C	B	Grey	2	54241655																							54241635	54241635N	
54241612	C	A	Black	1	54241650																							54241636	54241636N	
54241613	C	B	Grey	1	54241651																							54241637	54241637N	
54241614	C	A	Black	2	54241654																							54241636	54241636N	
54241615	C	B	Grey	2	54241655																							54241637	54241637N	
54241616	C	A	Black	1	54241650																							54241638	54241638N	
54241617	C	B	Grey	1	54241651																							54241639	54241639N	
54241618	C	A	Black	2	54241654																							54241638	54241638N	
54241619	C	B	Grey	2	54241655																							54241639	54241639N	
54241620	C	A	Black	1	54241650	54241684	54241685	54241689																				54241639	54241639N	
54241621	C	B	Grey	1	54241651																								54241640	54241640N
54241622	C	A	Black	2	54241654																							54241641	54241641N	
54241623	C	B	Grey	2	54241655																							54241640	54241640N	
54241624	F																											54241641	54241641N	
54241625	F																											54241642	54241642N	
54241626	F																											54241643	54241643N	
54241627	G																											54241644	54241644N	
54241628	G																													
55241606	G																													
55241607	G																													
55241608	G																													
55241609	H																													
55241610	H																													
55241611	H	A	Black	2	54241654																									
55241612	H																													
55241613	H																													
55241614	H																													
F845100	A																													
F896100	A																													



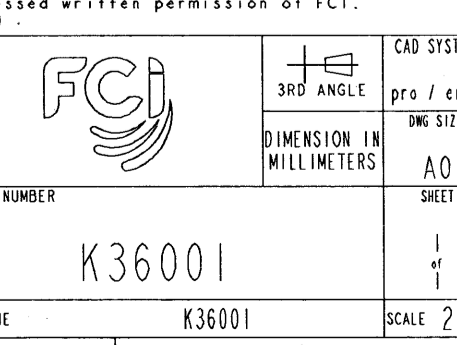
RECOMMENDED COMPONENTS			
FCI PART NUMBER	ITEM DESCRIPTION	PLATING	GRIP SIZE
54001626	APEX 150 TERMINAL	TIN	16, 18
54002001	APEX 150 TERMINAL	TIN	20, 22
54001628	APEX 150 TERMINAL	GOLD	16, 18
54002003	APEX 150 TERMINAL	GOLD	20, 22
54241629	APEX 150 UNIVERSAL SEAL PLUG	-	-



- NOTES:
- 1) MAXIMUM TEMPERATURE CLASS: CLASS 3 (125°C)
 - 2) TEST METHOD PER: SAE/USCAR-2 REV-4 SAE/USCAR-20 REV-2
 - 3) CONNECTOR MAY BE USED WITH THE FOLLOWING RANGE OF WIRE SIZES/TYPES: - SIZE: 22 GAGE - 16 GAGE - 1.50mm MIN O.D. TO 2.41mm MAX O.D. - TYPE: TPL (MIL123-A /MS-8288) - CONTACT FCI ENGINEERING REGARDING USE OF OTHER WIRE TYPES AND/OR SIZES
 - 4) CONNECTOR MAY BE USED WITH THE FOLLOWING TERMINALS: - FCI APEX 150 WITH WIRE SIZES DEFINED IN NOTE 3. - SEE FCI DRAWING 454009 FOR SPECIFIC PART NUMBERS AND CRIMPING REQUIREMENTS. - CONTACT FCI ENGINEERING REGARDING USE OF COMPATIBLE NON FCI TERMINALS
 - 5) ANNUAL QUALITY REQUIREMENTS: IT IS PERMISSIBLE TO PERFORM CONTINUOUS CONFORMANCE PER FCI SPECIFICATION #AQA-001 INSTEAD OF ANNUAL LAYOUT AND ANNUAL PV REQUIREMENTS OF QS-9000 SECTION 2 AND SAE/USCAR-2 REV-4.
 - 6) QUALITY ASSURANCE REQUIREMENTS SPC DATA, REQUIRED

REV	DATE	BY	CHKD	APP'D	DESCRIPTION
00166	02/14/08	J			ADDED F896100 AND F896100 (AT PCL A)
10005	11/12/07	H			REVISED NOTES 3 & 4
9913	10/01/07	G			ADDED PART NUMBERS 54241621 - 54241628
9485	01/10/07	F			ADDED PART NUMBERS 54241624 - 54241626
8533	05/25/06	E			REVISED DRAWING LAYOUT
8228	12/12/05	D			REVISED "MARKED" NOTE
7883	12/02/05	C			REVISED "MARKED" NOTE
6034	03/15/04	B			ADDED COLOR CALLOUT TO EXPLODED VIEW
6212	04/16/04	A			ADDED NOTES

REV	DATE	BY	CHKD	APP'D	DESCRIPTION
00166	02/14/08	J			ADDED F896100 AND F896100 (AT PCL A)
10005	11/12/07	H			REVISED NOTES 3 & 4
9913	10/01/07	G			ADDED PART NUMBERS 54241621 - 54241628
9485	01/10/07	F			ADDED PART NUMBERS 54241624 - 54241626
8533	05/25/06	E			REVISED DRAWING LAYOUT
8228	12/12/05	D			REVISED "MARKED" NOTE
7883	12/02/05	C			REVISED "MARKED" NOTE
6034	03/15/04	B			ADDED COLOR CALLOUT TO EXPLODED VIEW
6212	04/16/04	A			ADDED NOTES



Mouser Electronics

Authorized Distributor

Click to View Pricing, Inventory, Delivery & Lifecycle Information:

[Aptiv:](#)

[54241600](#) [54241601](#) [54241602](#) [54241602-B](#) [54241603-B](#) [54241603](#) [54241604](#) [54241601-B](#) [54241600-B](#)
[54241627](#) [54241627-B](#) [54241604-B](#)

[Delphi Connection Systems:](#)

[54241612](#) [54241614](#)