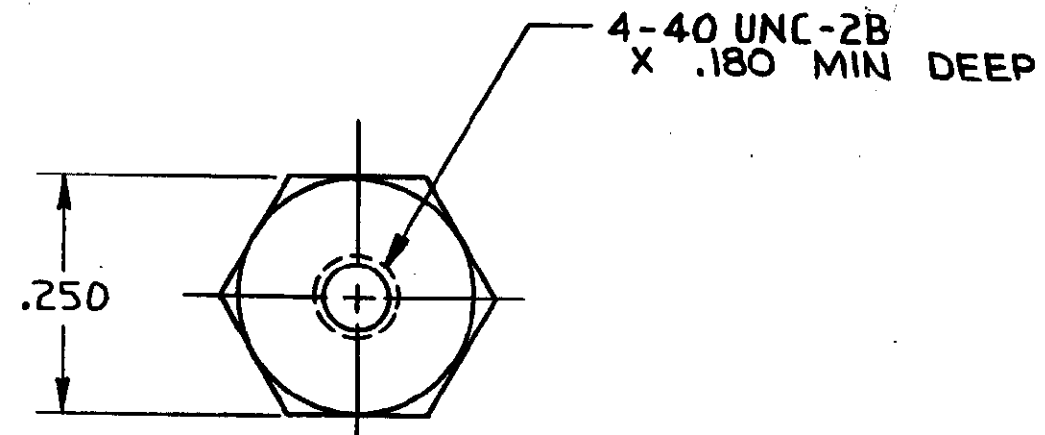
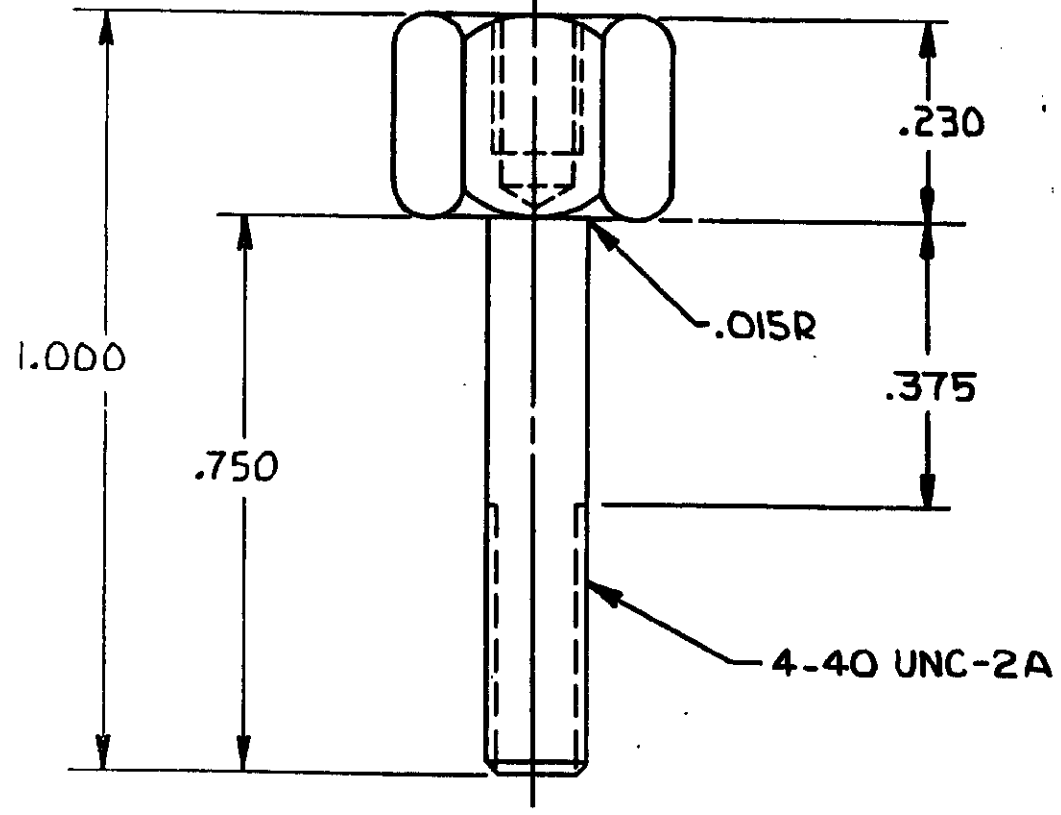


© COPYRIGHT 1976 BY AMP INCORPORATED, HARRISBURG, PA.
ALL INTERNATIONAL RIGHTS RESERVED. AMP INCORPORATED PRODUCTS
COVERED BY U. S. AND FOREIGN PATENTS AND/OR PATENTS PENDING.


| REVISIONS | | | | | | |
|-----------|---|------|-----|-----------------------|---------|----------|
| P | F | ZONE | LTR | DESCRIPTION | DATE | APPROVED |
| G | 1 | | H | REV PER ECO-13-000050 | 09JAN13 | P. RECCE |



1. ALL DIM. SHOWN ARE FOR REF ONLY.



552113-1 AS SHOWN

| | | | | | | |
|--|--|--|-----------------------------|--|--|------------------------|
| UNLESS OTHERWISE SPECIFIED DIMENSIONS ARE IN INCHES. TOLERANCES ON: DECIMALS ± .005 ANGLES ± H | | | CONTRACT NO | | PART NO | |
| MATERIAL BRASS | | | DR <i>Amey Holt</i> 5/23/78 | |  AMP INCORPORATED Harrisburg, Pa | |
| | | | CHK <i>RE Rauh</i> 6-1-78 | | | |
| FINISH NICKEL PLATE | | | APPD <i>Shleg</i> 6-2-78 | | NAME SCREW, MOUNTING, HEX HD | |
| | | | DSGN APPD | | SIZE B | CODE IDENT NO 00779 |
| | | | OTHER APPD | | SCALE 4/1 | SHEET 1 OF 1 |

CUSTOMER DRAWING

Mouser Electronics

Authorized Distributor

Click to View Pricing, Inventory, Delivery & Lifecycle Information:

[TE Connectivity:](#)

[552113-1](#)