

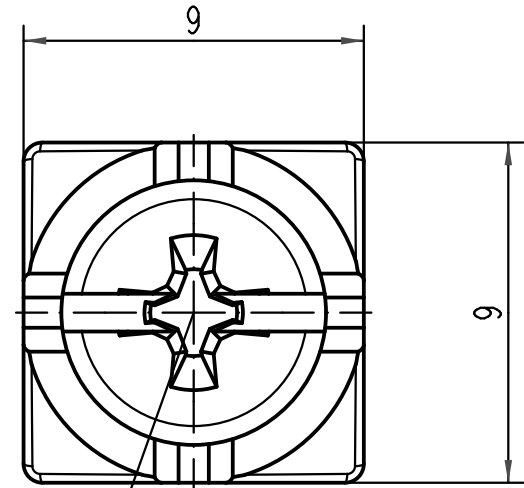
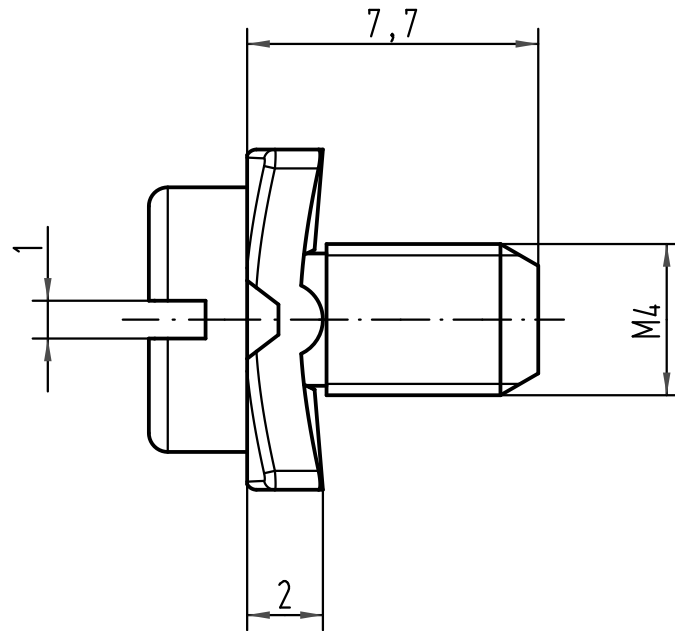
1 2 3 4 5 6

A

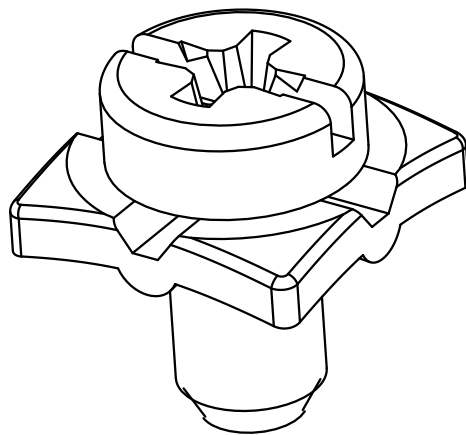
B

C

D



Kreuzschlitz H2/
Cross recess H2



All Dimensions in mm Original Size DIN A 4		Techn. Character.			Nicht tolerierte Maß/Free size tolerances	
			Dat.	Name	Maßstab/Scale 5:1	PE-Schraube PE-screw
			Detail.	06.11.07 Rull		
			Insp.	Sch		
			Stand.			
413214			HARTING Electric GmbH & Co. KG D-32339 Espelkamp			TB 09 33 000 9925
Mod.	Dat.	Name				

Mouser Electronics

Authorized Distributor

Click to View Pricing, Inventory, Delivery & Lifecycle Information:

[HARTING:](#)

[09330009925](#)